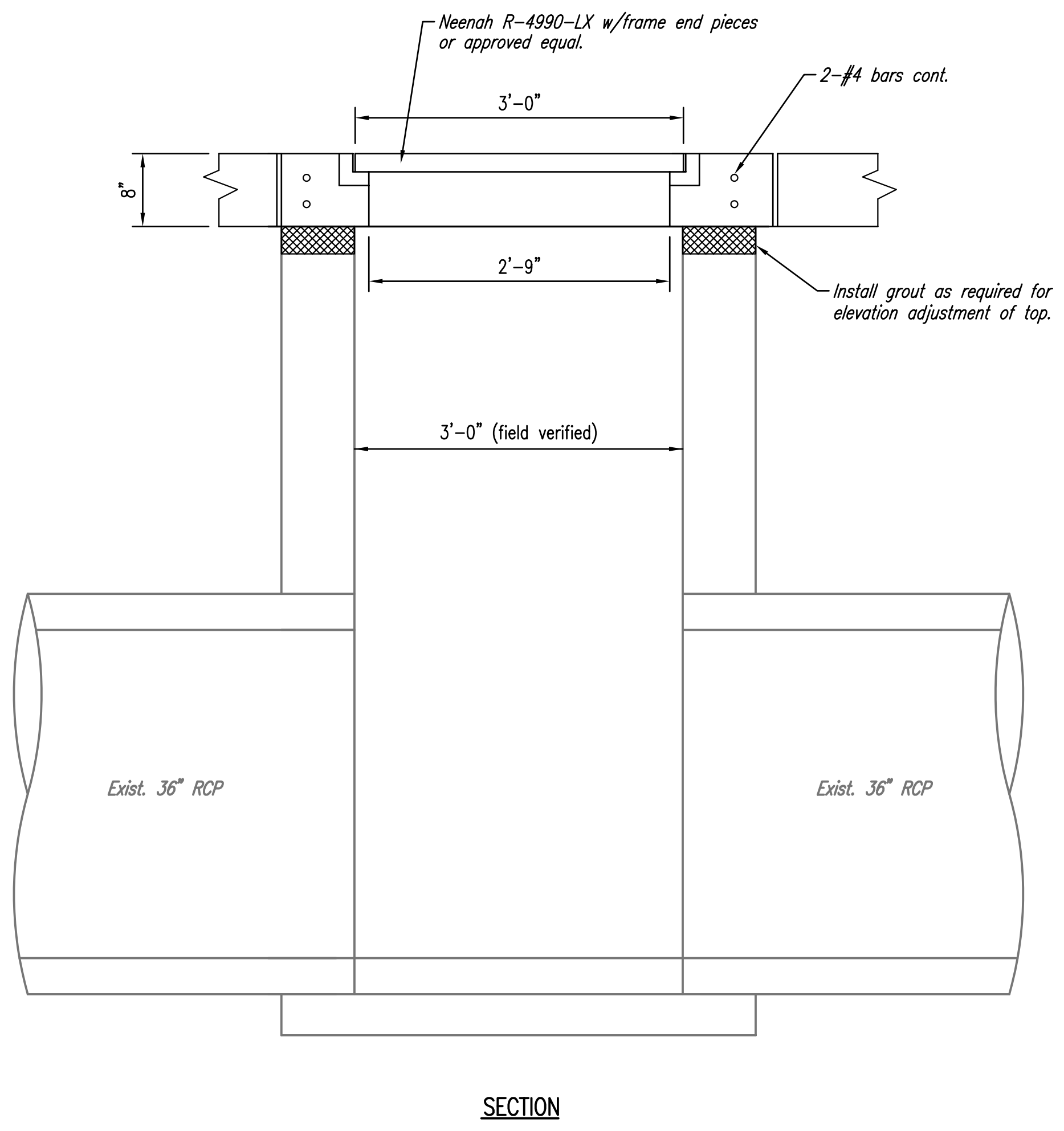
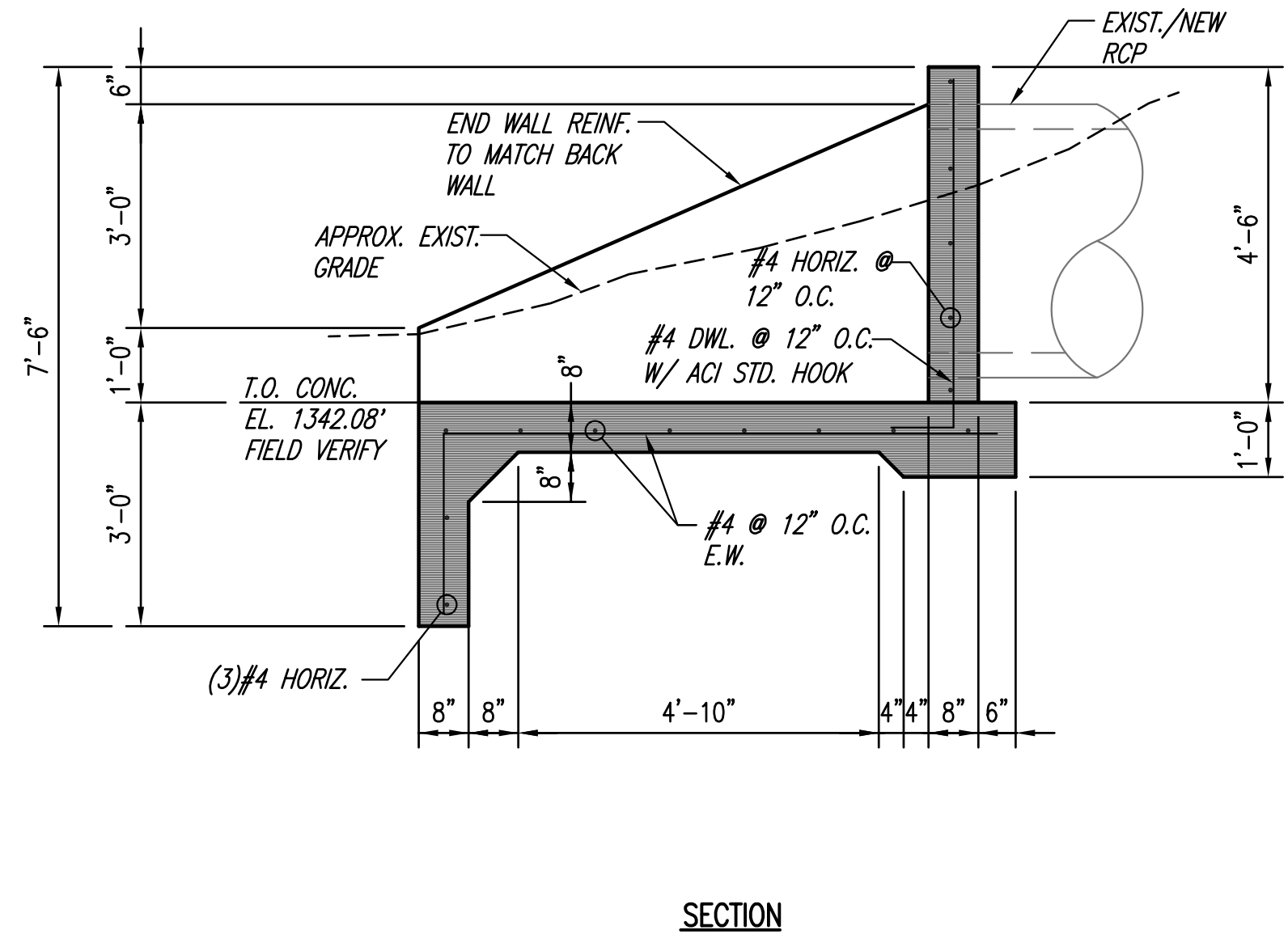
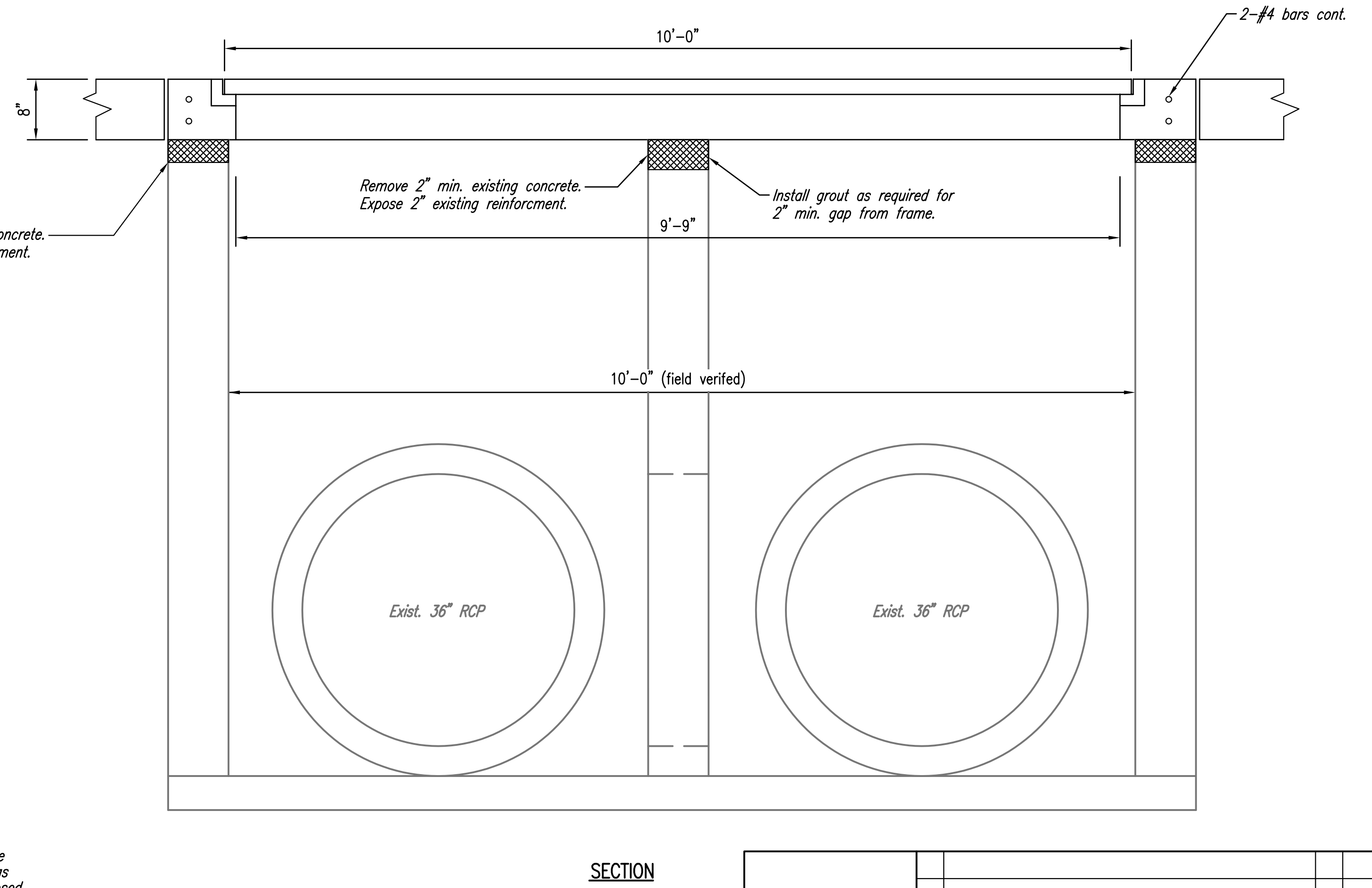


1. PROVIDE ACI STD. 90° HOOK ON ALL HORIZ. BARS AT CORNERS
2. REF. 4/47 FOR REINF. AROUND RCP OPENINGS
3. REF. SHEET 46 FOR CONC. GEN. NOTES

36" HEADWALL
 NOT TO SCALE

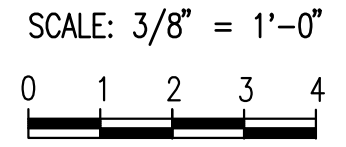


Remove 2" min. existing concrete. Expose 2" existing reinforcement.

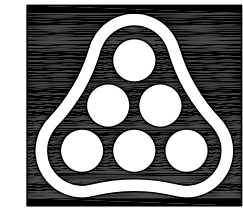


Note to Contractor:
 Modify existing Curb Inlet. Remove concrete top, remove top portion of concrete walls as required to set new area inlet top to proposed elevation.

EXISTING CURB INLET MODIFICATION



Sheet 09-29-2009 2:10:51 PM by CAE
 Plot Scale 1:1 09-29-2009 2:11:09 PM
 O:\2004\04274\004\WESTVIRE-BID\04274-004-C-39-CURB INLET & HEADWALL DETAIL



No.	Revision	By	Date
PHASE II - STORM WATER DRAIN #332 CURB INLET AND 30" HEADWALL DETAILS JAMES L. ARMOUR, P.E. - CITY ENGINEER CITY OF WICHITA PROJECT NO. 468-84396 Professional Engineering Consultants, P.A. 303 S. TOPEKA • WICHITA, KANSAS 67202 316-262-2691 • FAX 316-262-3003			
Designed by	EJ, SCU	Job No.	35-04274-042
Drawn by	CAE	Date	SEPTEMBER 2009