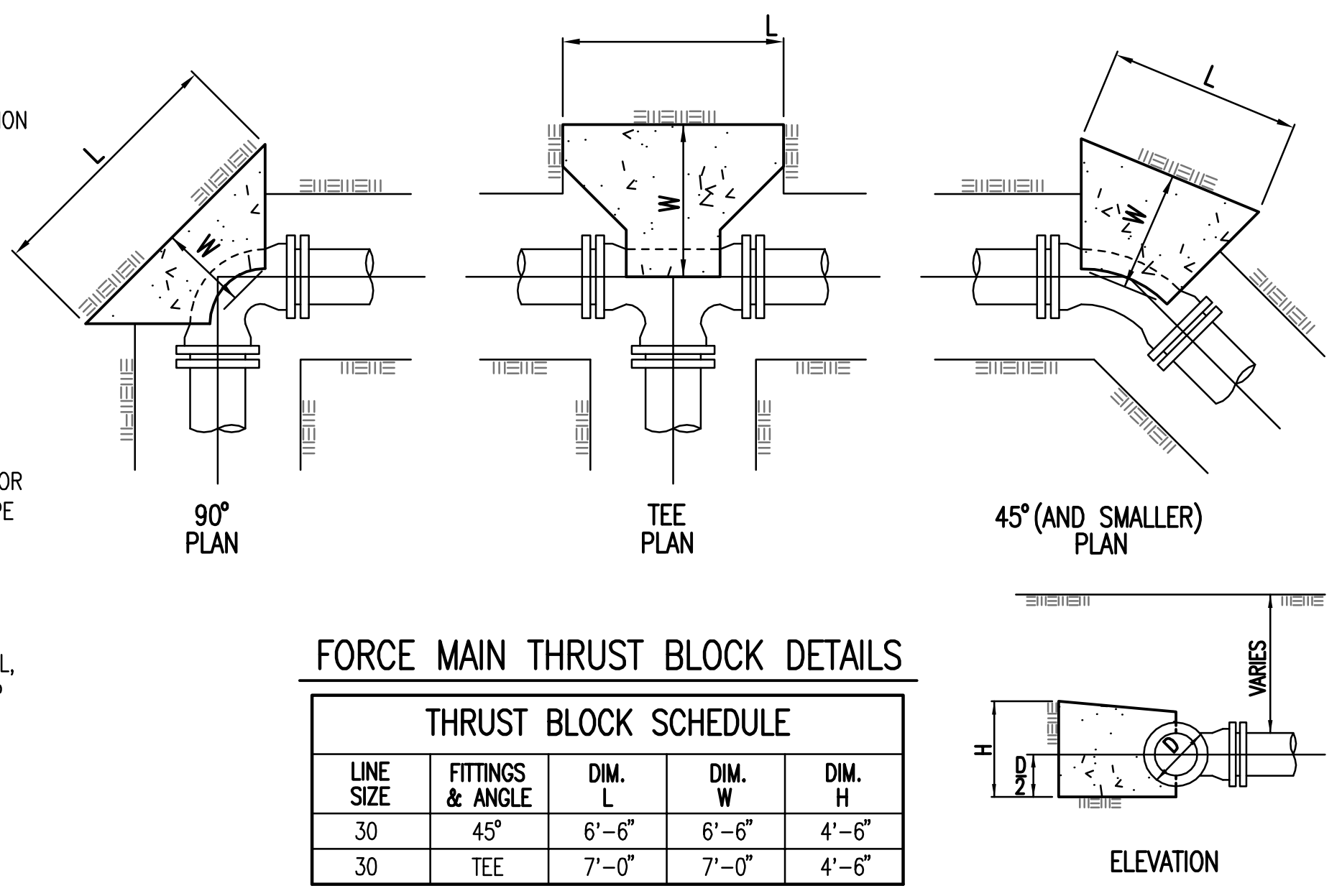


**VALVE BOX DETAIL**  
NOTE: ONE VALVE STEM REQUIRED FOR EACH BURIED VALVE  
NO SCALE

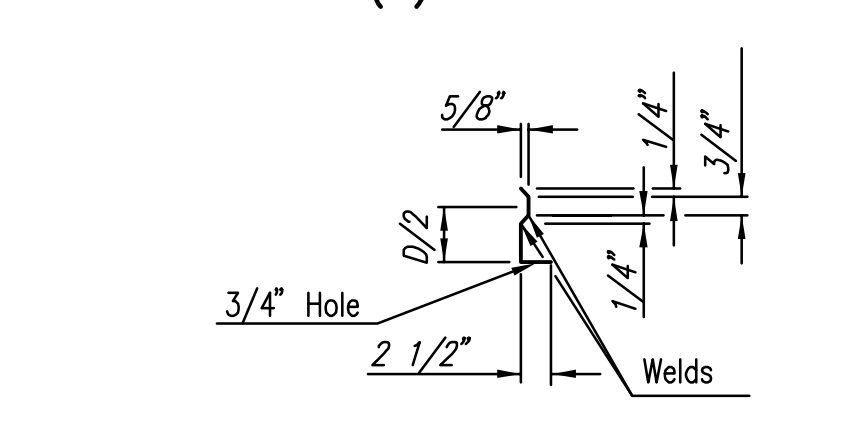
**FORCE MAIN THRUST BLOCK DETAILS**

THRUST BLOCK SCHEDULE				
LINE SIZE	FITTINGS & ANGLE	DIM. L	DIM. W	DIM. H
30	45°	6'-6"	6'-6"	4'-6"
30	TEE	7'-0"	7'-0"	4'-6"



**ELEVATION**

**ISOLATION JOINT (J)**

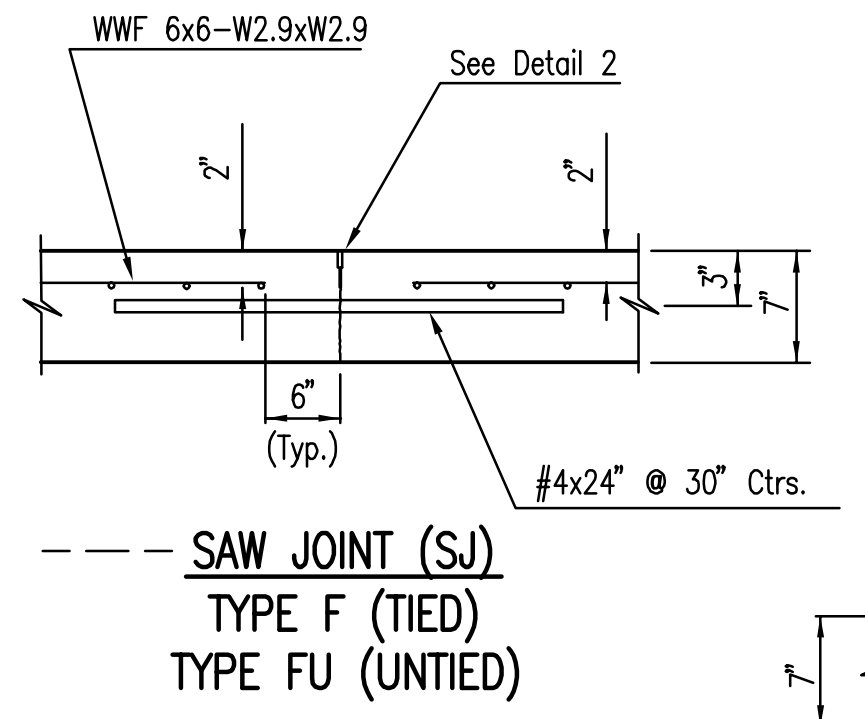


**SECTION OF RECESSED FORM LEG**

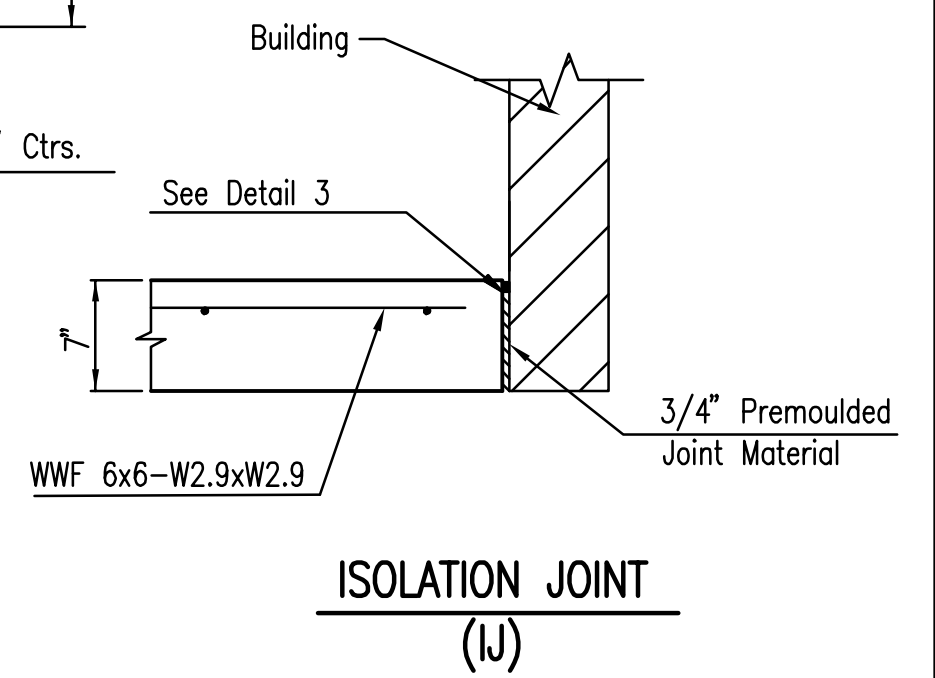
**HALF-ROUND KEY (OPTION)**

**METAL KEYWAY DETAILS**

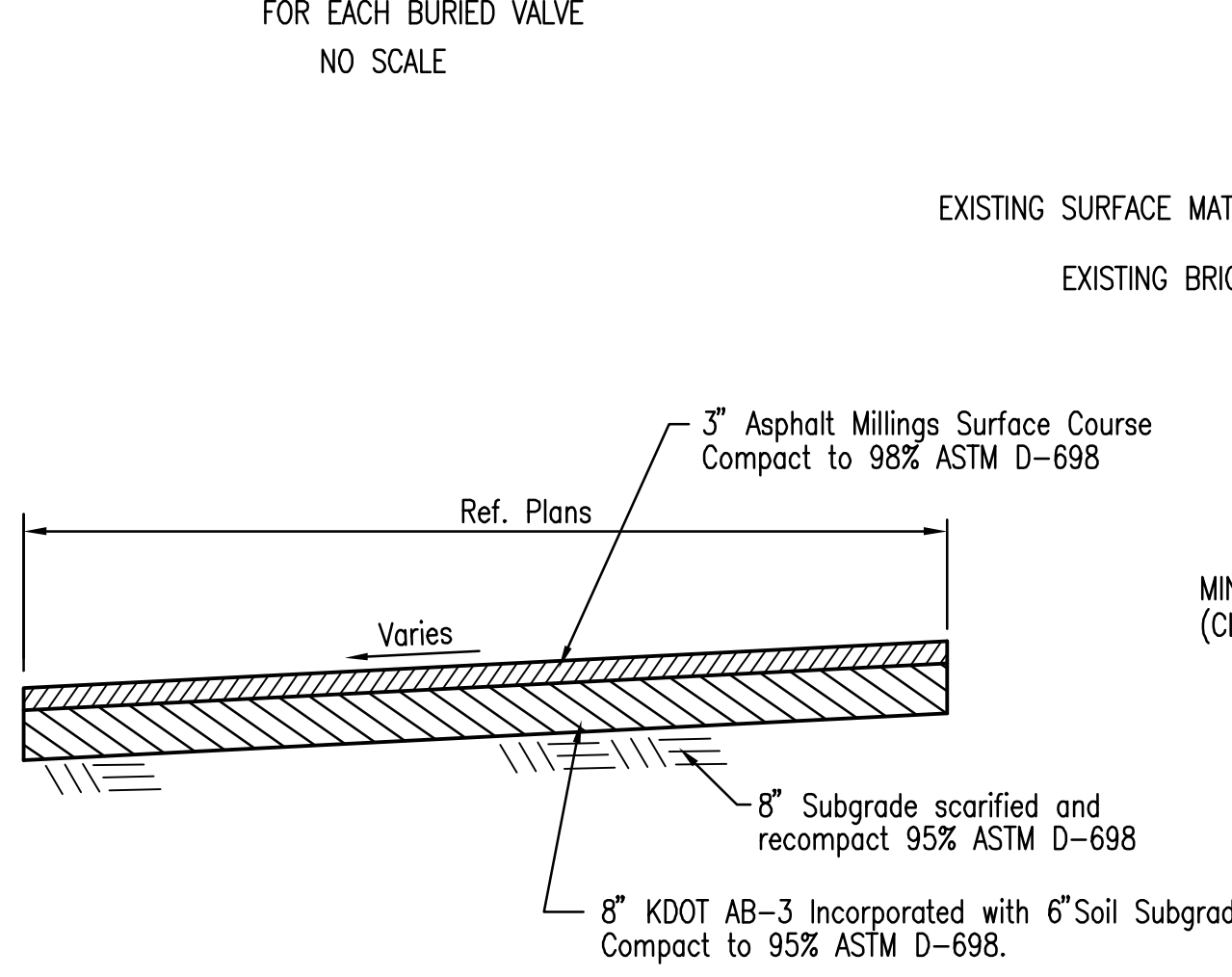
Note: Snap-in leg or other approved designs may be used in lieu



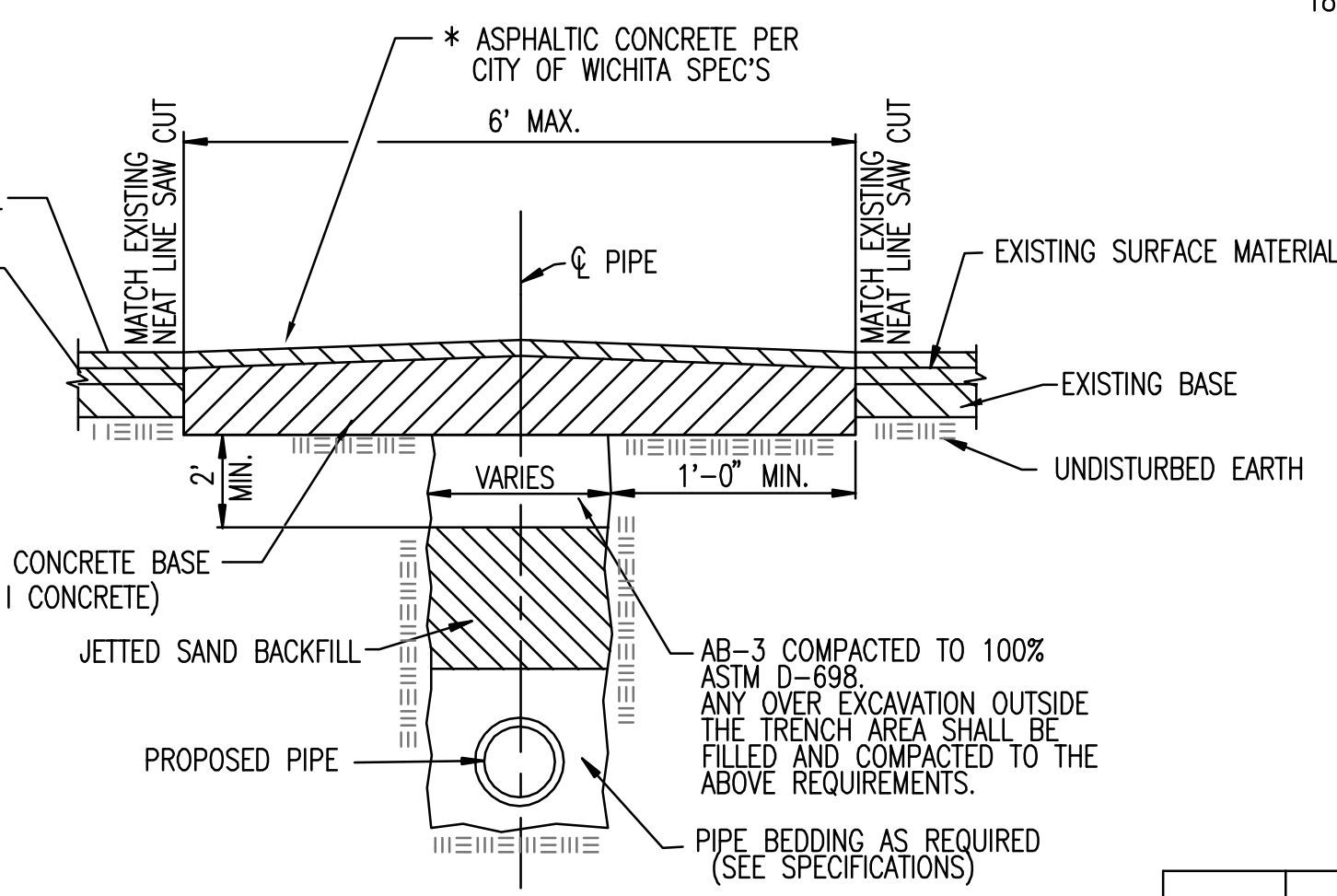
**SAW JOINT (SJ)  
TYPE F (TIED)  
TYPE FU (UNTIED)**



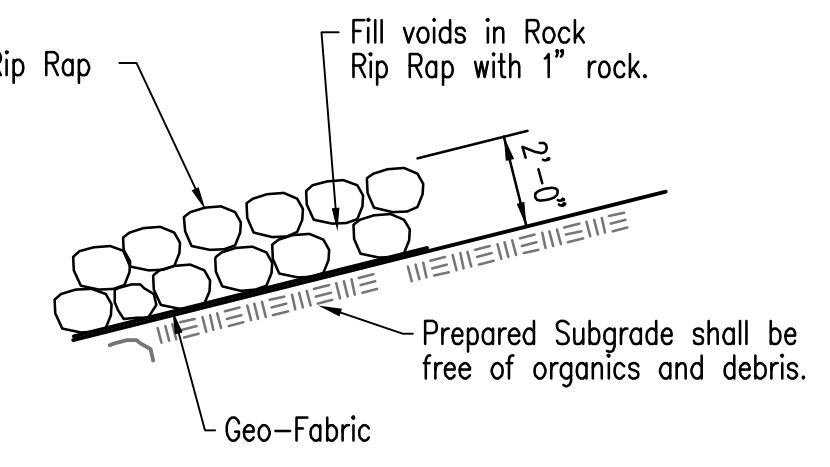
**ISOLATION JOINT (J)**



**TYPICAL ASPHALT MILLINGS ACCESS RAMP SECTION**  
NOT TO SCALE



**CHARTWELL STREET PAVEMENT REMOVAL AND REPLACEMENT**



**LIGHT TYPE ROCK RIP RAP**  
NO SCALE

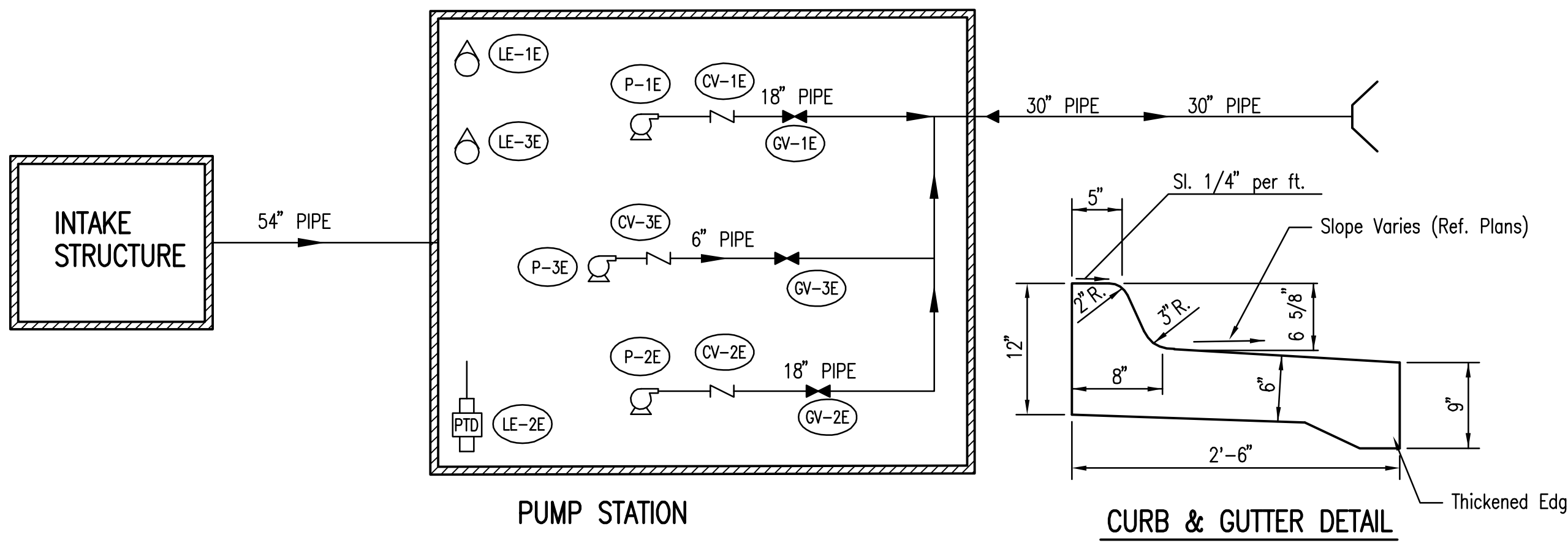
PUMP SCHEDULE						
MARK	TYPE	GPM	FT. HEAD	EFF. %	MAX. HP	RPM
P-1E	MIXED FLOW	7,500	21	80% MIN.	60	1200
P-2E	MIXED FLOW	7,500	21	80% MIN.	60	1200
P-3E	SUBMERSIBLE	500	21	63% MIN.	5	1160

**LEVEL ELEMENT SCHEDULE**

MARK	LOCATION	STATUS	TYPE	SPECIFICATION SECTION
LE-1E	PUMP STATION	NEW	FLOAT SWITCH	17585
LE-2E	PUMP STATION	NEW	SUBMERSIBLE PRESSURE TRANSDUCER	17581
LE-3E	PUMP STATION	NEW	FLOAT SWITCH	17585

**GATE VALVE SCHEDULE**

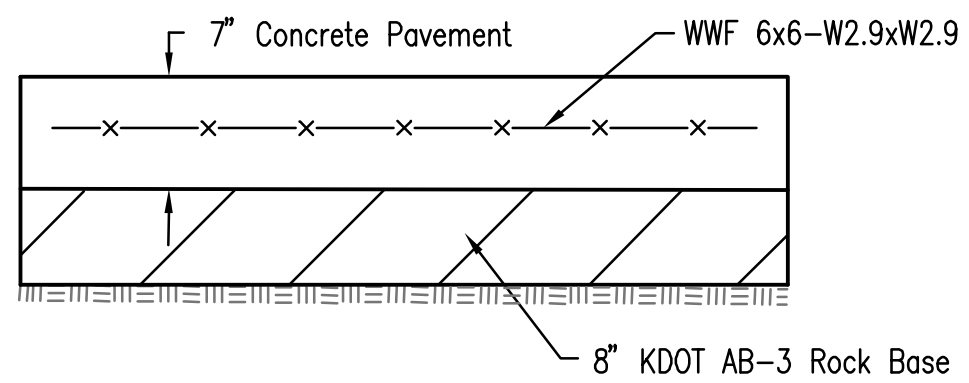
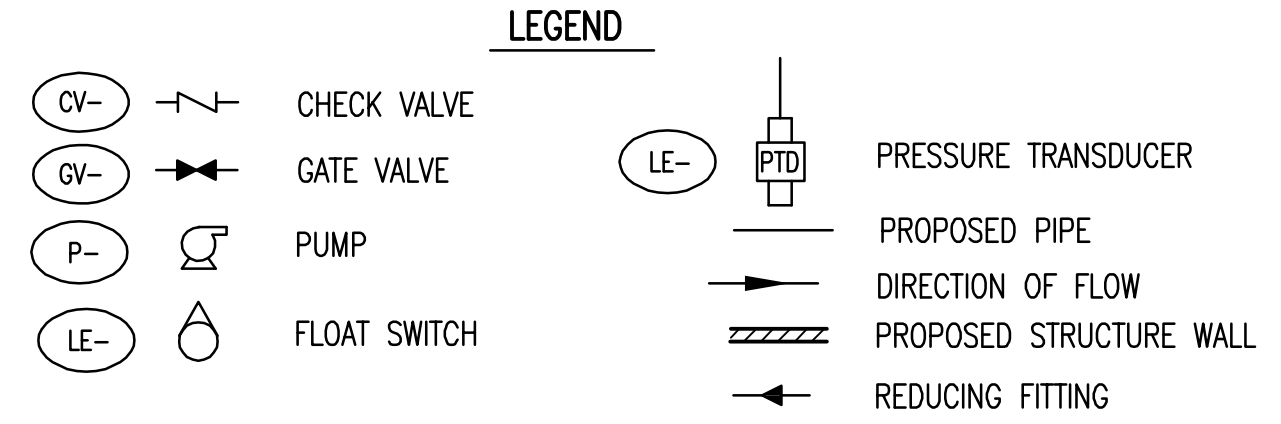
MARK	LOCATION	STATUS	SIZE	FITTINGS	OPERATOR	SPECIFICATION SECTION
GV-1E	PUMP STATION	NEW	18"	MJ	2" NUT W/ VALVE BOX	17261
GV-2E	PUMP STATION	NEW	18"	MJ	2" NUT W/ VALVE BOX	17261
GV-3E	PUMP STATION	NEW	6"	MJ	2" NUT W/ VALVE BOX	17261



**PUMP STATION**

**CURB & GUTTER DETAIL**

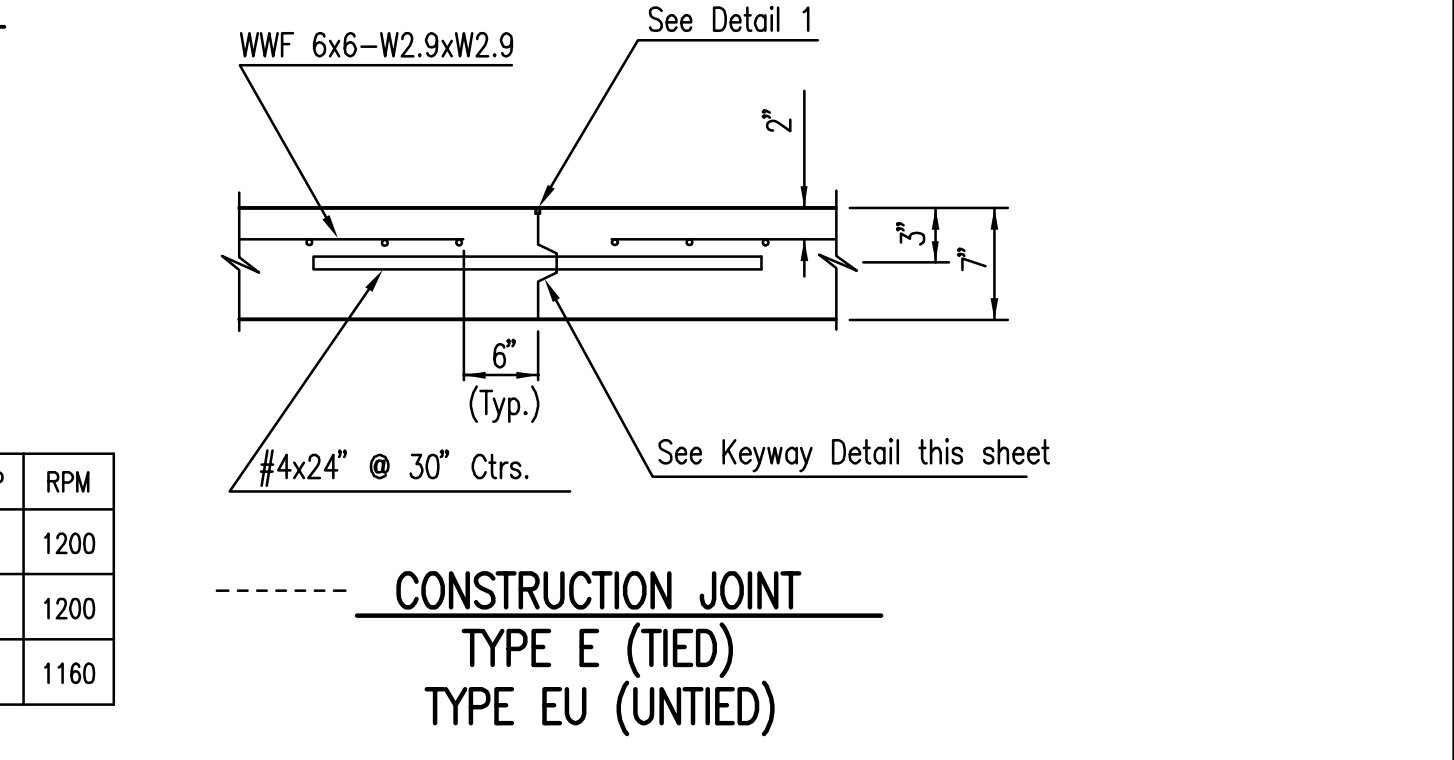
**PROCESS DIAGRAM**  
NOT TO SCALE



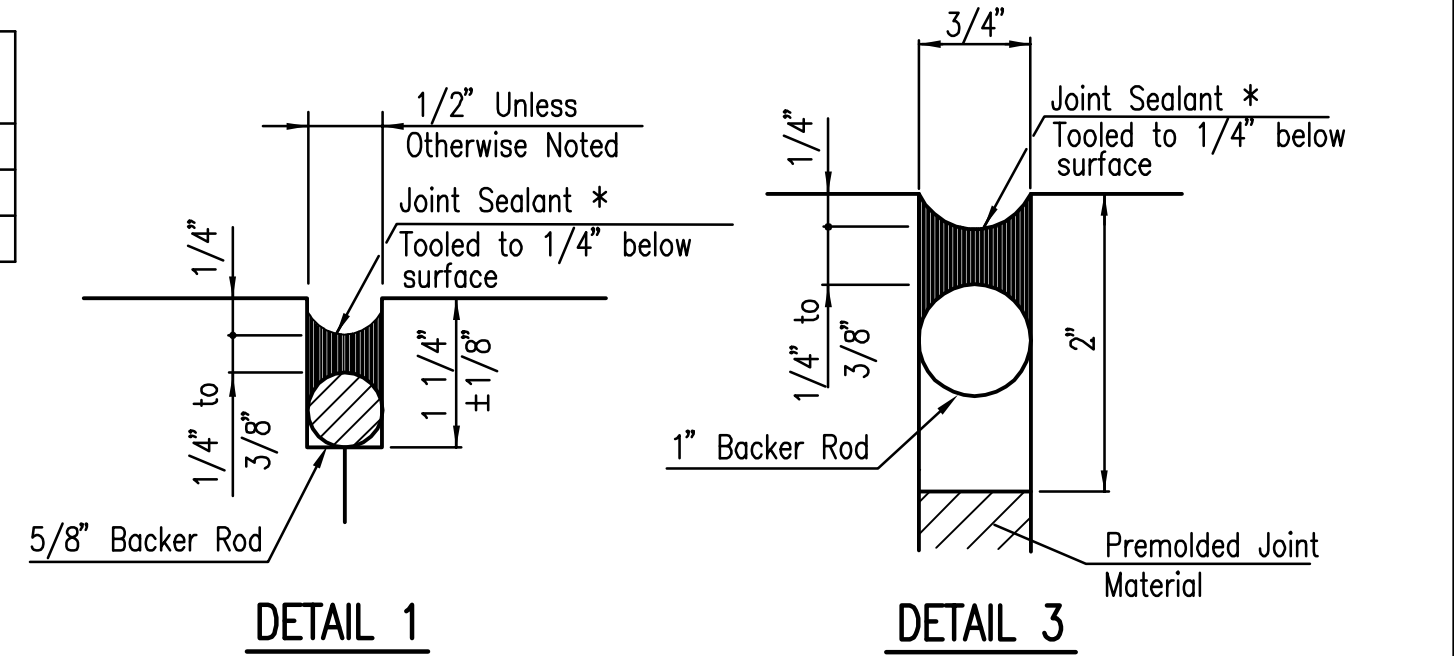
**TYPICAL CONCRETE PAVEMENT SECTION**

**PUMP STATION NOTES**

1. THE CONTRACTOR SHALL COORDINATE WITH WESTAR TO EXTEND ELECTRICAL SERVICE TO THE LIFT STATION SITE. THE CONTRACTOR SHALL VERIFY THE ELECTRICAL SERVICE REQUIREMENTS WITH WESTAR. THE CONTRACTOR SHALL ALLOW 2 WEEKS FOR WESTAR TO PROVIDE SERVICE. ALL COSTS INCURRED TO EXTEND SERVICES TO THE SITE SHALL BE BORNE BY THE CONTRACTOR. THE CONTRACTOR SHALL CONTACT:  
WESTAR  
ATTN: CAROLYN PROPHET  
P.O. BOX 208  
WICHITA, KS. 67201  
PH (316) 261-6734
2. CONTRACTOR SHALL SUPPORT ALL PIPING INSIDE THE WET WELL AS REQUIRED.
3. ALL HARDWARE WITHIN THE PUMP STATION THAT IS REQUIRED FOR COMPLETE CONSTRUCTION OF THE PUMP STATION (CONNECTION PLATES, BRACKETS, BOLTS, ETC.) SHALL BE STAINLESS STEEL.
4. CONTRACTOR SHALL LOCATE LEVEL CONTROL SO FUTURE FLOW INTO THE WET WELL WILL NOT INTERFERE WITH WET WELL OPERATION.
5. THE COMPLETED DISCHARGE LINE SHALL BE PRESSURE TESTED IN ACCORDANCE WITH CITY OF WICHITA STANDARD SPECIFICATIONS FOR WATERLINE CONSTRUCTION AT 100 PSI.
6. ALL PIPING, AS REQUIRED SHALL MEET THE REQUIREMENTS OF THE CITY OF WICHITA STANDARD SPECIFICATIONS FOR WATERLINE CONSTRUCTION. ALL EXPOSED D.I. PIPE AND FITTINGS SHALL BE FACTORY PRIMED AND EPOXY COATED WITH 2 COATS OF TNEPEC SERIES 66, OR APPROVED EQUAL.
7. PUMP SHALL BE AS MANUFACTURED BY CASCADE OR APPROVED EQUAL.
8. COMPACTION OF EARTHWORK BELOW WET WELL SHALL BE PER CITY OF WICHITA STANDARD SPECIFICATIONS.
9. THE "CONFINED SPACE WARNING" SIGN SHALL BE FASTENED TO THE TOP OF ALL VAULTS. THE SIGN MAY BE FASTENED TO THE VAULT LID IF IT DOES NOT IMPEDE ACCESS TO THE HANDLE. ACCEPTABLE MATERIALS: ALUMINUM 73415HH, PLASTIC 73439HH, OR S.A. VINYL 73463HH.
10. PROVIDE (1) PORTABLE, HEAVY DUTY, ADJUSTABLE ALUMINUM GANTRY CRANE; 2,000 LBS. CAPACITY; MAXIMUM SPAN OF 8'; MINIMUM OVERALL HEIGHT OF 6'; AS MANUFACTURED BY VESTIL OR APPROVED EQUAL. PROVIDE (1) TWO-SPEED ELECTRIC CHAIN HOIST; 2,000 LBS. CAPACITY WITH LIFT HEIGHT OF 15 FT; AS MANUFACTURED BY DAYTON OR APPROVED EQUAL.

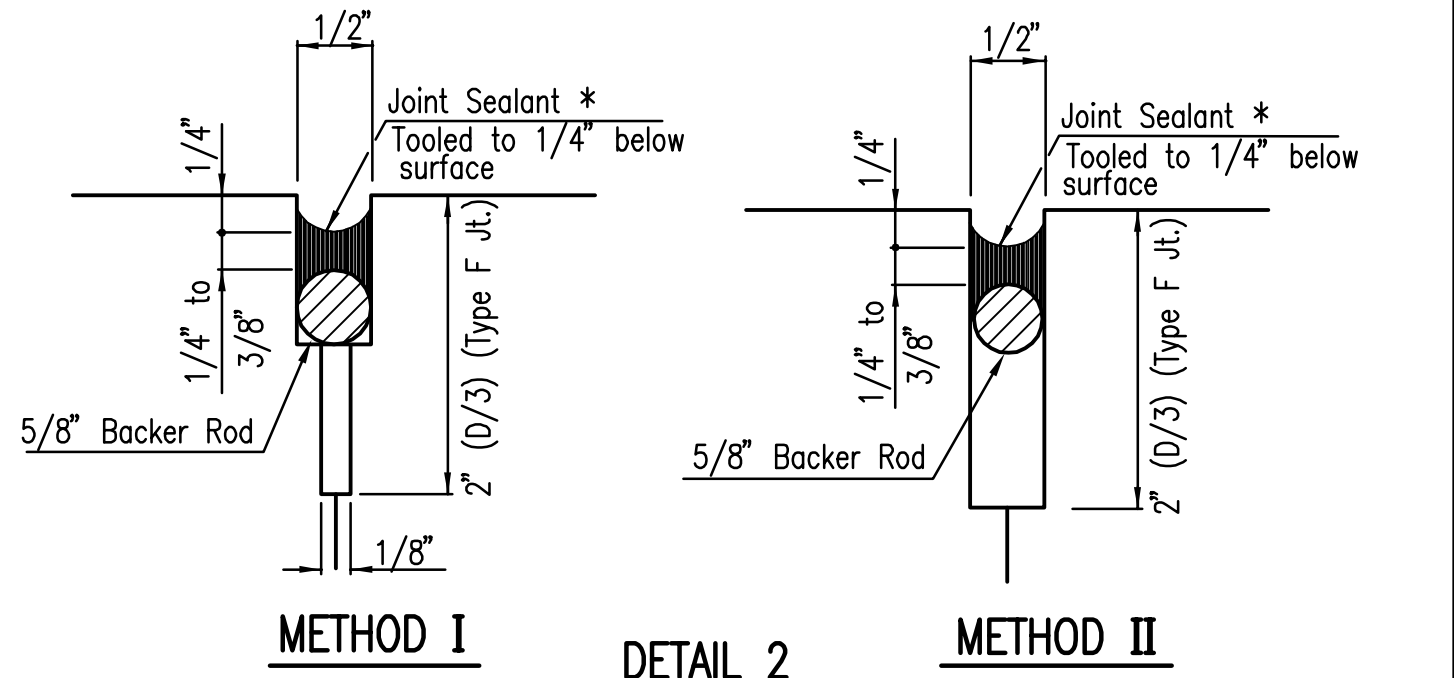


**CONSTRUCTION JOINT  
TYPE E (TIED)  
TYPE EU (UNTIED)**



**DETAIL 1**

**DETAIL 3**



**METHOD I**

**DETAIL 2**

**METHOD II**

**JOINT SEAL DETAILS**

\* Silicone Type Joint Sealant  
Ref. Spec. Section 02522

No.	Revision	By	Date
PHASE II - STORM WATER DRAIN #332			
<b>EAST PUMP STATION DETAILS</b>			
JAMES L. ARMOUR, P.E. - CITY ENGINEER CITY OF WICHITA PROJECT NO. 468-84596			
<b>Professional Engineering Consultants, P.A.</b> 303 S. TOPEKA • WICHITA, KANSAS 67202 316-262-2691 • FAX 316-262-3003			
Designed by	EJJ, SCU	Job No.	35-04274-042
Drawn by	CAE	Date	SEPTEMBER 2009
			Sht. 38 of 63

Saved: 05-18-2010 10:13:12 AM by CAE  
 Plot: Scale: 1:1 05-18-2010 10:15:05 AM by CAE  
 C:\2004\04274\004\WESTAR\RE-BID\04274-004-C-38-East-Pump\_3to\_Detail