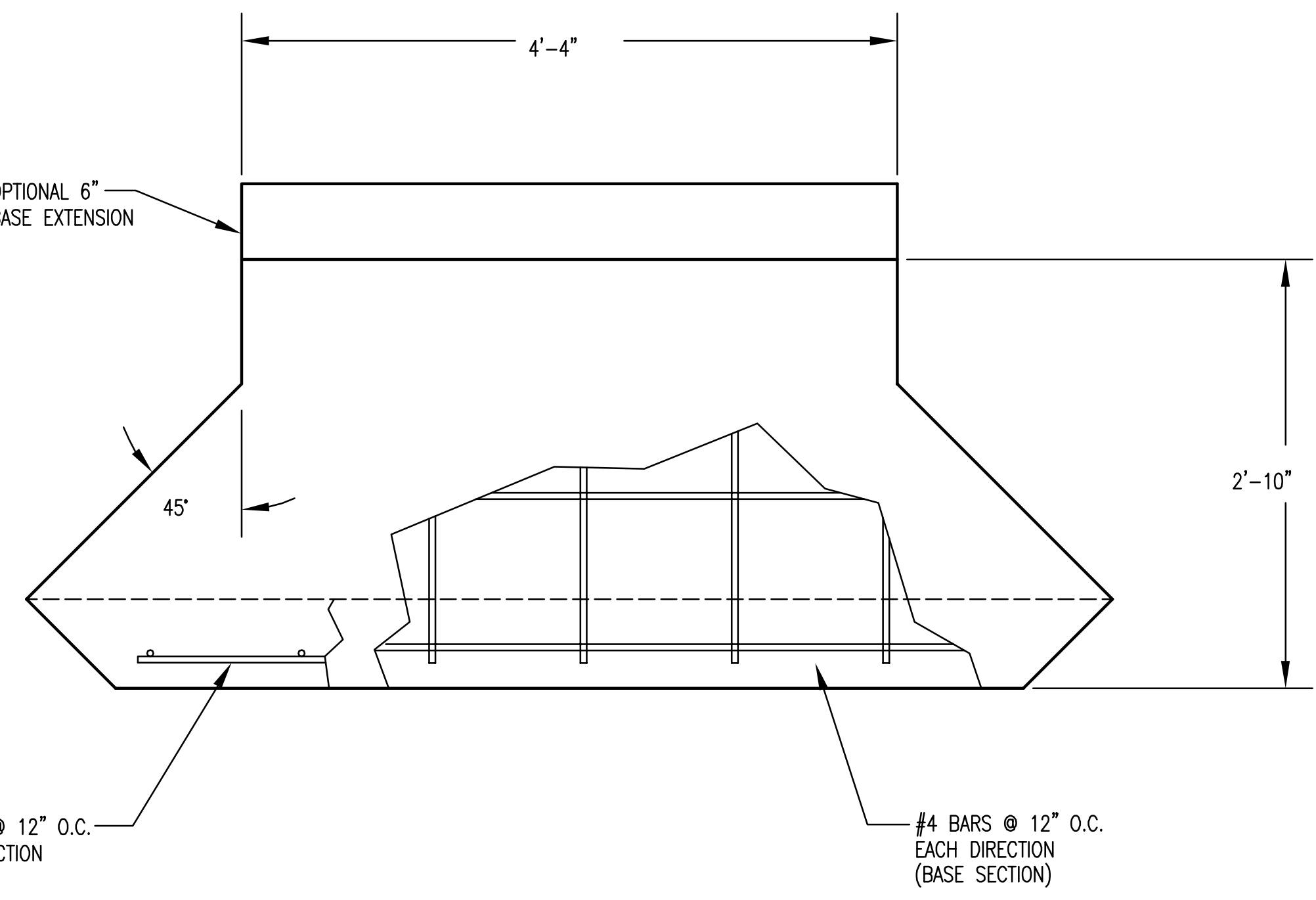
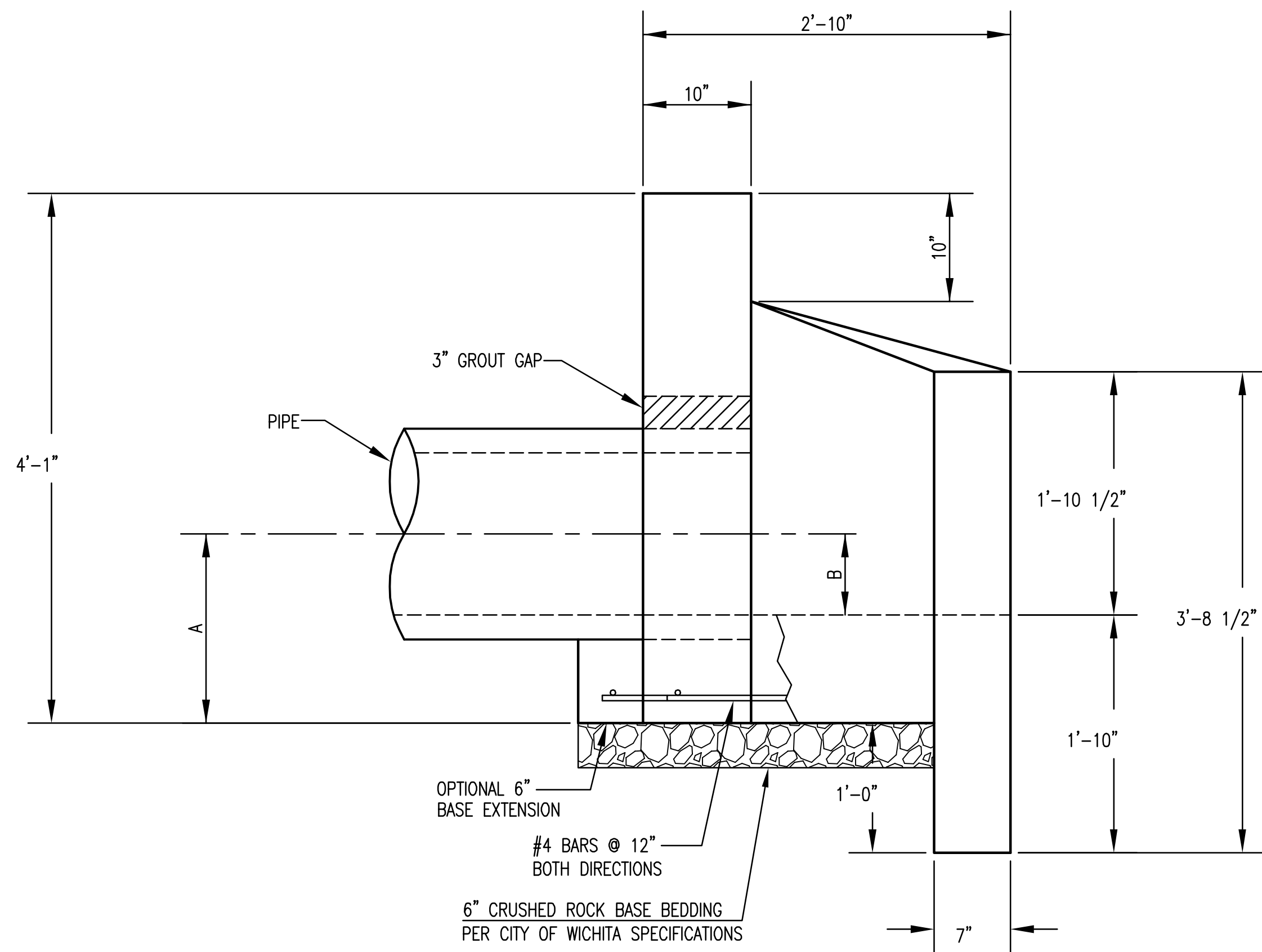


PLAN VIEW

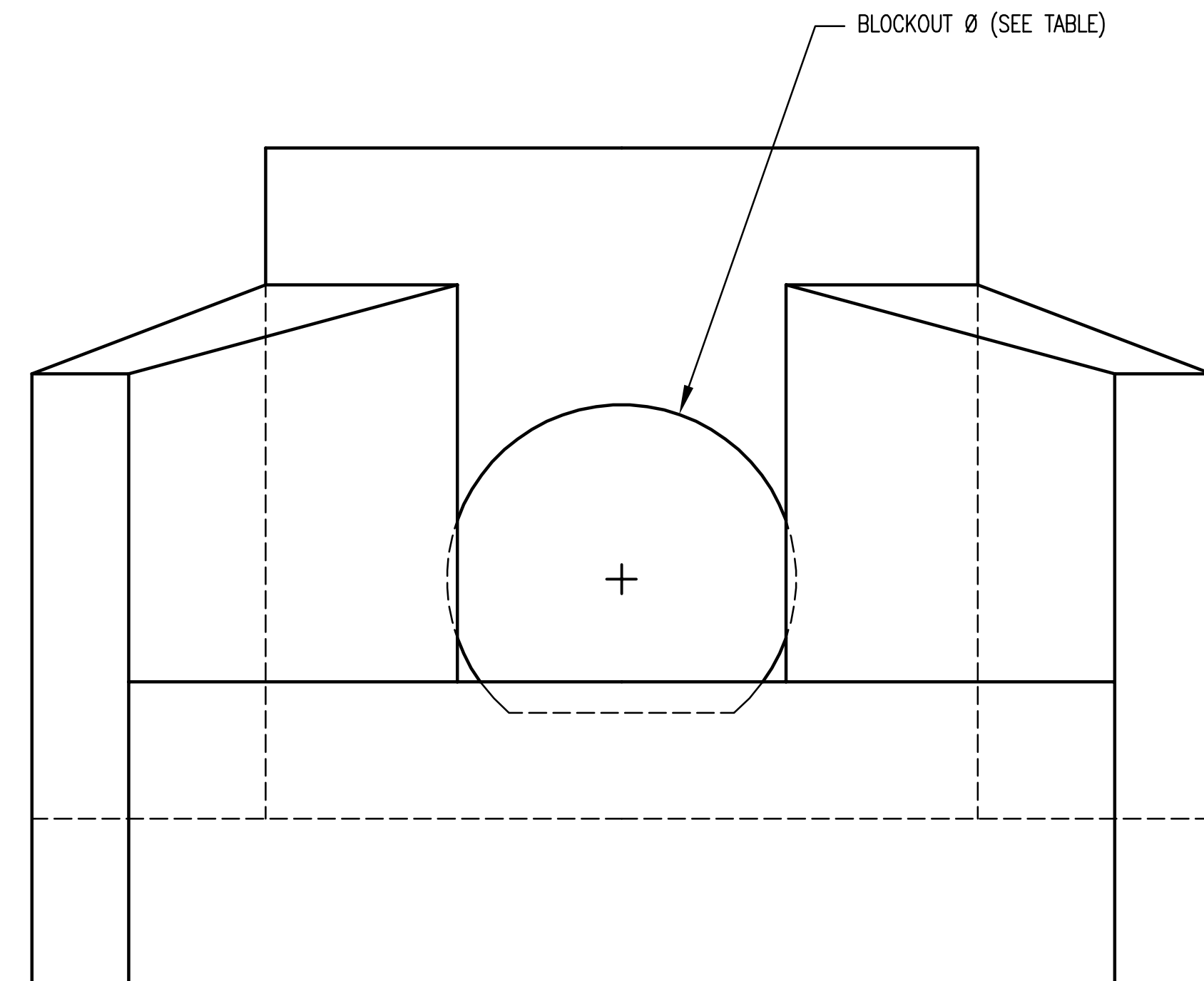


PLAN VIEW
BASE

PIPE Ø	A	B	BLOCKOUT Ø
15"	1'-5 1/2"	7 1/2"	2'-1 1/2"
18"	1'-7"	9"	2'-5"
24"	1'-10"	1'-0"	3'-0"



ELEVATION



FRONT VIEW

HEADWALLS, AS SHOWN, WILL NOT SUPPORT FLAP GATE.



HEADWALL DETAILS FOR 24" PIPE		
CITY ENGINEER JAMES L. ARMOUR, P.E., L.S.		
PROJECT NUMBER 472-84898	OCA NUMBER 792529	DATE 11/2010
CITY ENGINEER'S OFFICE CITY HALL - SEVENTH FLOOR 455 NORTH MAIN STREET WICHITA, KANSAS 67202-1620 (316) 268-4501		DESIGN DRAWN SHEET 39 of 59

Sheet 01-17-2011, 1:07:38 PM by BJS
 Plot Scale: 1:1 01-17-2011 2:44:45 PM by BILL J. SESSON
 C:\2009\09307\000\PAVING\09307-39C-SW-402-Headwall Details for 24" Pipe