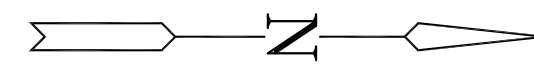
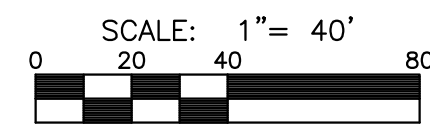
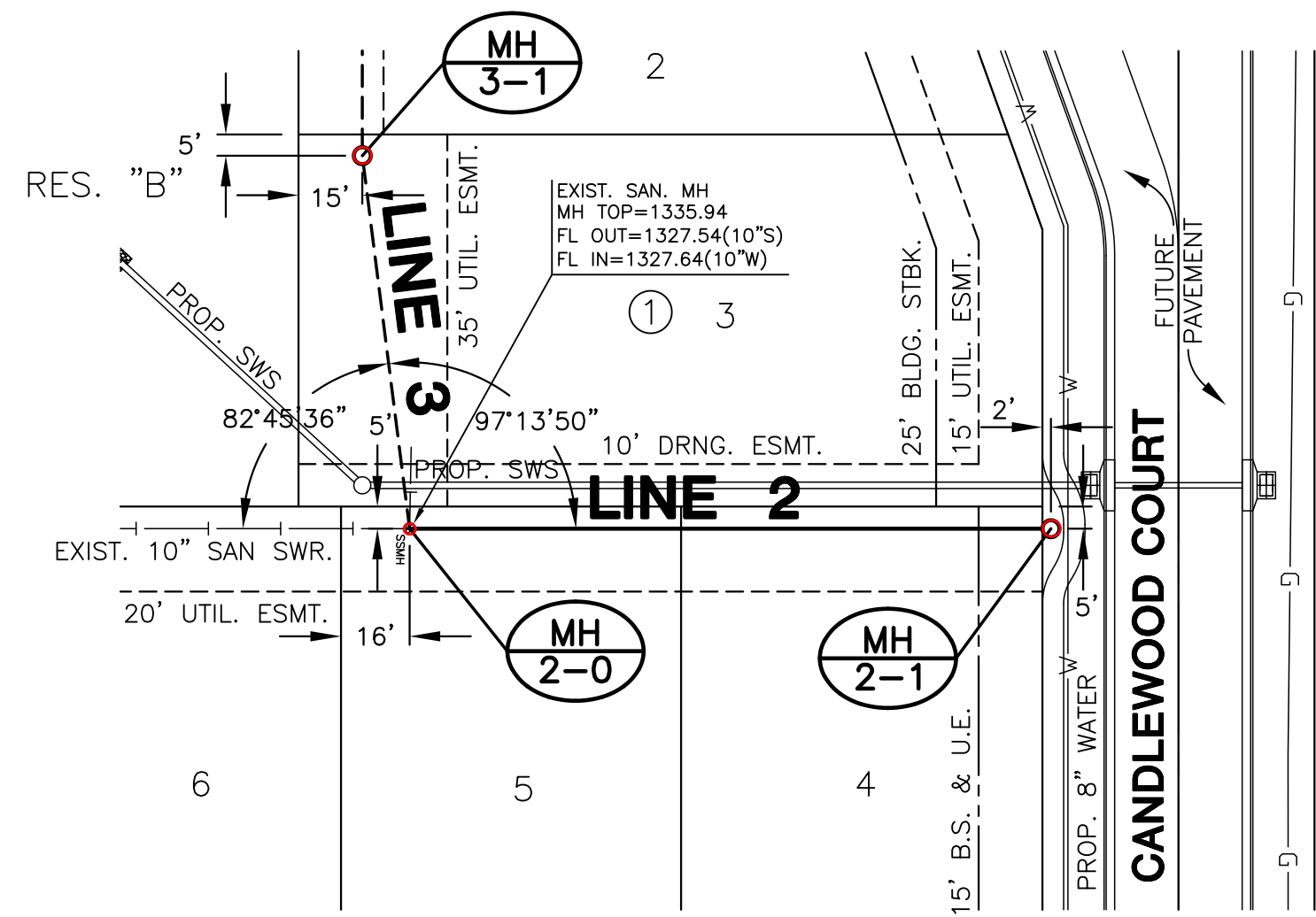
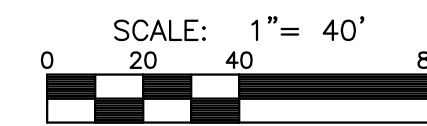
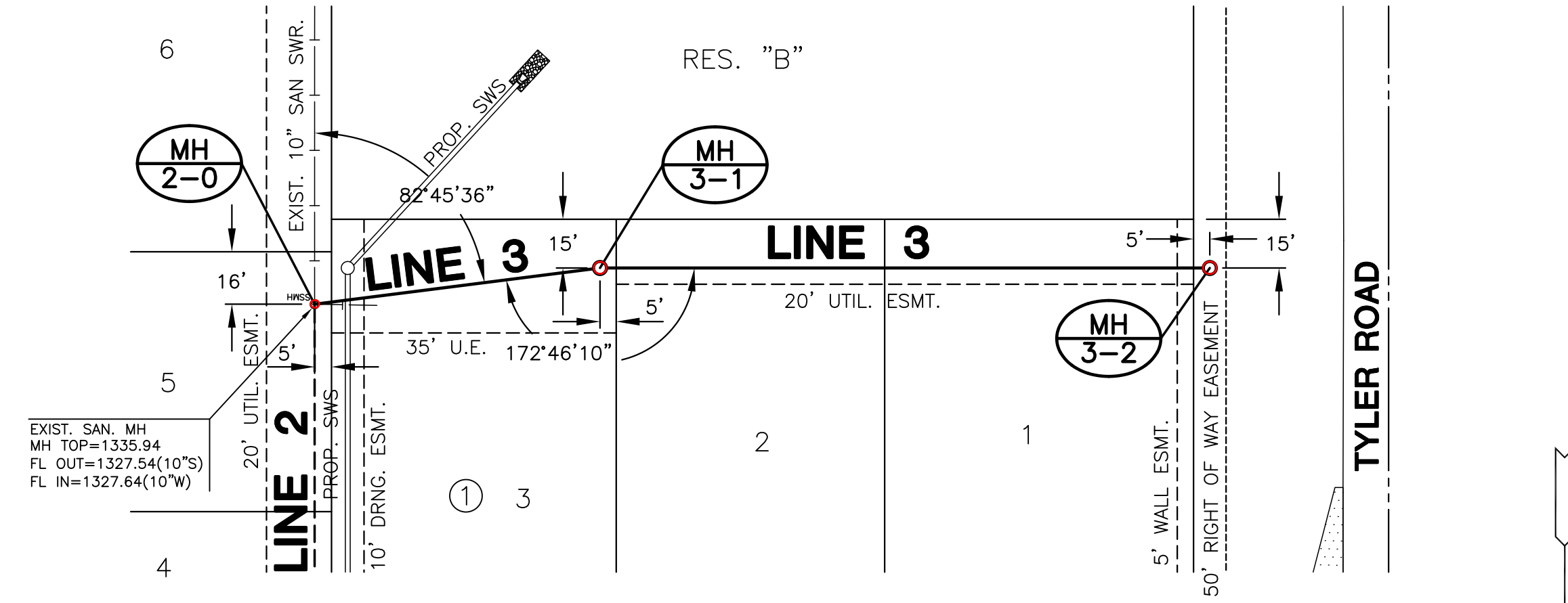


SANITARY SEWER PLANS FOR
AVALON PARK 3RD ADDITION
PHASE 2

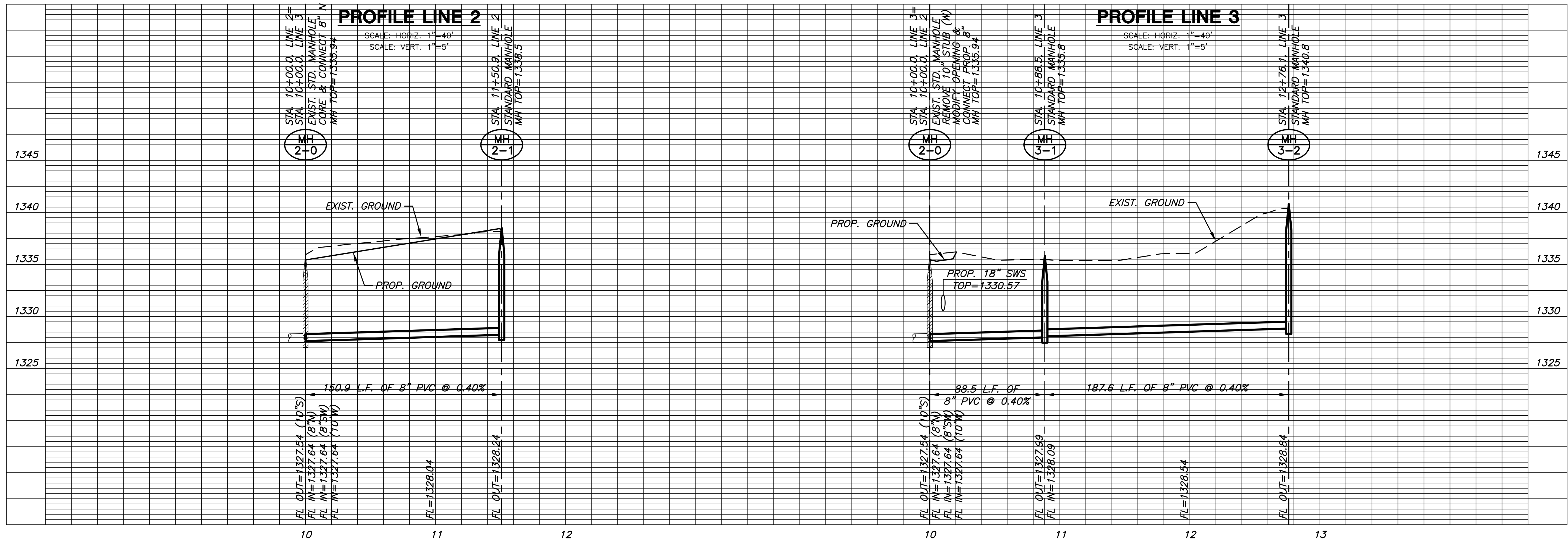


PLAN LINE 2

BUILT PER PLAN



PLAN LINE 3



LINES 2 & 3
SHEET TITLE
468-84010
PROJECT NUMBER

DESIGN BY: DFL
DRAWN BY: JWC
CHECKED BY: GJA

ISSUED: October 2010
REVISED:

SHEET NO. 5 of 12