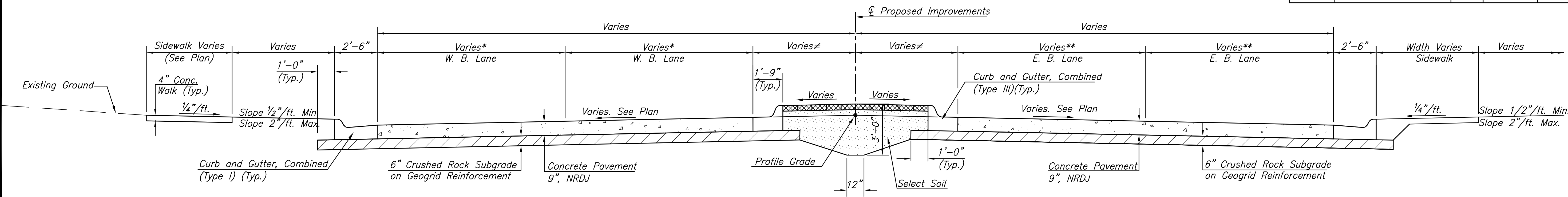


STATE	PROJECT NO.	YEAR	SHEET NO.	TOTAL SHEETS
KANSAS	87 N-0361-01	2011	3	169

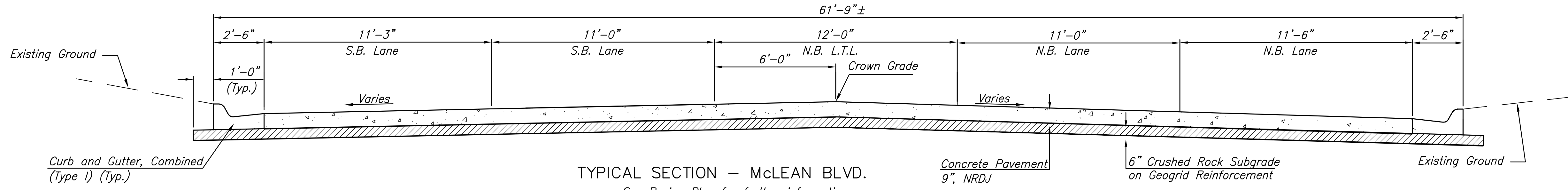
**MKEC**  
ENGINEERING  
CONSULTANTS, INC.  
411 N. WEBB ROAD  
WICHITA, K.S. 67206  
316-684-9600

**LINCOLN STREET BRIDGE AND  
DAM IMPROVEMENTS OVER  
ARKANSAS RIVER**

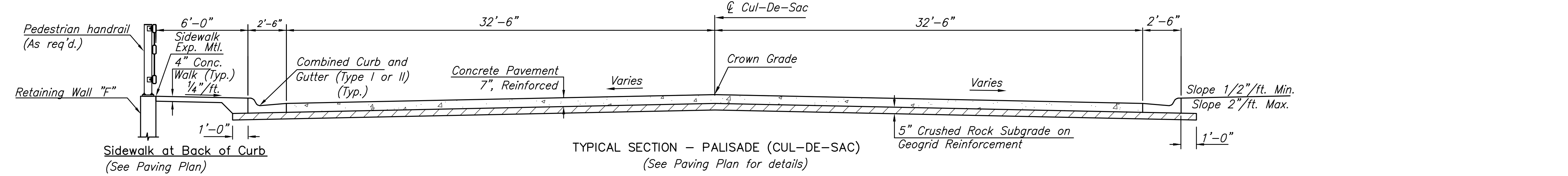


\*Varies from 12'-0" at Sta. 12+14.55 to 11'-9" at Sta. 12+81.55  
 \*\*Varies from 12'-0" at Sta. 12+14.55 to 10'-4 1/2" at Sta. 12+81.55  
 ≠Varies from 10'-0" at Sta. 12+14.55 to 8'-8 1/2" at Sta. 12+81.55

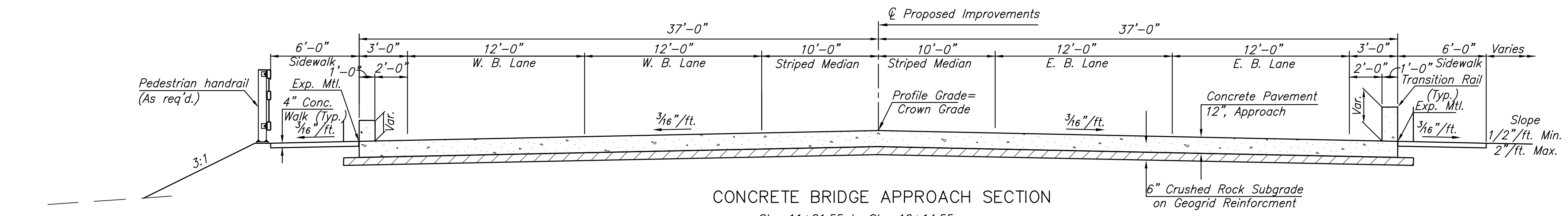
TYPICAL SECTION - LINCOLN  
Sta. 12+14.55 to Sta. 12+81.55



TYPICAL SECTION - McLEAN BLVD.  
See Paving Plan for further information.

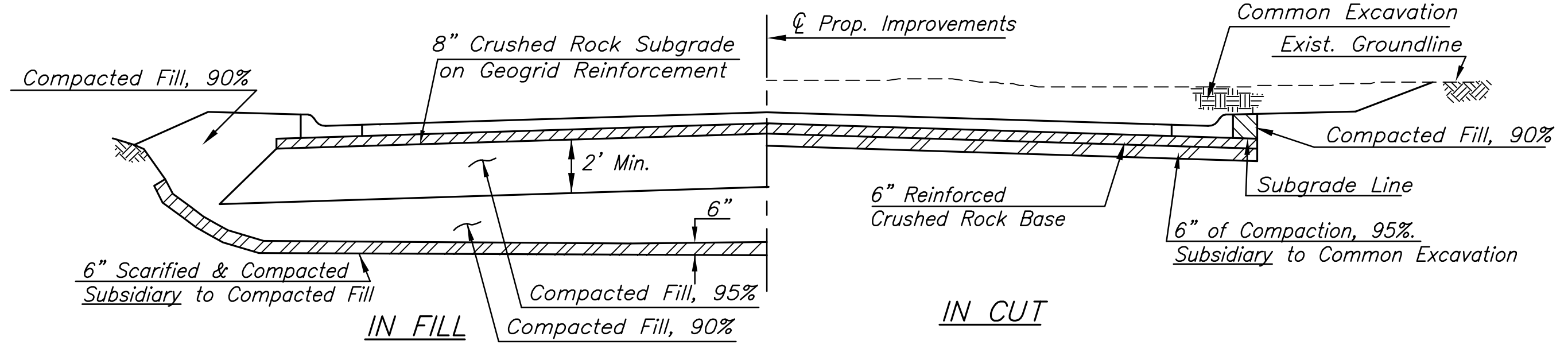


TYPICAL SECTION - PALISADE (CUL-DE-SAC)  
(See Paving Plan for details)

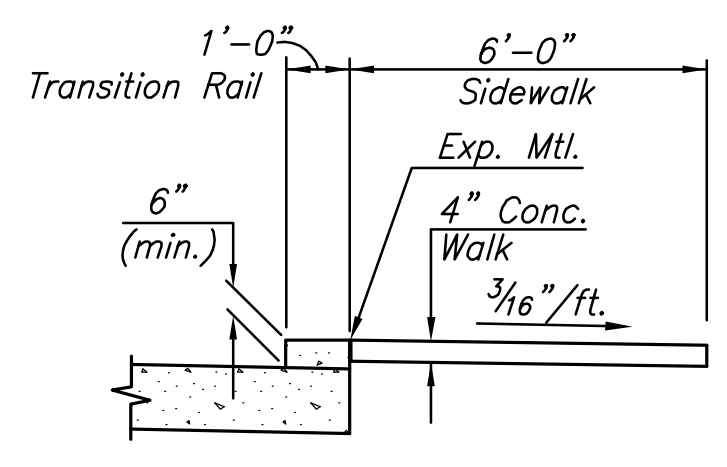


CONCRETE BRIDGE APPROACH SECTION  
Sta. 11+81.55 to Sta. 12+14.55  
Sta. 8+00.14 to Sta. 8+29.18 (Similar)

Sidewalk at Back of Curb, Lt.  
(See Paving Plan)



FOUNDATION TREATMENT AND COMPACTION OF EARTHWORK



SIDEWALK AT BACK OF CURB, RT.  
(See Paving Plan Sta. 12+14.55)

Sidewalk cross-slope transitions between Sta. 12+14.55 and Sta. 12+50.  
Sidewalk elevation relative-to-street transitions from Sta. 11+81.55 and Sta. 12+14.55.

**BRIDGE  
TYPICAL  
SECTION  
SHEET**  
SHEET TITLE  
472-84883  
PROJECT NUMBER

JRA  
DESIGN BY  
DPG  
DRAWN BY  
KJS  
CHECKED BY

ISSUED  
1/24/2011  
REVISED

SHEET NO.  
3 of 169

PLOT: Tuesday, January 25, 2011 8:55AM

J:\CIVIL\07433\DWG\BRIDGE\TITLE\07433TYP.DWG