

STATE	PROJECT NO.	YEAR	SHEET NO.	TOTAL SHEETS
KANSAS	87 N-0361-01	2011	27	169

**MKEC**  
ENGINEERING  
CONSULTANTS, INC.  
411 N. WEBB ROAD  
WICHITA, K.S. 67206  
316-684-9600

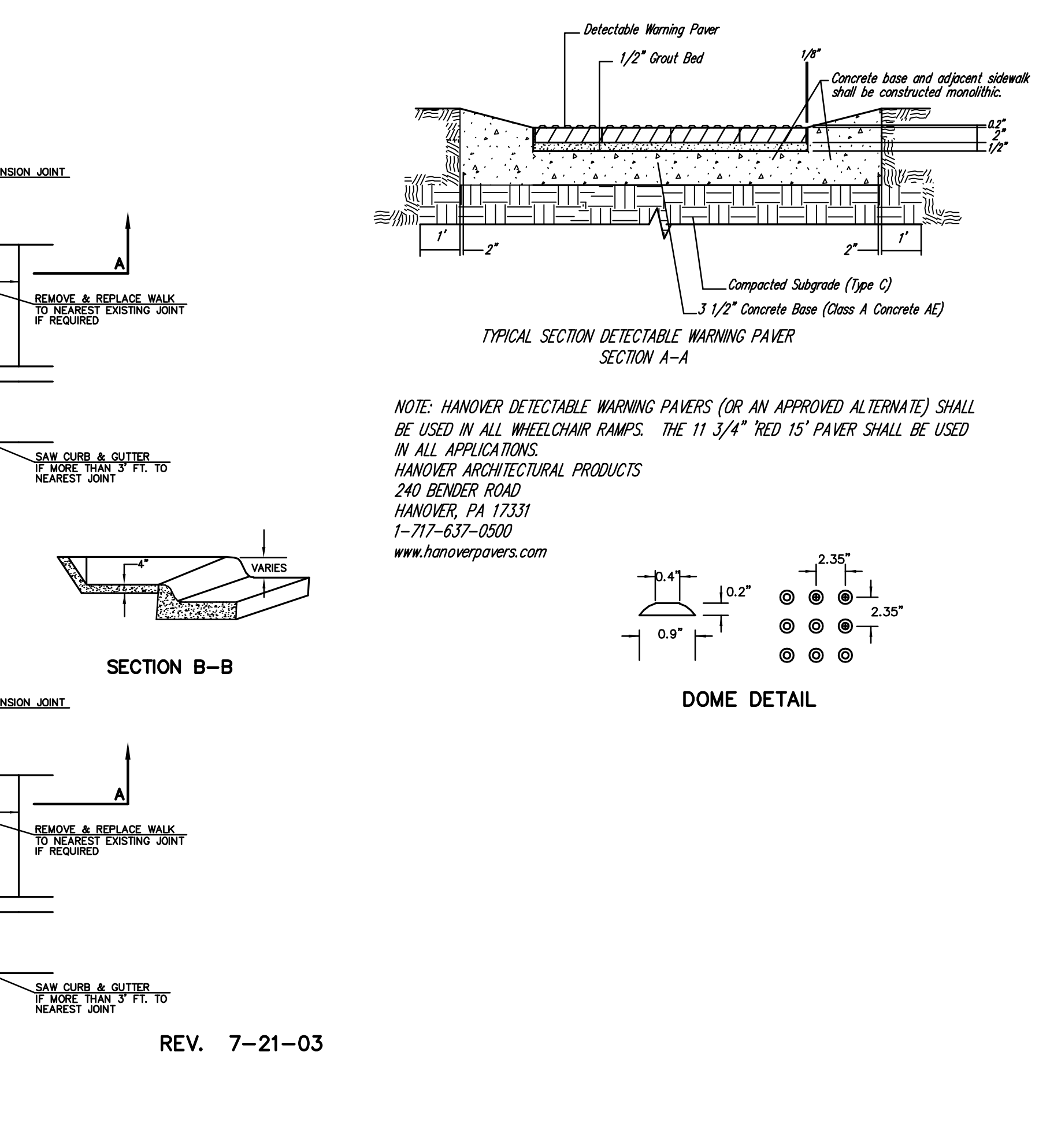
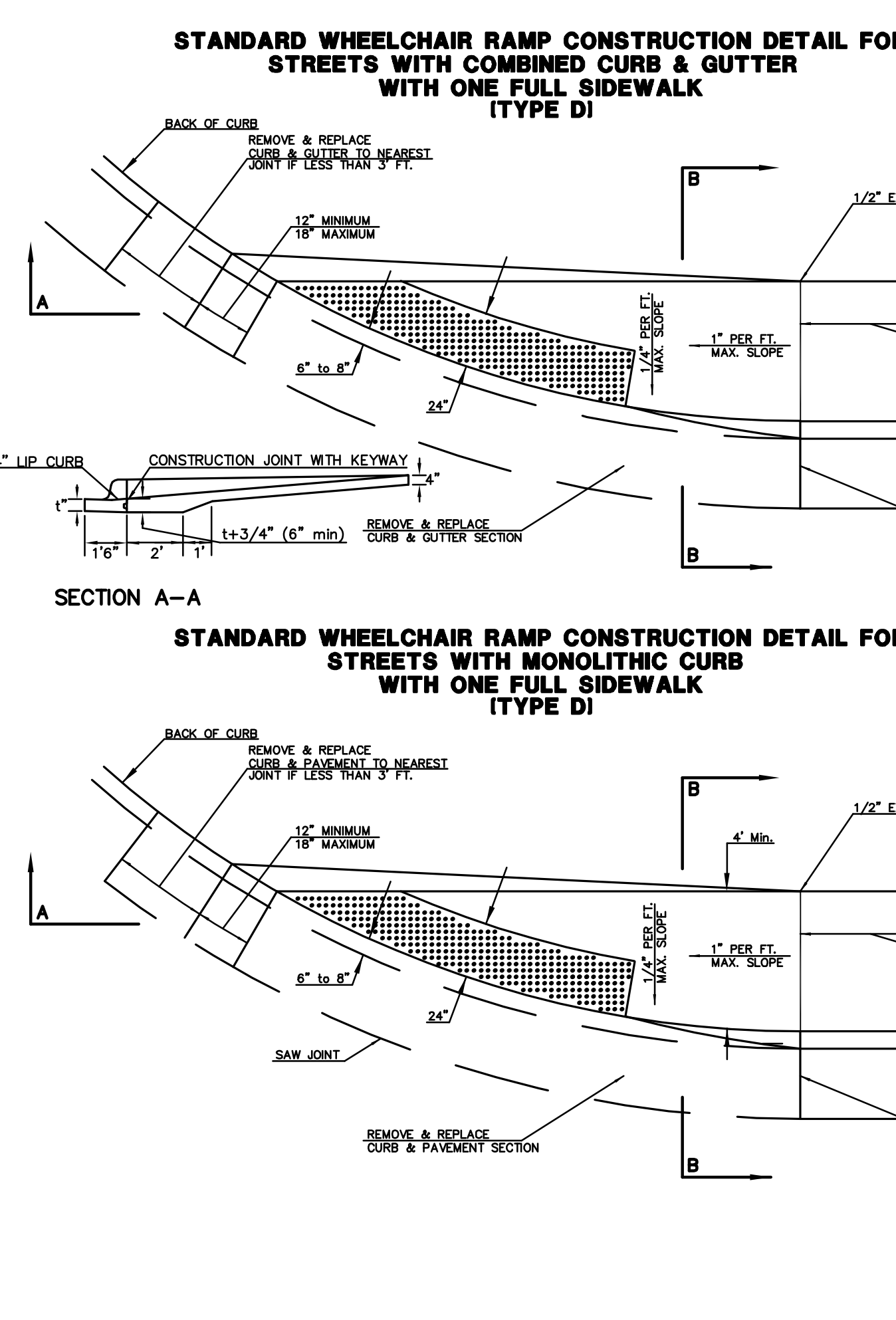
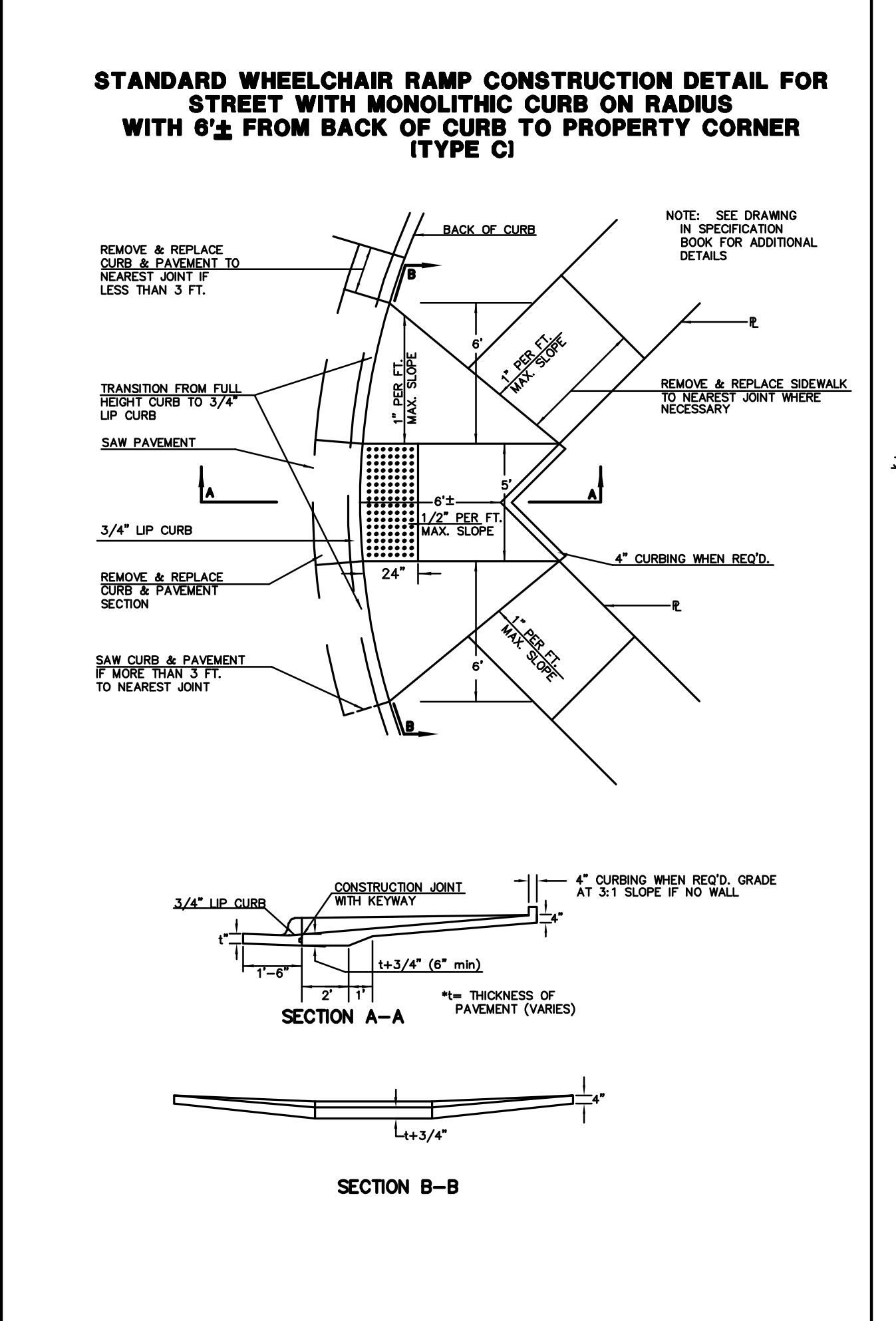
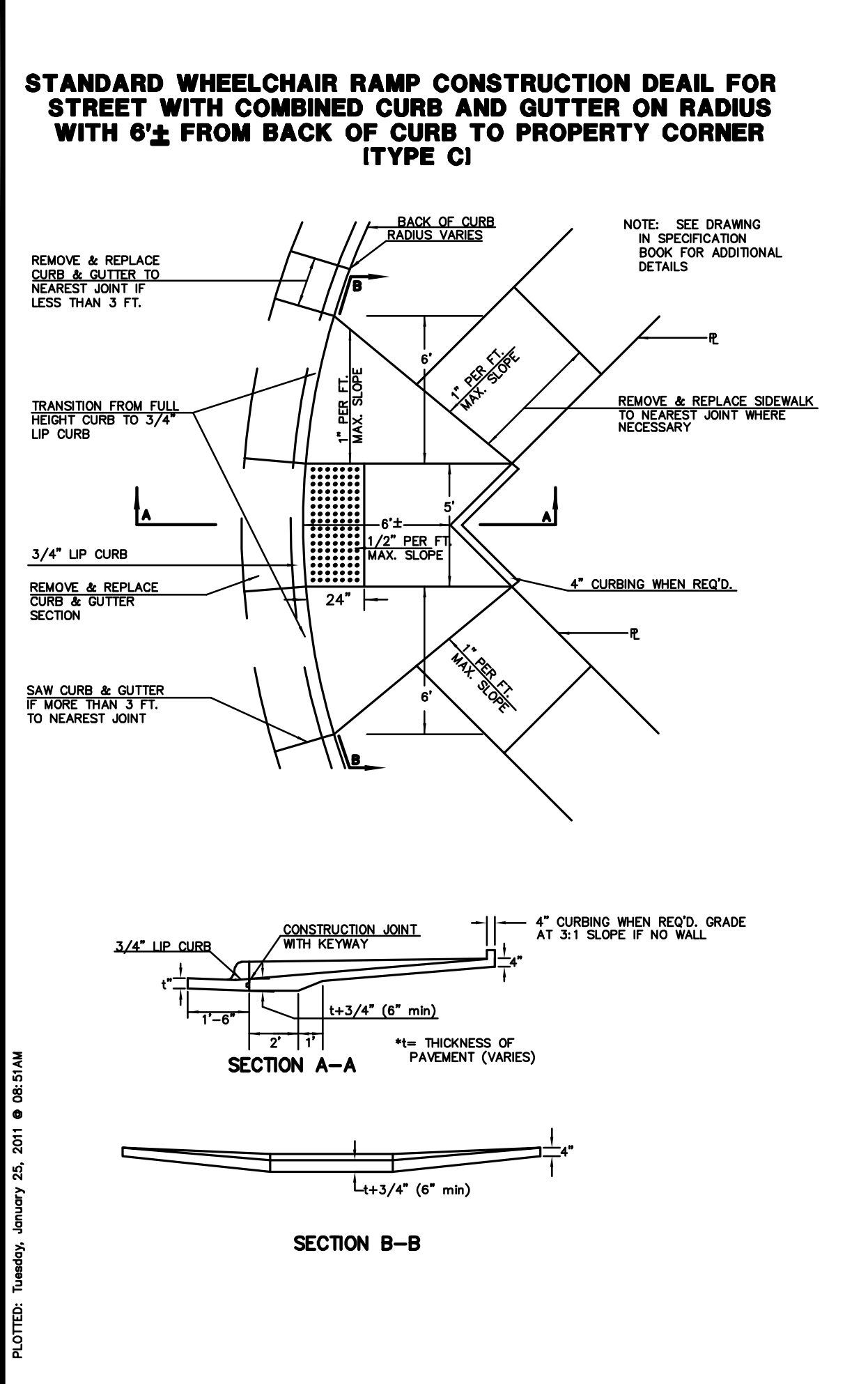
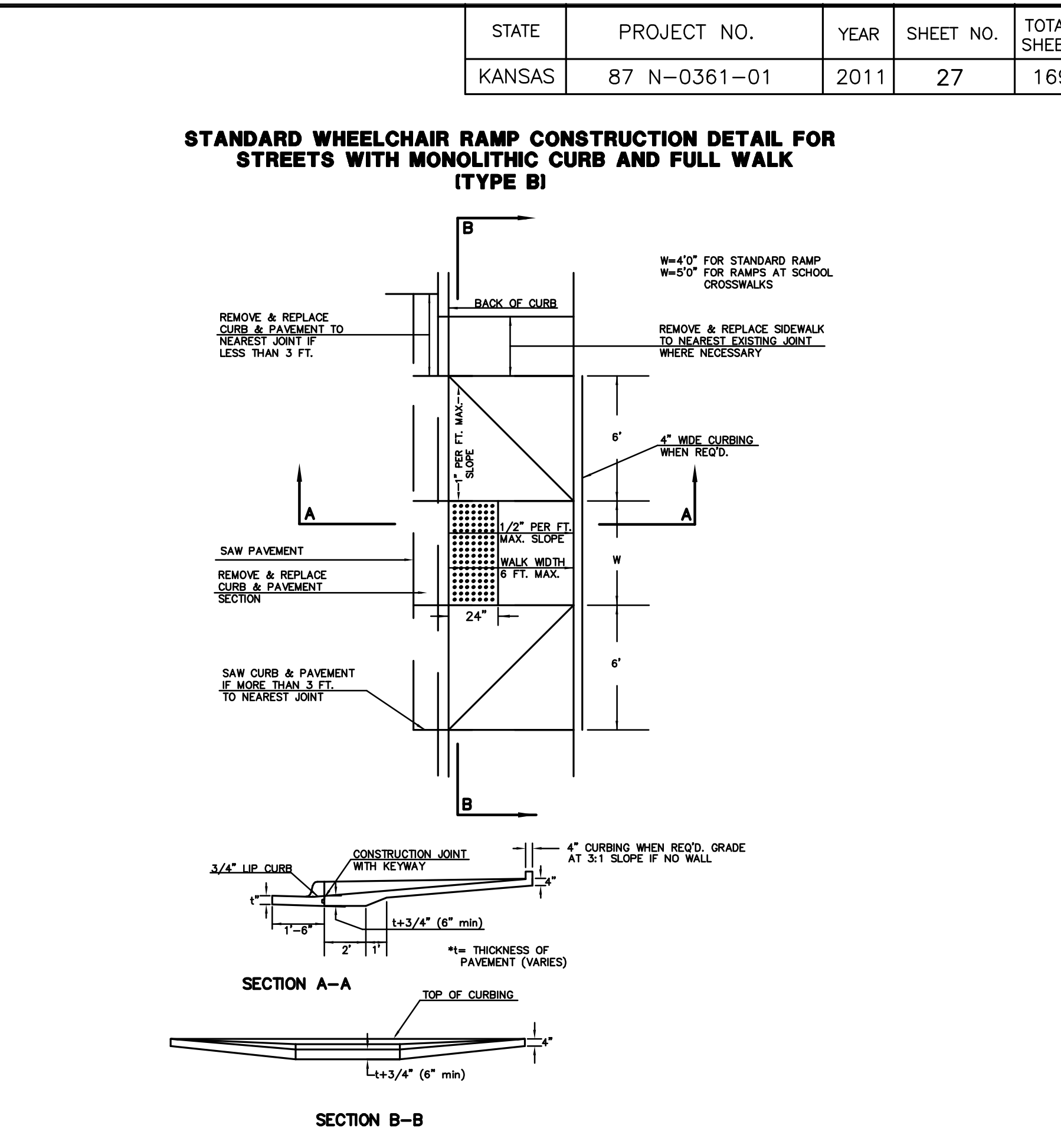
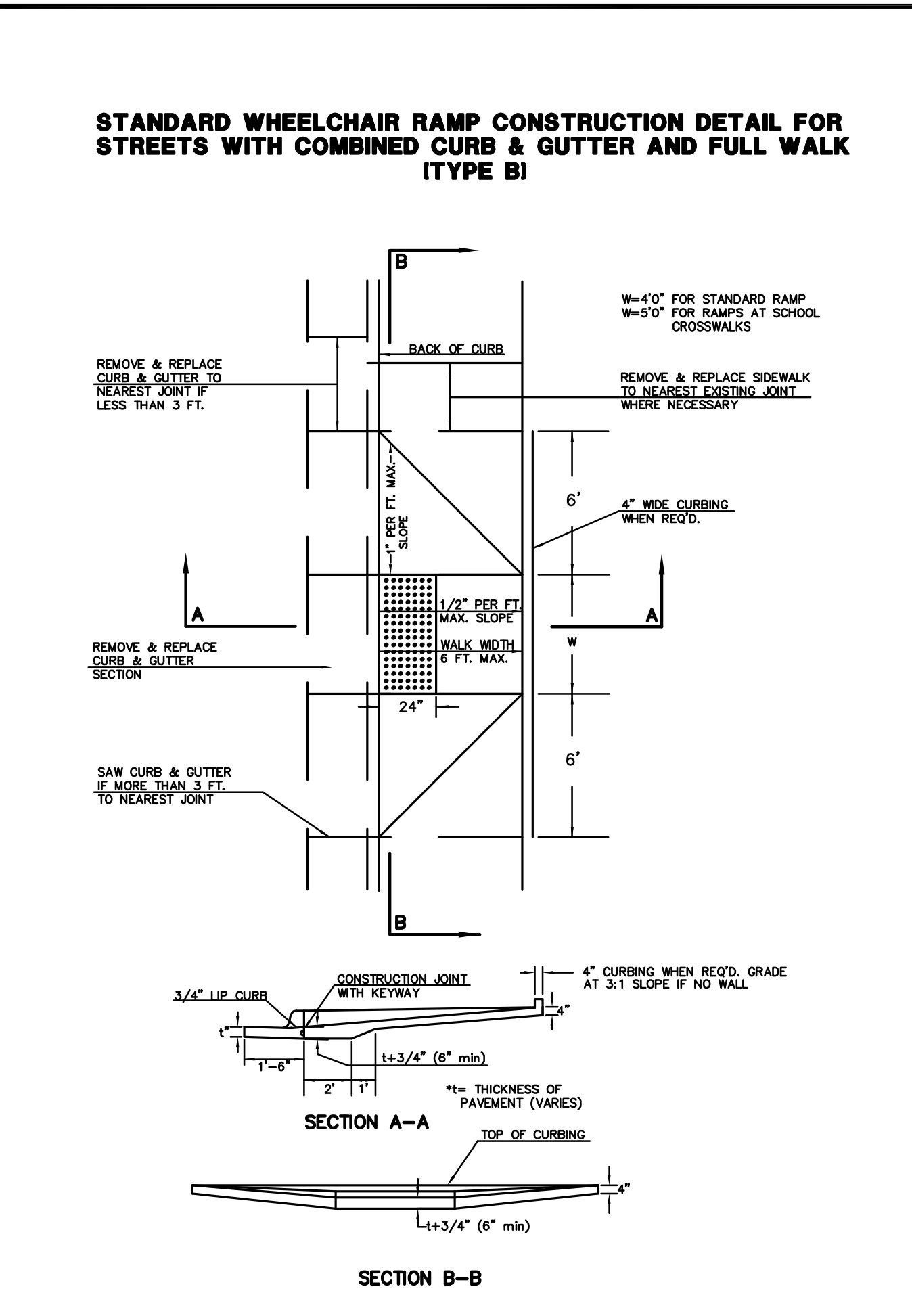
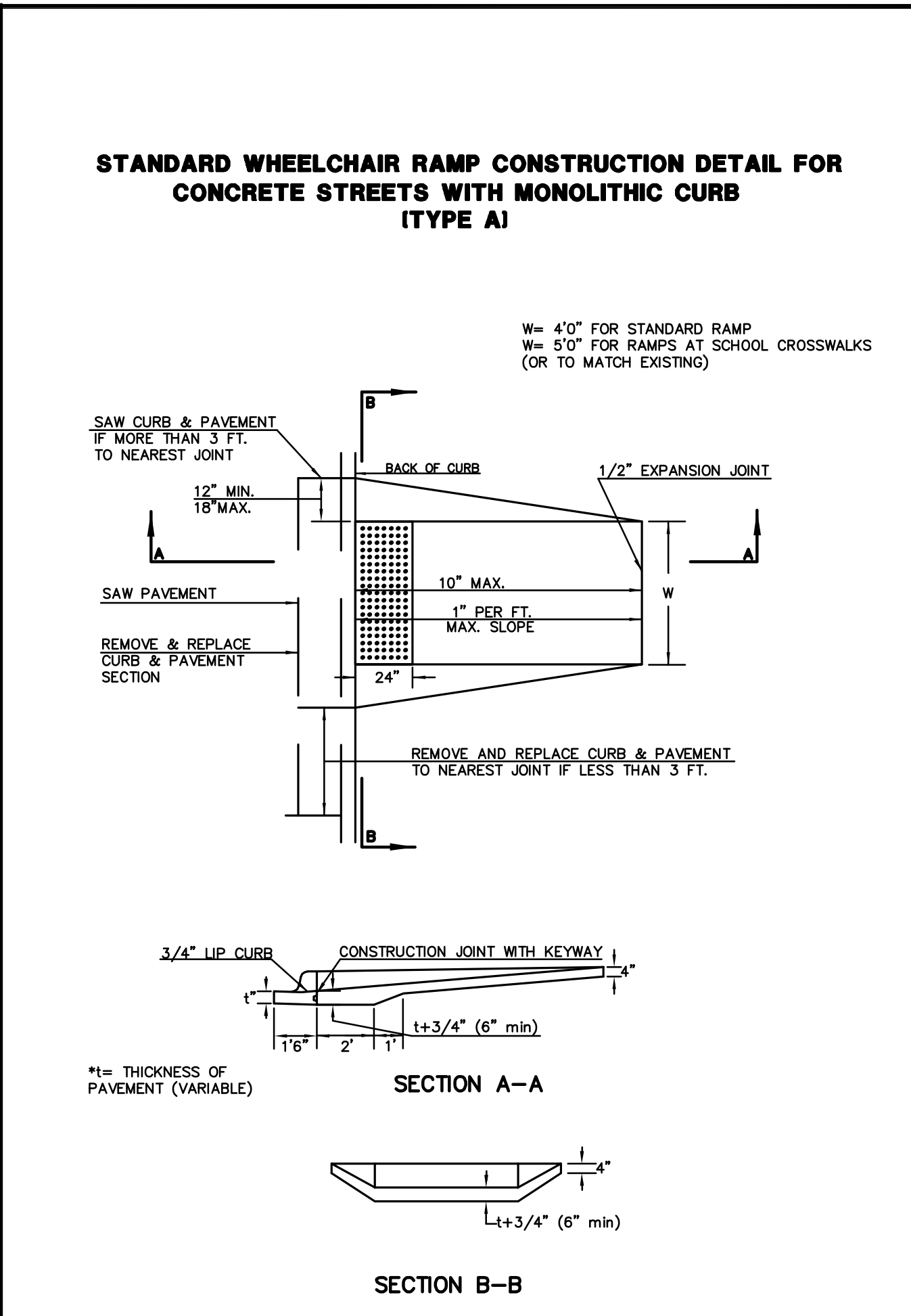
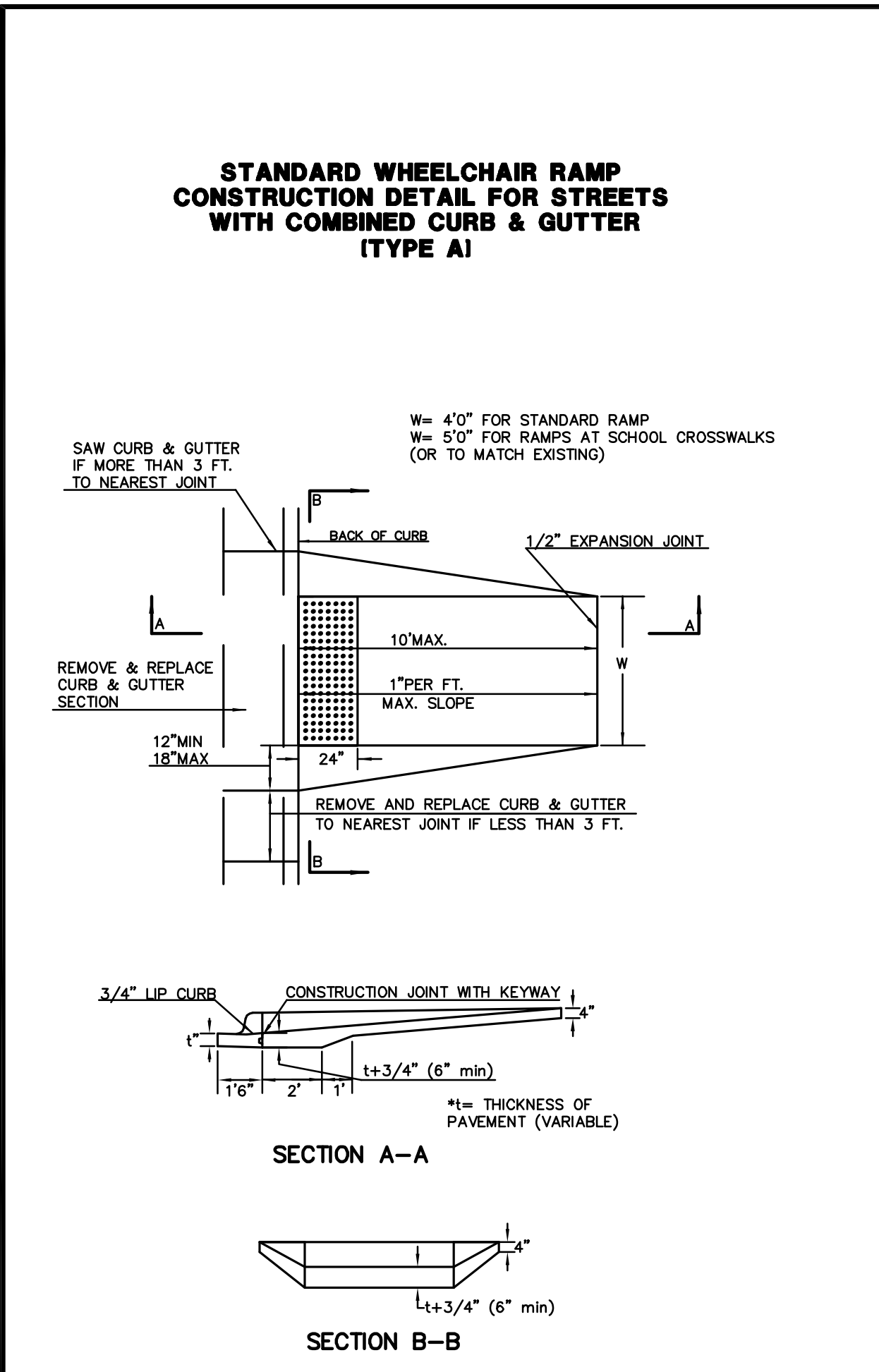
**LINCOLN STREET BRIDGE AND  
DAM IMPROVEMENTS OVER  
ARKANSAS RIVER**

**WHEEL CHAIR  
RAMP DETAILS**  
SHEET TITLE  
472-84883  
PROJECT NUMBER

JRA  
DESIGN BY  
JSB  
DRAWN BY  
JRA  
CHECKED BY

ISSUED  
1/24/2011  
REVISED

SHEET NO.  
27 of 169



PLOTTED: Tuesday, January 25, 2011 8:58 AM

J:\CIVIL\07433\DWG\BRIDGE\PAV\07433 WC RAMP.DWG