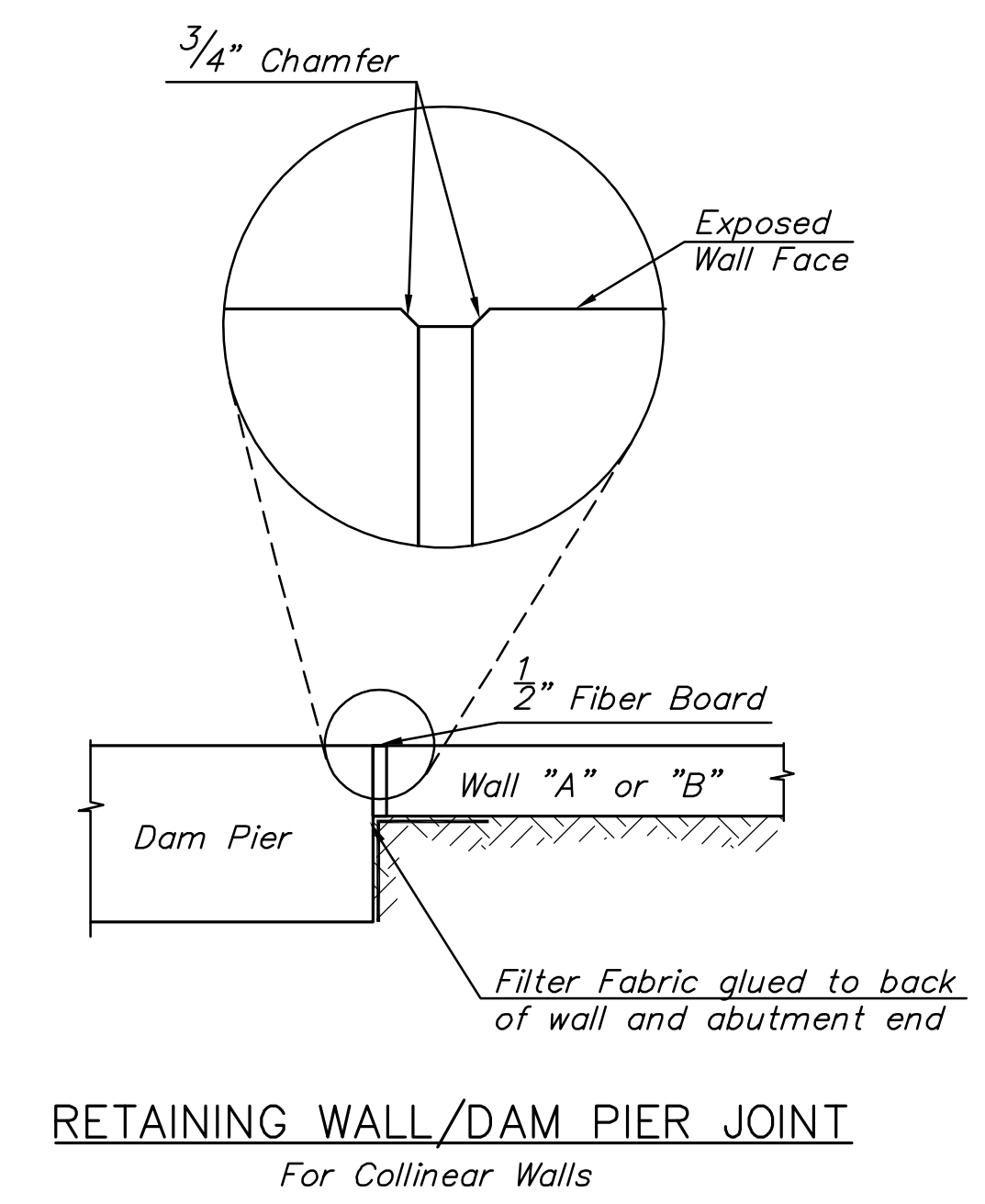
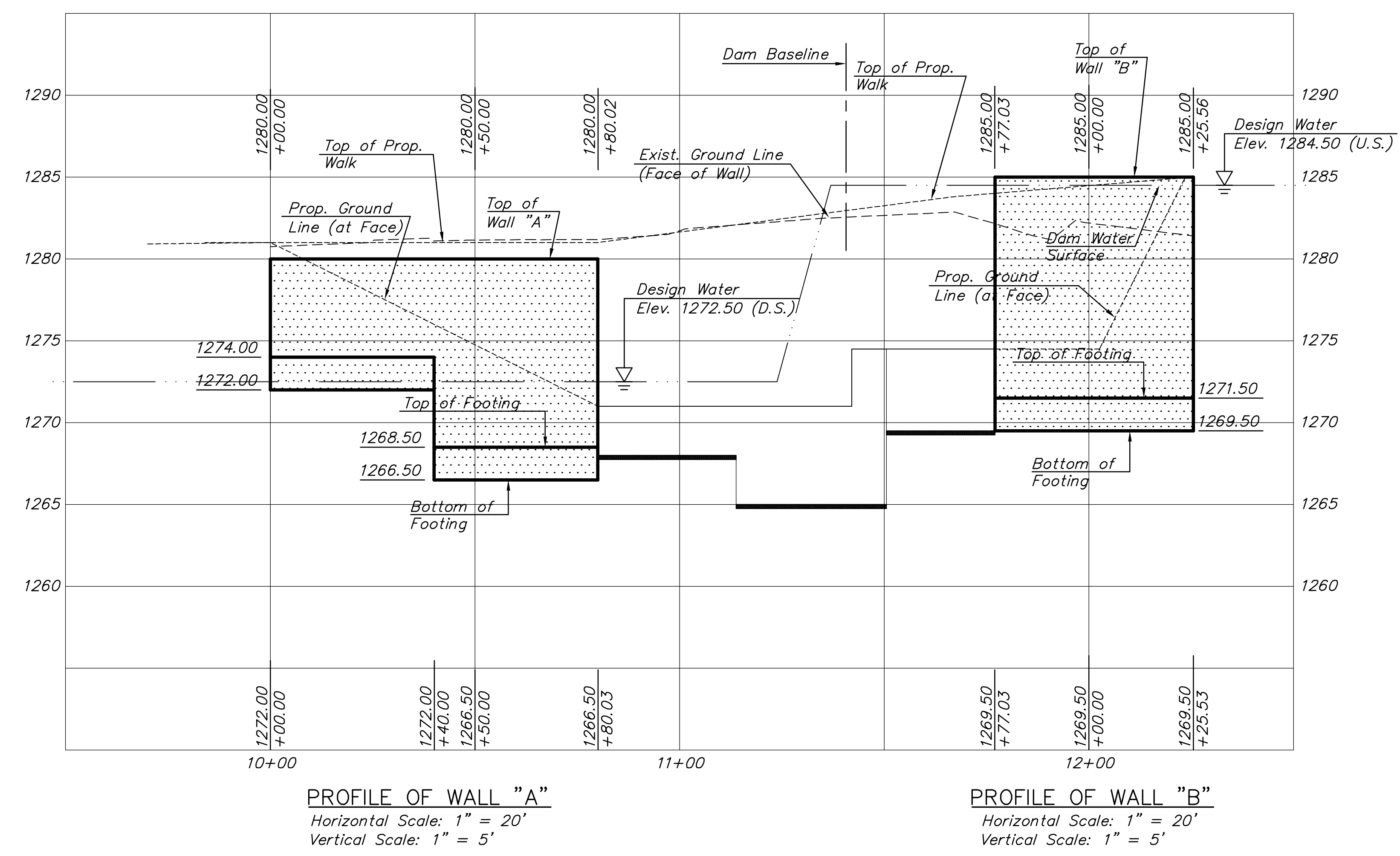
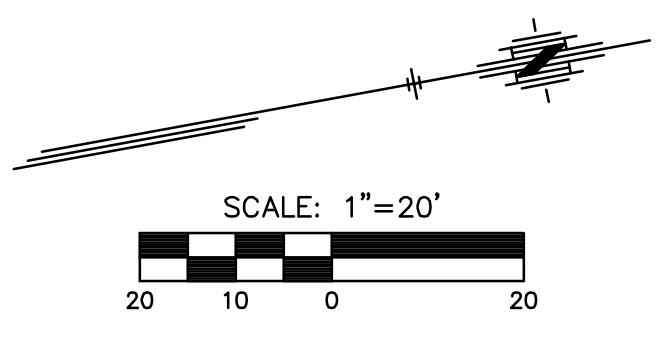
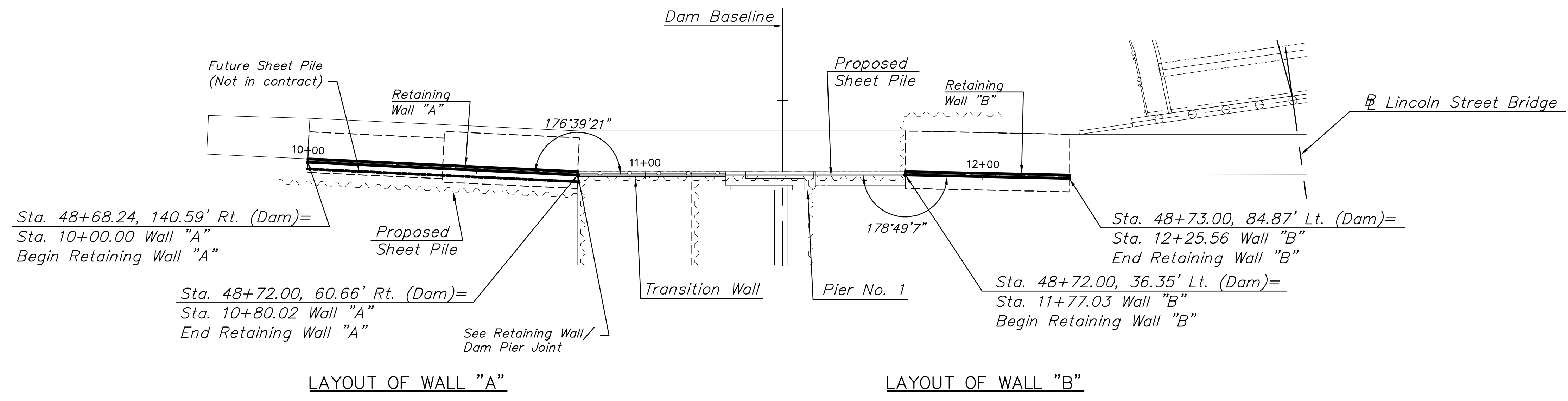


| STATE | PROJECT NO. | YEAR | SHEET NO. | TOTAL SHEETS |
|--------|--------------|------|-----------|--------------|
| KANSAS | 87 N-0361-01 | 2011 | 38 | 169 |

MKEC
ENGINEERING
CONSULTANTS, INC.
411 N. WEBB ROAD
WICHITA, K.S. 67206
316-684-9600



**LINCOLN STREET BRIDGE AND
DAM IMPROVEMENTS OVER
ARKANSAS RIVER**

**CAST-IN-PLACE
CONCRETE
RETAINING
WALL "A" & "B"**
SHEET TITLE
472-84883
PROJECT NUMBER

DESIGN BY: JRA
DRAWN BY: DPG
CHECKED BY: KJS

ISSUED: 1/24/2011
REVISED:

SHEET NO.
38 of 169

PLOTTED: Tuesday, January 25, 2011 8:58 AM

J:\CIVIL\07433\DWG\BRIDGE\PAV\07433_CIP_RETAIN_WALL_A-B.DWG