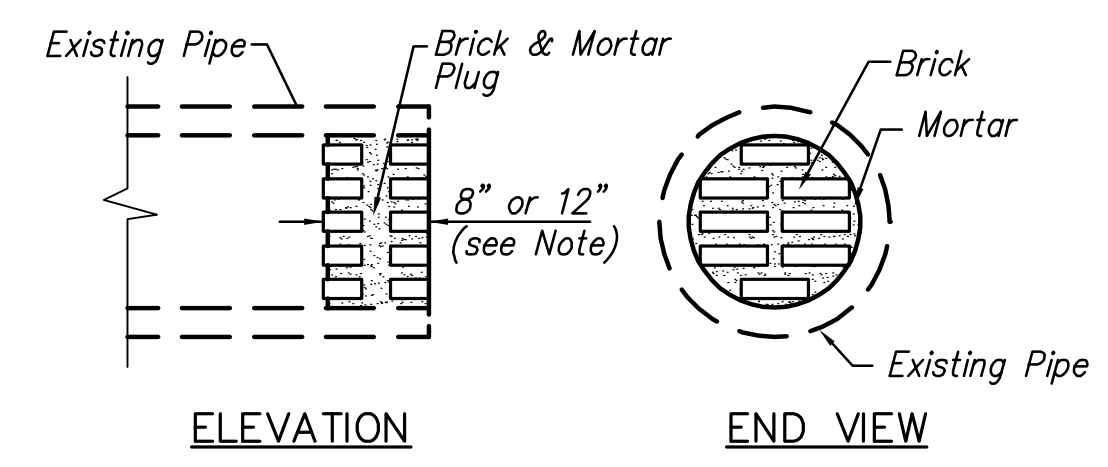


STATE	PROJECT NO.	YEAR	SHEET NO.	TOTAL SHEETS
KANSAS	87 N-0361-01	2011	49	169

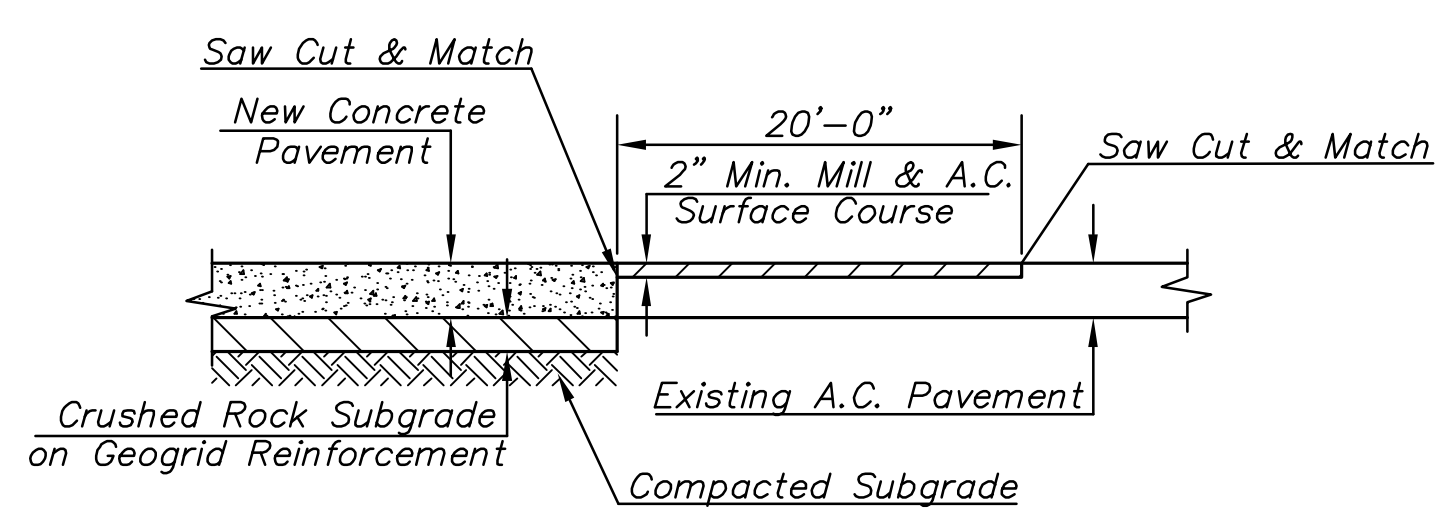
MKEC
ENGINEERING
CONSULTANTS, INC.
411 N. WEBB ROAD
WICHITA, KS. 67206
316-684-9600



PIPE PLUGGING DETAIL

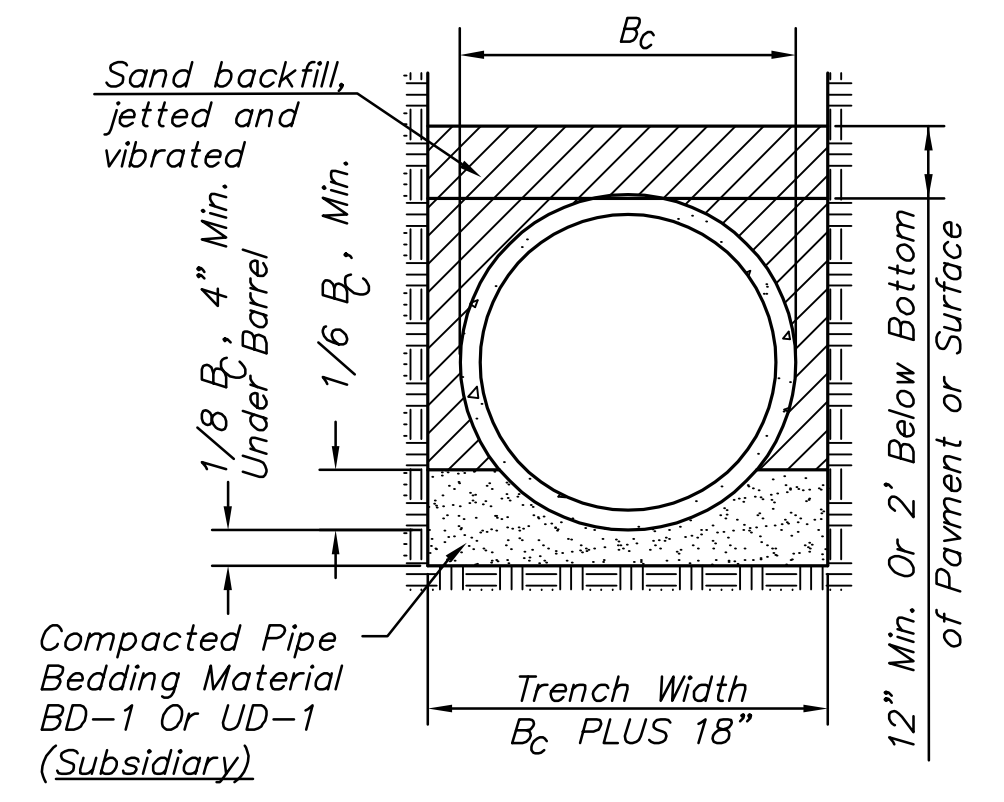
Note:
Pipe Plugs Shall Be Constructed Of Brick Masonry, With Construction Requirements And Materials Conforming To The Same Requirements As Specified For A Masonry Construction In The Std. Specs. Pipes Having Diameters Of 18" Or Smaller Shall Be Plugged With 8" Thick Plug. Pipes Having Diameters Larger Than 18" Shall Be Plugged With 12" Thick Plug. The Construction Of Pipe Plugs Shall Not Be Paid For Directly, But Shall Be Considered Subsidiary To Pipe Installation.

The Contractor May Use Other Methods To Plug Existing Pipe If Approved By The Project Engineer.

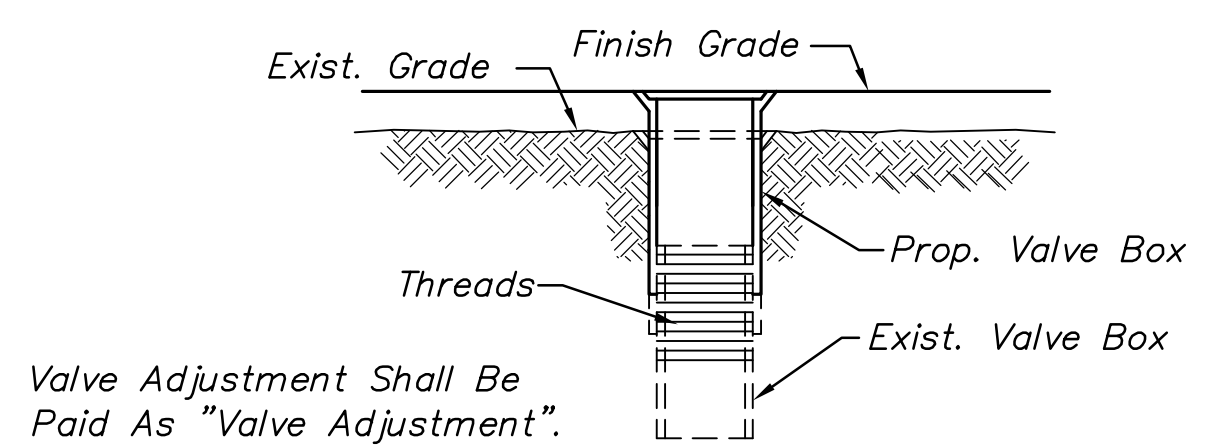


A.C. PAVEMENT HOOKUP DETAIL

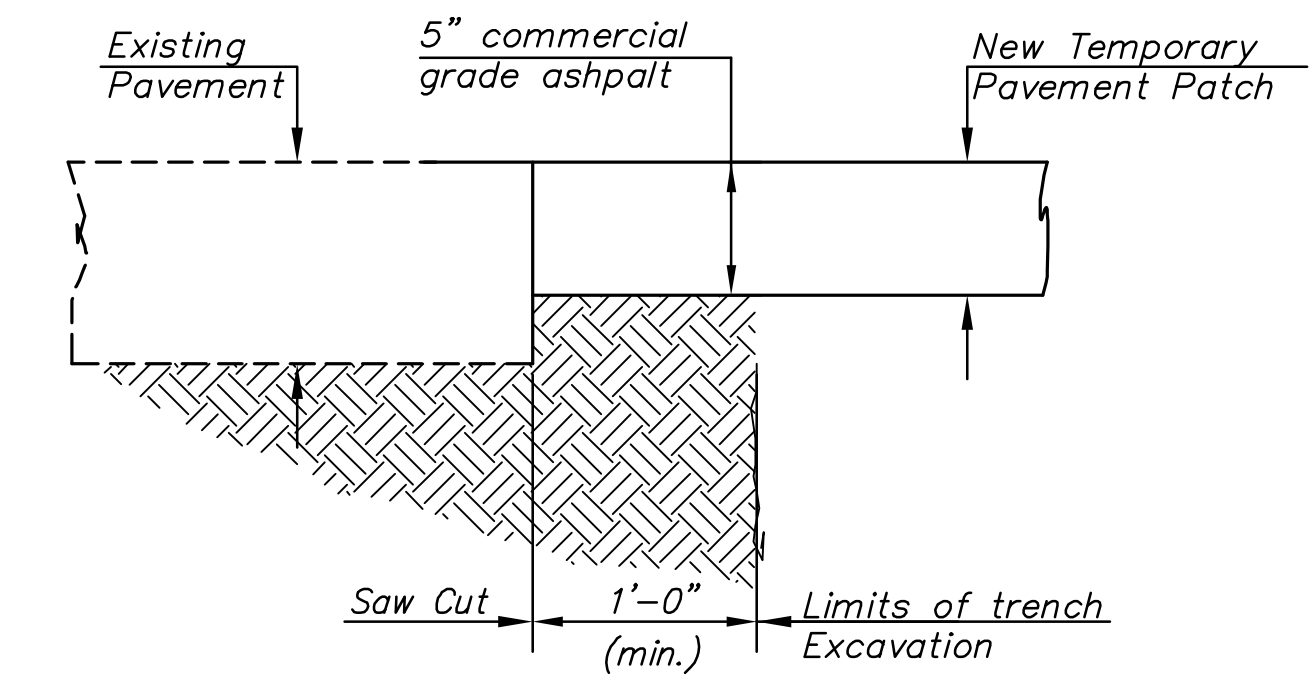
A.C. Pavement Hookup shall be subsidiary to the concrete pavement adjacent to each hookup.



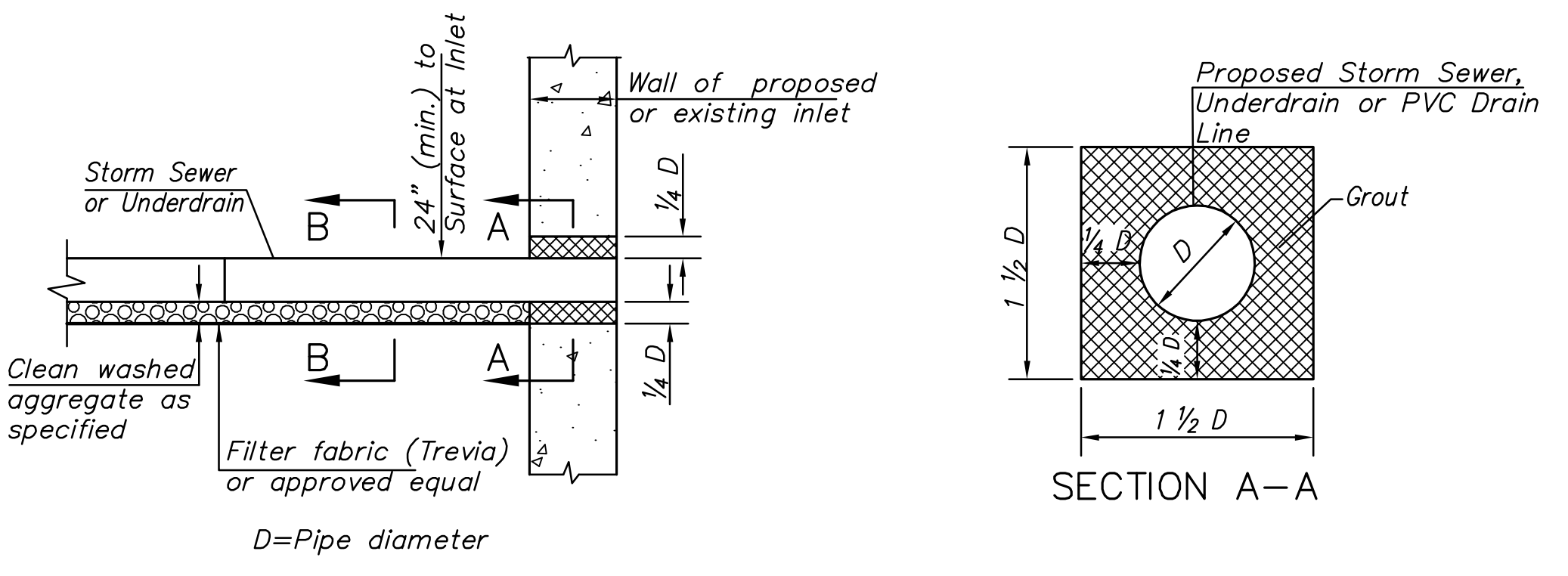
STORM SEWER TRENCH DETAIL
(Storm Sewer Pipe)



WATER VALVE BOX ADJUSTMENT DETAIL

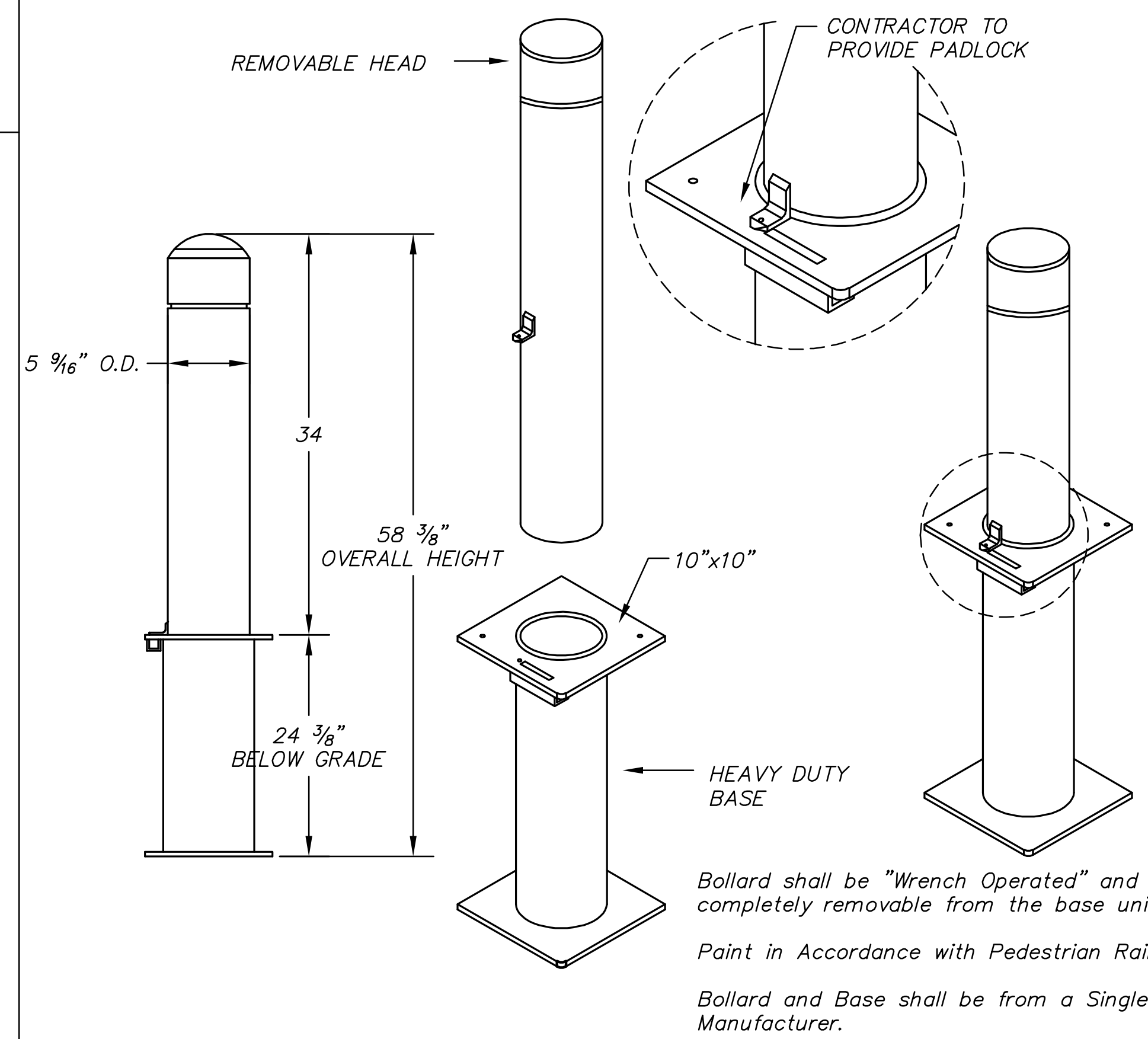


TEMPORARY UTILITY PAVEMENT PATCH

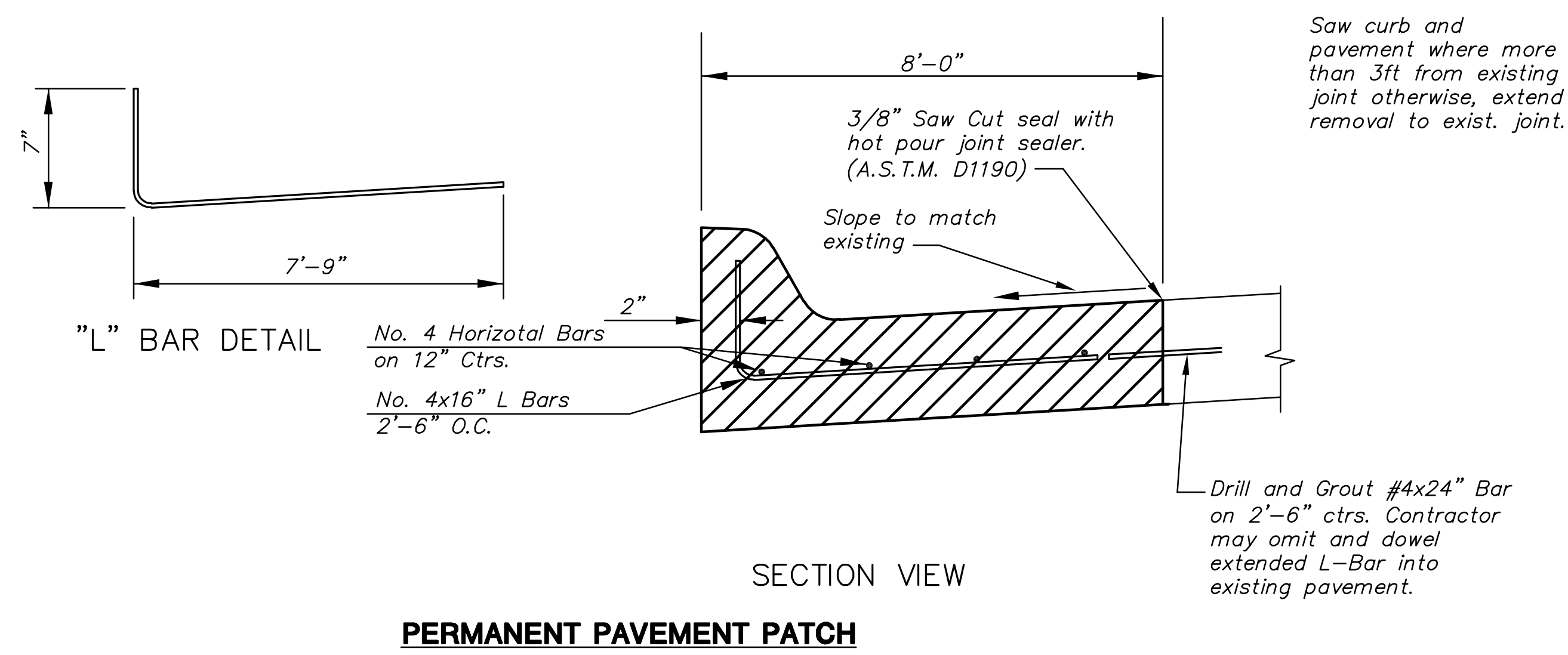


PIPE CONNECTION DETAIL

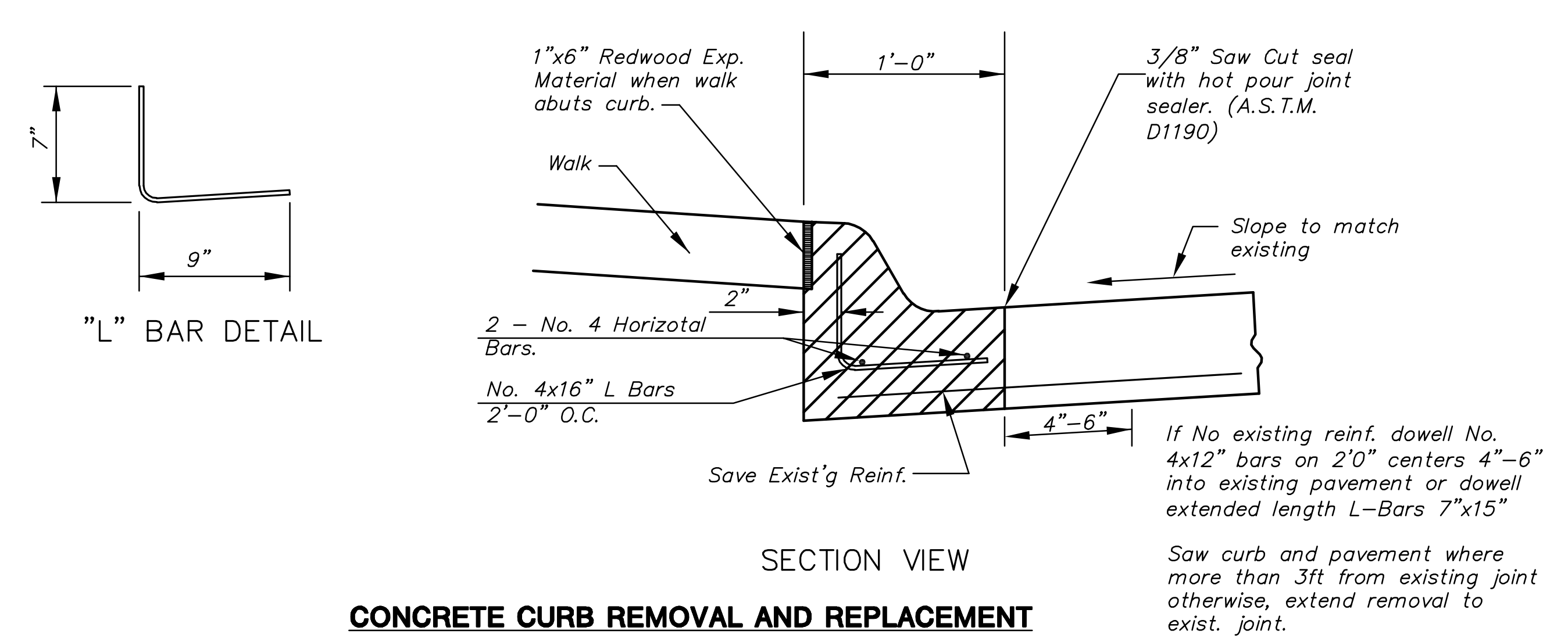
Contractor to remove section from existing (or proposed structure) and patch around pipe.
NOTE: A hole shall be made through existing structures as shown to accommodate pipe connections. Round holes are acceptable. Clean gravel and filter fabric around pipe will not be required around concrete storm sewer pipe.



Bollard shall be "Wrench Operated" and completely removable from the base unit.
Paint in Accordance with Pedestrian Rail.
Bollard and Base shall be from a Single Manufacturer.



PERMANENT PAVEMENT PATCH



CONCRETE CURB REMOVAL AND REPLACEMENT

**LINCOLN STREET BRIDGE AND
DAM IMPROVEMENTS OVER
ARKANSAS RIVER**

**MISCELLANEOUS
DETAILS**
SHEET TITLE
472-84883
PROJECT NUMBER

DESIGN BY
DRAWN BY
CHECKED BY

ISSUED
1/24/2011
REVISED

SHEET NO.
49 of 169

PLOTTED: Tuesday, January 25, 2011 8:08 AM
J:\CIVIL\07433\DWG\BRIDGE\PAV\07433_MISC_ DETAILS.DWG