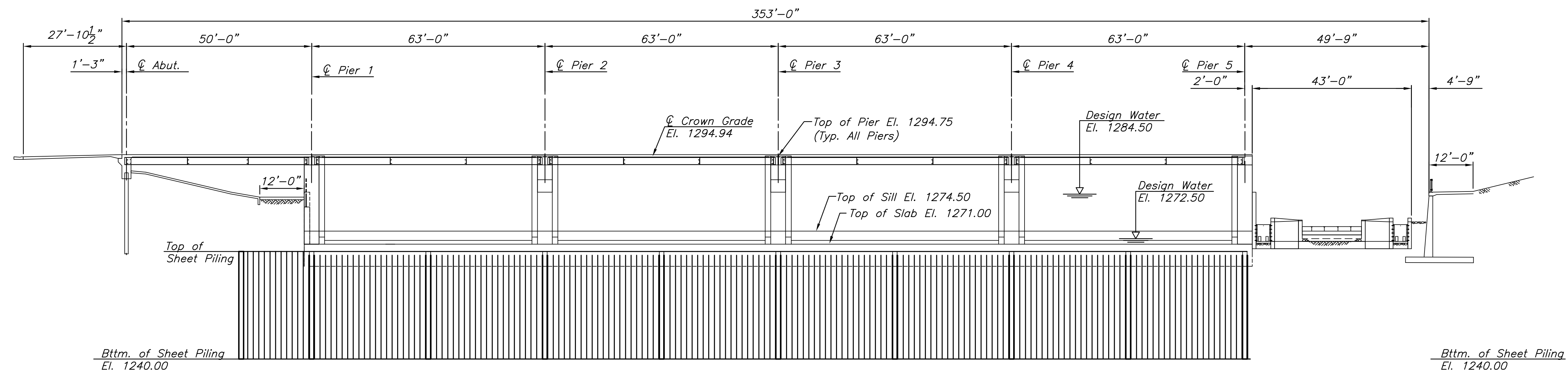


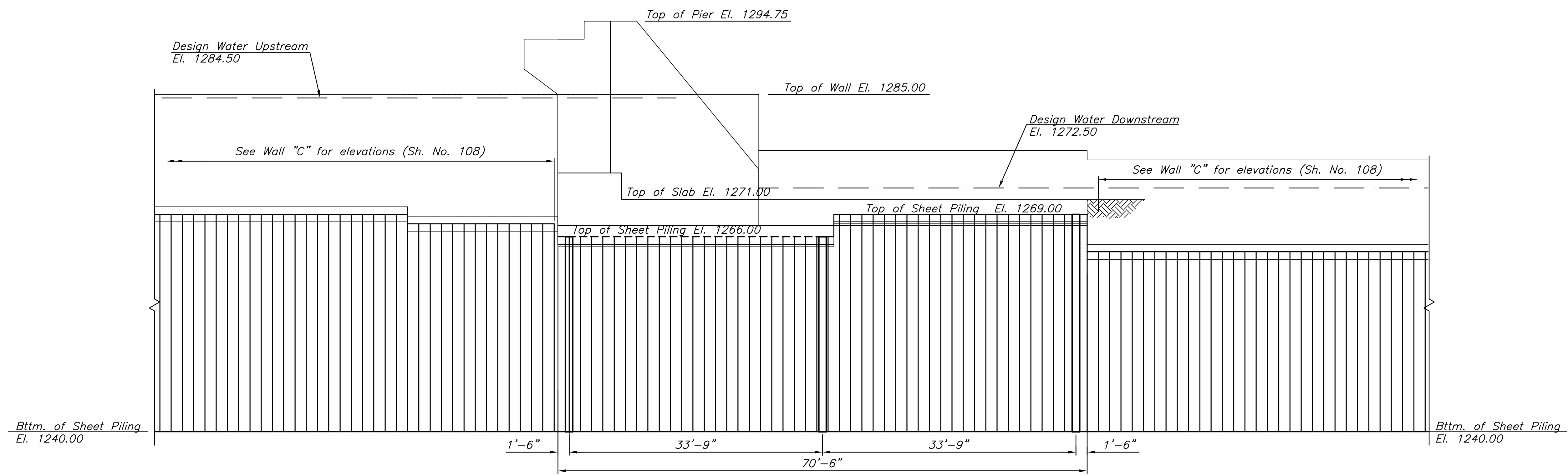
STATE	PROJECT NO.	YEAR	SHEET NO.	TOTAL SHEETS
KANSAS	87 N-0361-01	2011	81	169

MKEC
ENGINEERING
CONSULTANTS, INC.
411 N. WEBB ROAD
WICHITA, K.S. 67206
316-684-9600



DAM FOUNDATION - SOUTH ELEVATION

SCALE: 1" = 16'



DAM FOUNDATION - EAST BANK ELEVATION

SCALE: 1" = 8'

**LINCOLN STREET BRIDGE AND
DAM IMPROVEMENTS OVER
ARKANSAS RIVER**

DAM FOUNDATION ELEVATION
SHEET TITLE
472-84883
PROJECT NUMBER

DESIGN BY: JAG
DRAWN BY: DPG
CHECKED BY: KJS

ISSUED: 1/24/2011
REVISED:

SHEET NO.
81 of 169

PLOTTED: Tuesday, January 25, 2011 @ 08:44AM

J:\CIVIL\07433\DWG\DA\PLANS\07433 SHEET PILE ELEV.DWG