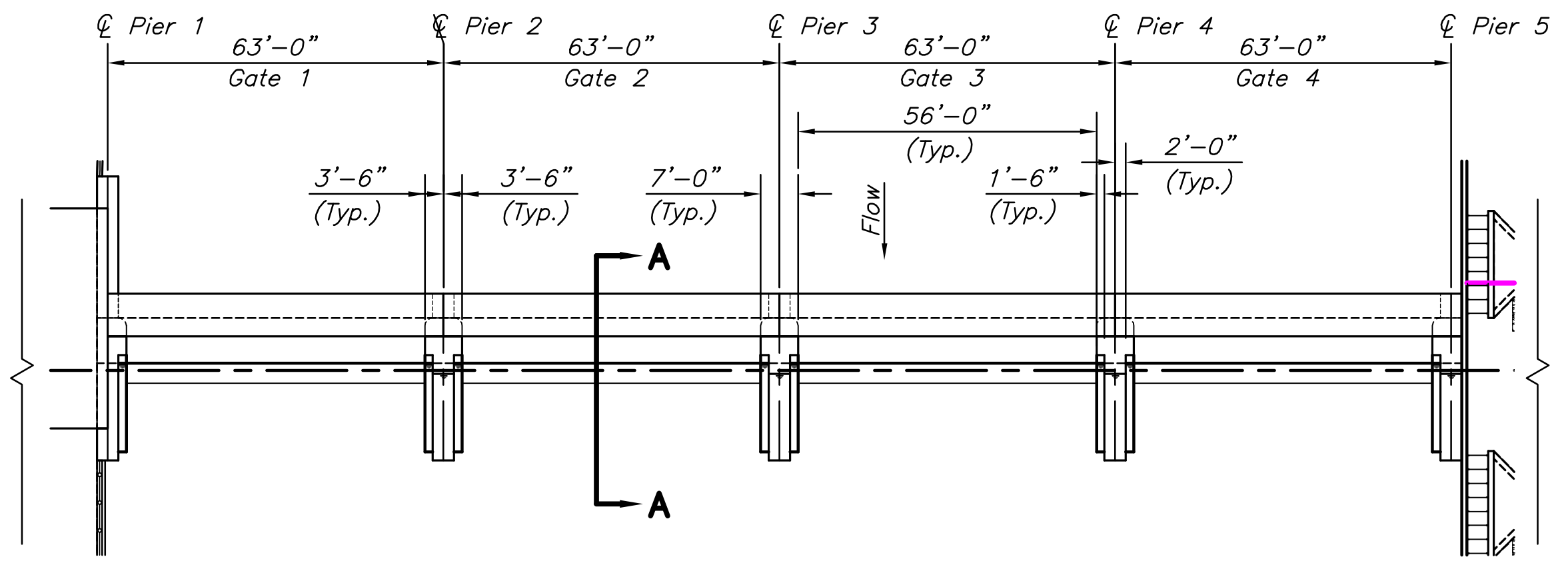


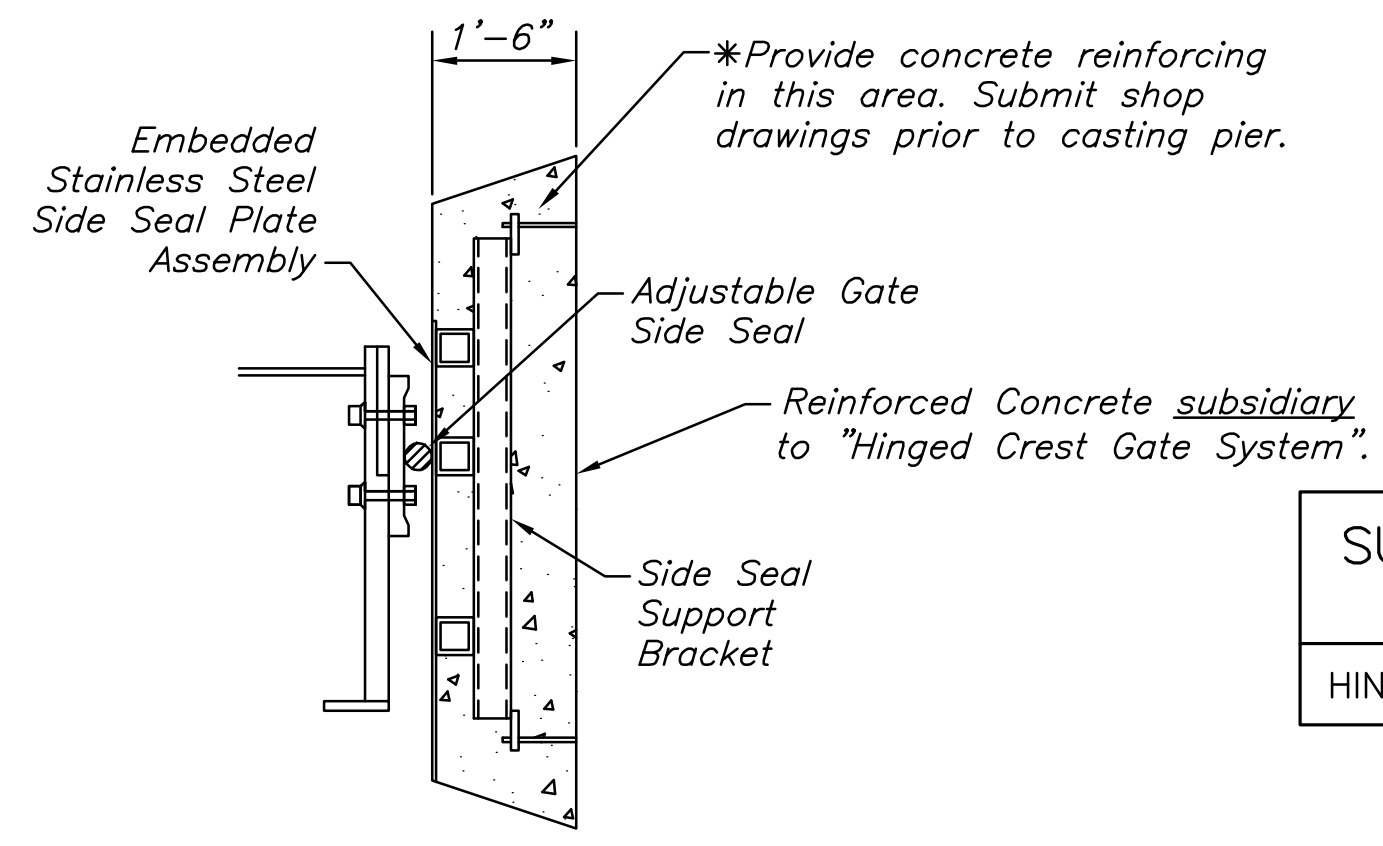
STATE	PROJECT NO.	YEAR	SHEET NO.	TOTAL SHEETS
KANSAS	87 N-0361-01	2011	91	169

MKEC
ENGINEERING
CONSULTANTS, INC.
411 N. WEBB ROAD
WICHITA, K.S. 67206
316-684-9600

**LINCOLN STREET BRIDGE AND
DAM IMPROVEMENTS OVER
ARKANSAS RIVER**

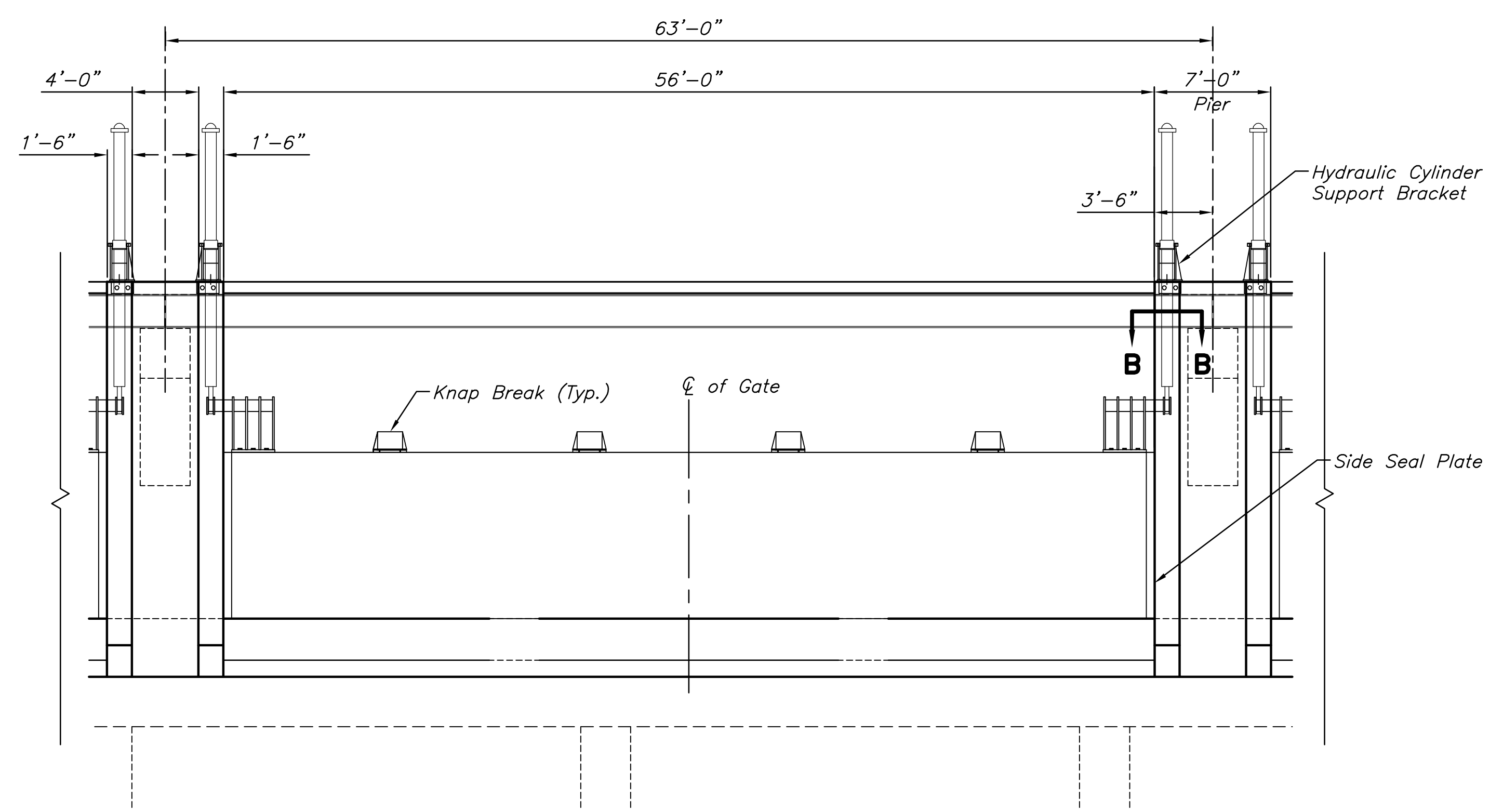


GATE VIEW - PLAN

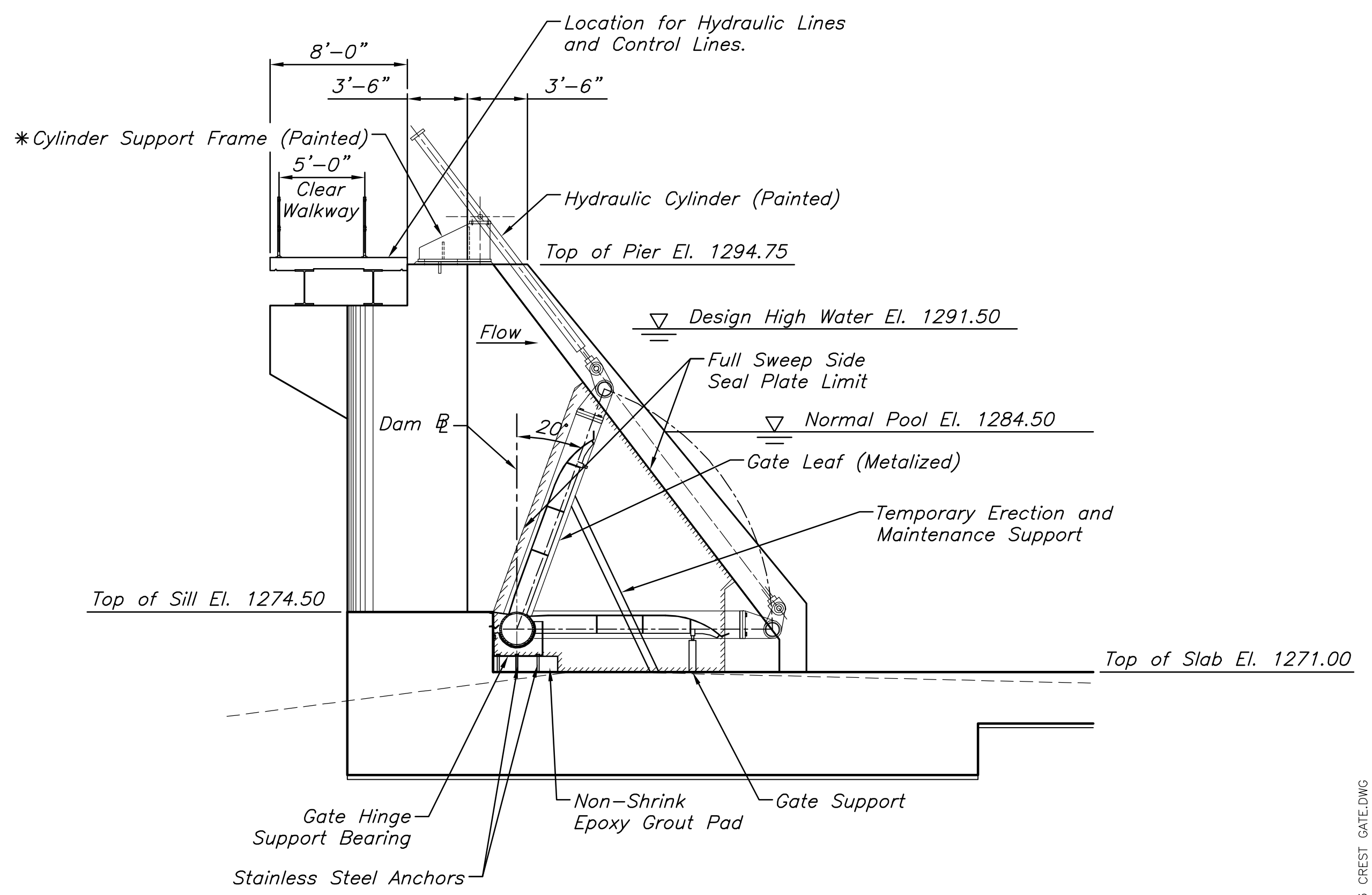


SECTION B-B
NOT TO SCALE

SUMMARY OF QUANTITIES HINGED CREST GATE SYSTEM		
HINGED CREST GATE SYSTEM	1	L.S.



INTERIOR GATE - TYPICAL ELEVATION



SECTION A-A

**HINGED CREST
GATE DETAILS**

SHEET TITLE
472-84883
PROJECT NUMBER

DESIGN BY: JAG
DRAWN BY: DMU
CHECKED BY: KJS

ISSUED: 1/24/2011
REVISED:

SHEET NO.
91 of 169

PLOTTER: Tandy, January 25, 2011 © 2011 MKEC

J:\CIVIL\07433\DWG\DA\PLANS\07433_CREST_GATE.DWG