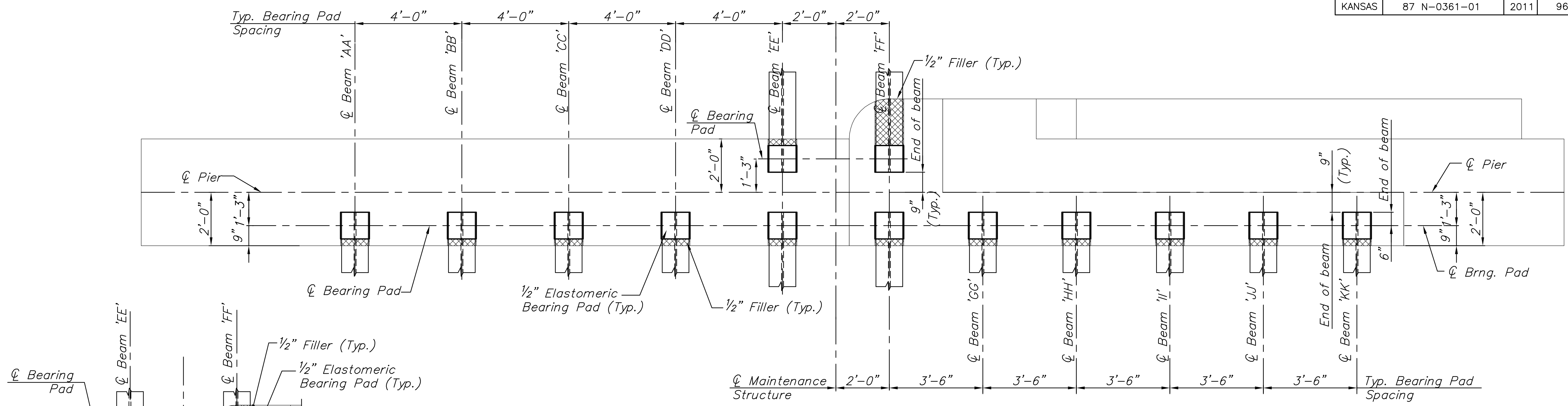


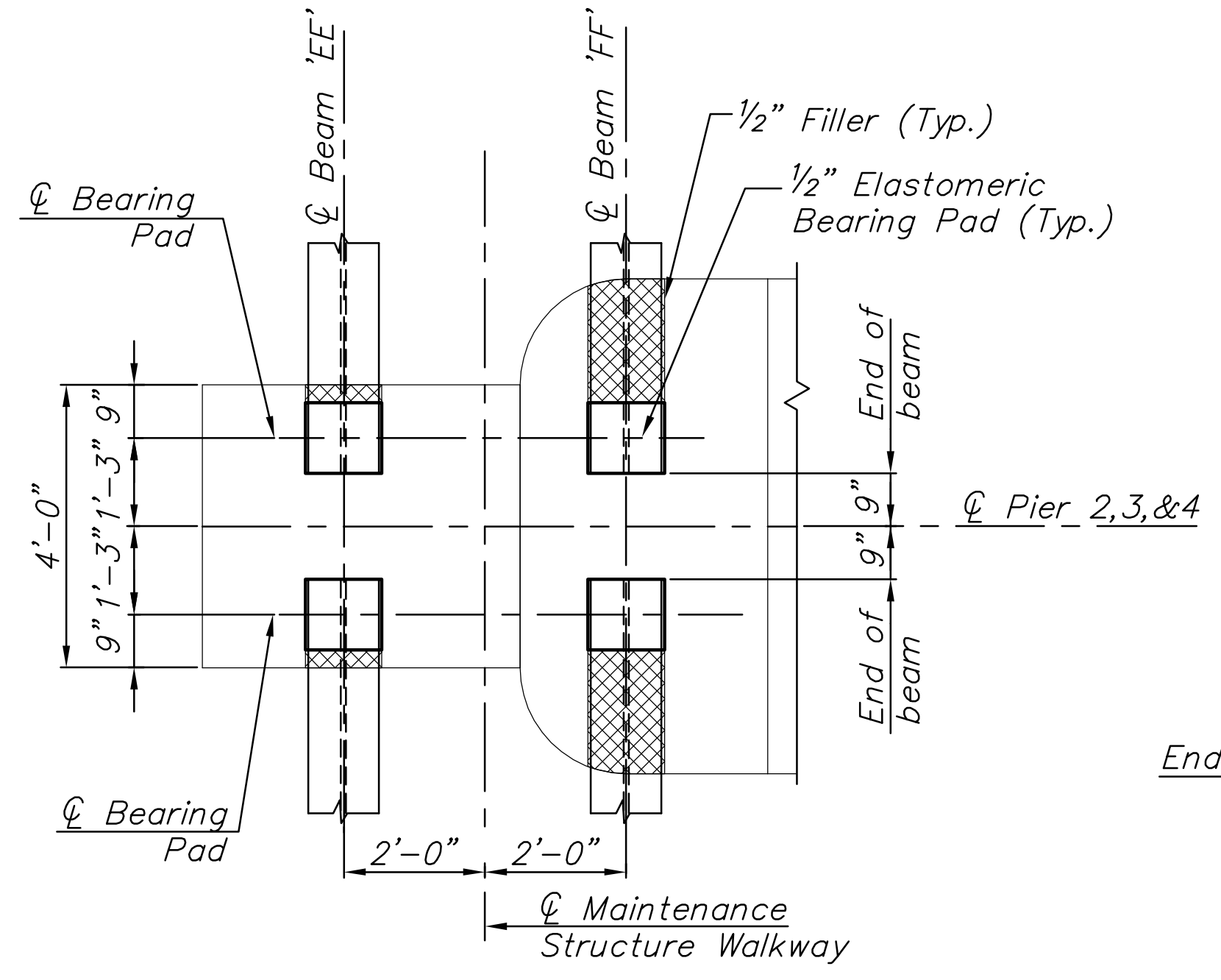
STATE	PROJECT NO.	YEAR	SHEET NO.	TOTAL SHEETS
KANSAS	87 N-0361-01	2011	96	169

MKEC
ENGINEERING
CONSULTANTS, INC.
411 N. WEBB ROAD
WICHITA, K.S. 67206
316-684-9600

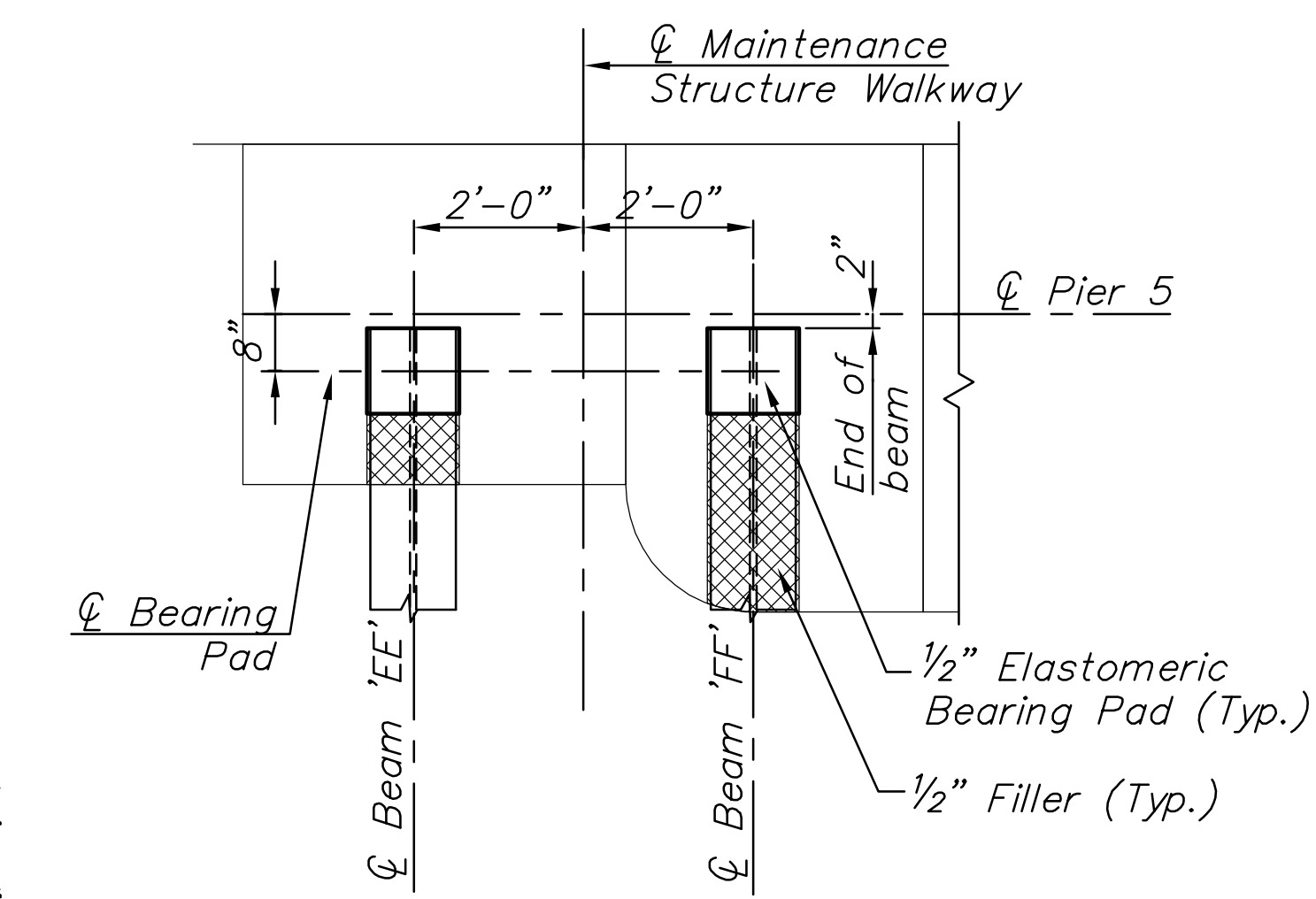
**LINCOLN STREET BRIDGE AND
DAM IMPROVEMENTS OVER
ARKANSAS RIVER**



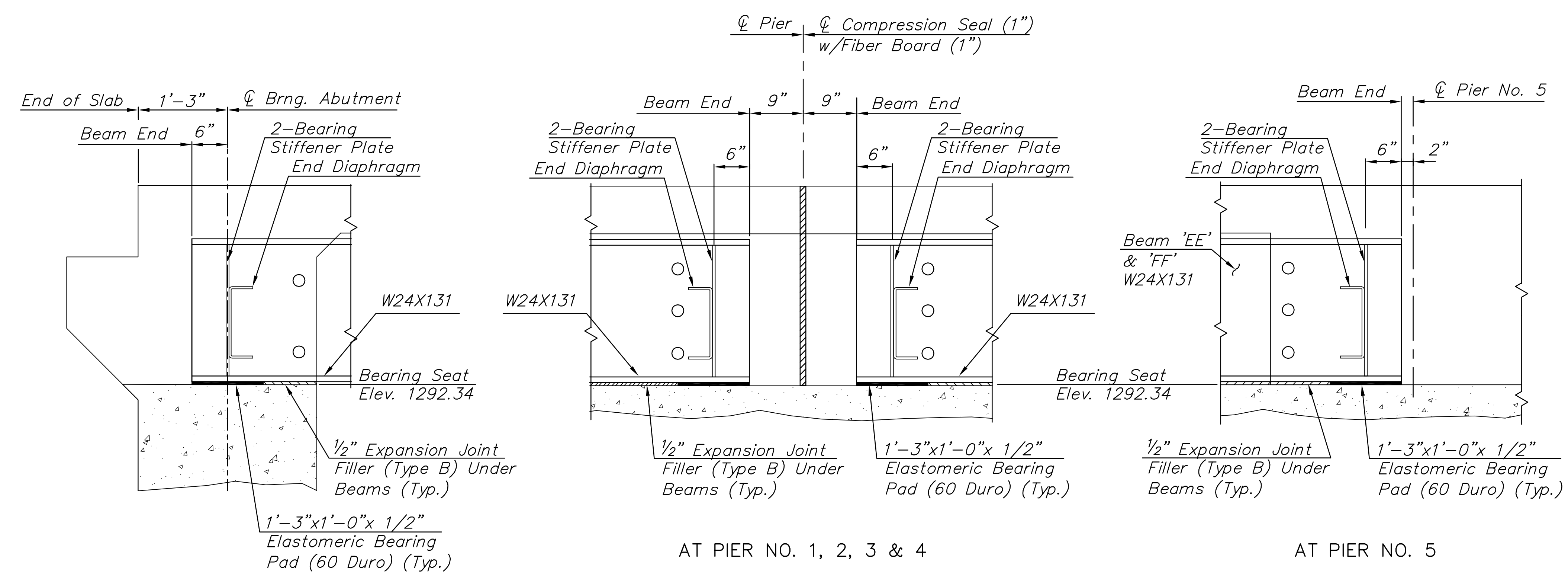
BEARING PAD LAYOUT AT PIER NO. 1
(Layout at Abutment No. 1 Similar)



BEARING PAD LAYOUT AT PIER NO. 2, 3, & 4



BEARING PAD LAYOUT AT PIER NO. 5



**ABUTMENT BEARING SEAT DETAIL
AND DIAPHRAM CONNECTION**

PIER BEARING SEAT DETAIL AND DIAPHRAM CONNECTION

Elastomeric Bearing Pad and Expansion Joint Filler shall be
Subsidiary to "Reinforced Concrete Maintenance Structure Deck"

**MAINTENANCE
STRUCTURE
BEARING
DETAILS**
SHEET TITLE
472-84883
PROJECT NUMBER

DESIGN BY: JAG
DRAWN BY: DPG
CHECKED BY: KJS

ISSUED: 1/24/2011
REVISED:

SHEET NO.
96 of 169

PLOTTED: Tuesday, January 25, 2011 8:42 AM
J:\CIVIL\07433\DWG\DA\PLANS\07433_MAINT_BR_BRNG_DTL.DWG