

STATE	PROJECT NO.	YEAR	SHEET NO.	TOTAL SHEETS
KANSAS	87 N-0361-01	2011	102	169

MKEC
ENGINEERING
CONSULTANTS, INC.
411 N. WEBB ROAD
WICHITA, K.S. 67206
316-684-9600

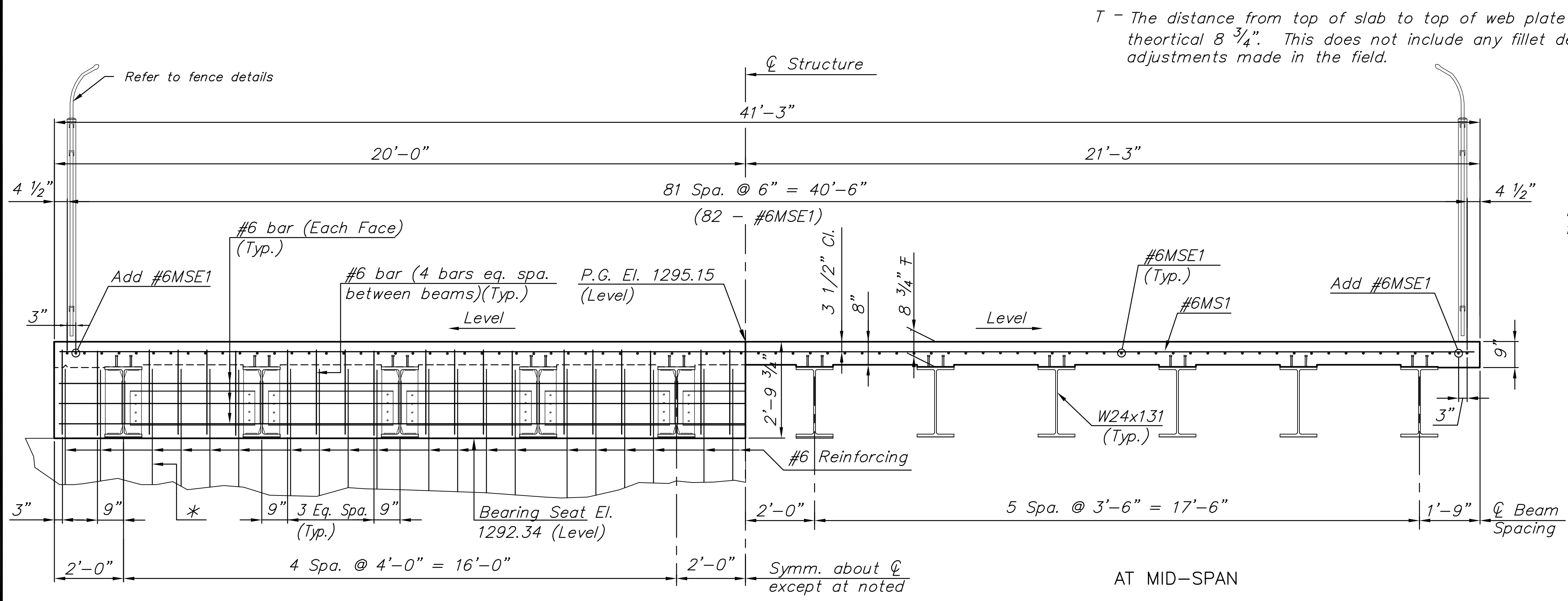
**LINCOLN STREET BRIDGE AND
DAM IMPROVEMENTS OVER
ARKANSAS RIVER**

**MAINTENANCE
STRUCTURE
DECK
SECTION**
SHEET TITLE
472-84883
PROJECT NUMBER

DESIGN BY: JAG
DRAWN BY: DPG
CHECKED BY: KJS

ISSUED: 1/24/2011
REVISED:

SHEET NO.
102 of 169

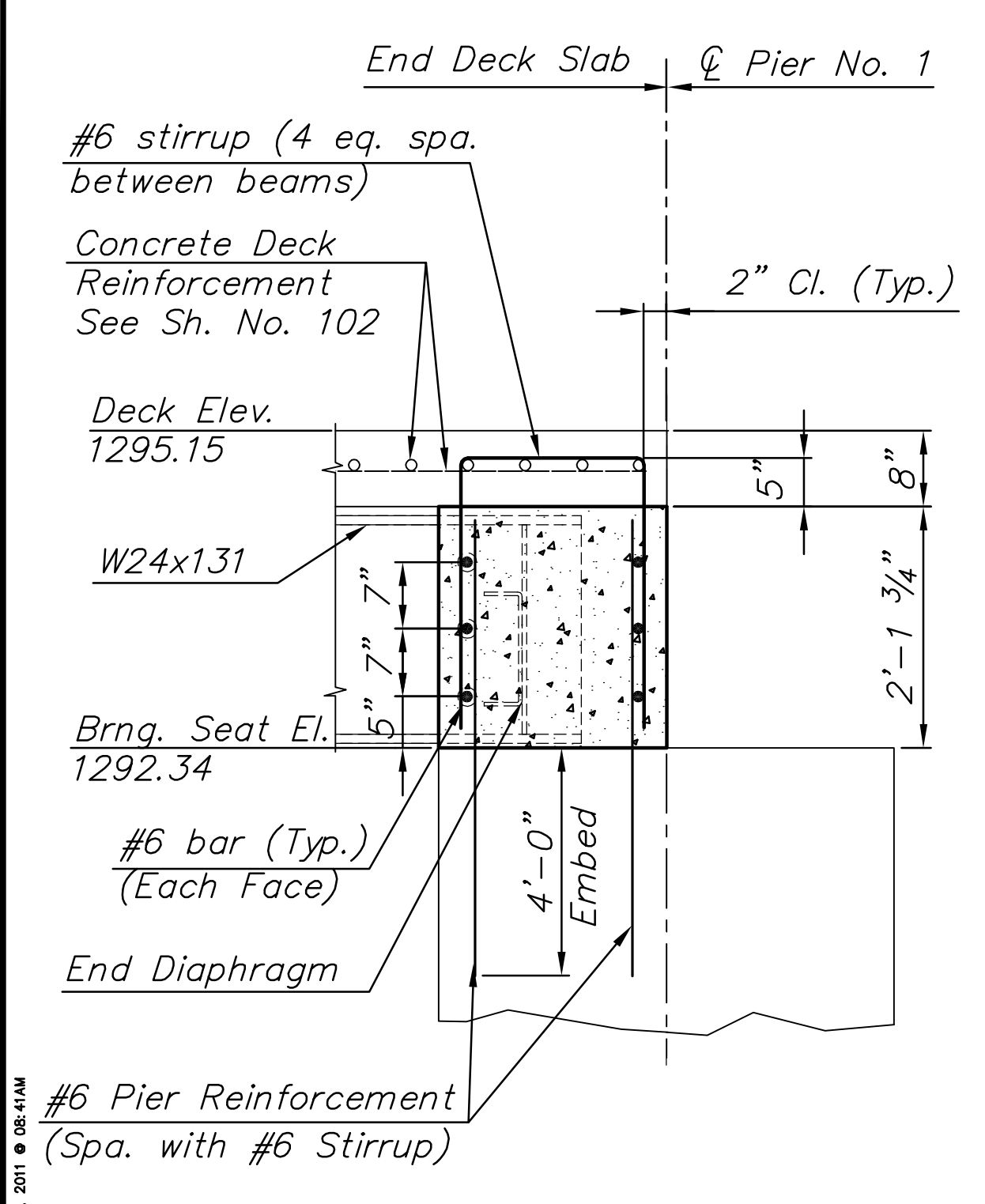


SLAB SECTION - SPAN 1
(Looking East)

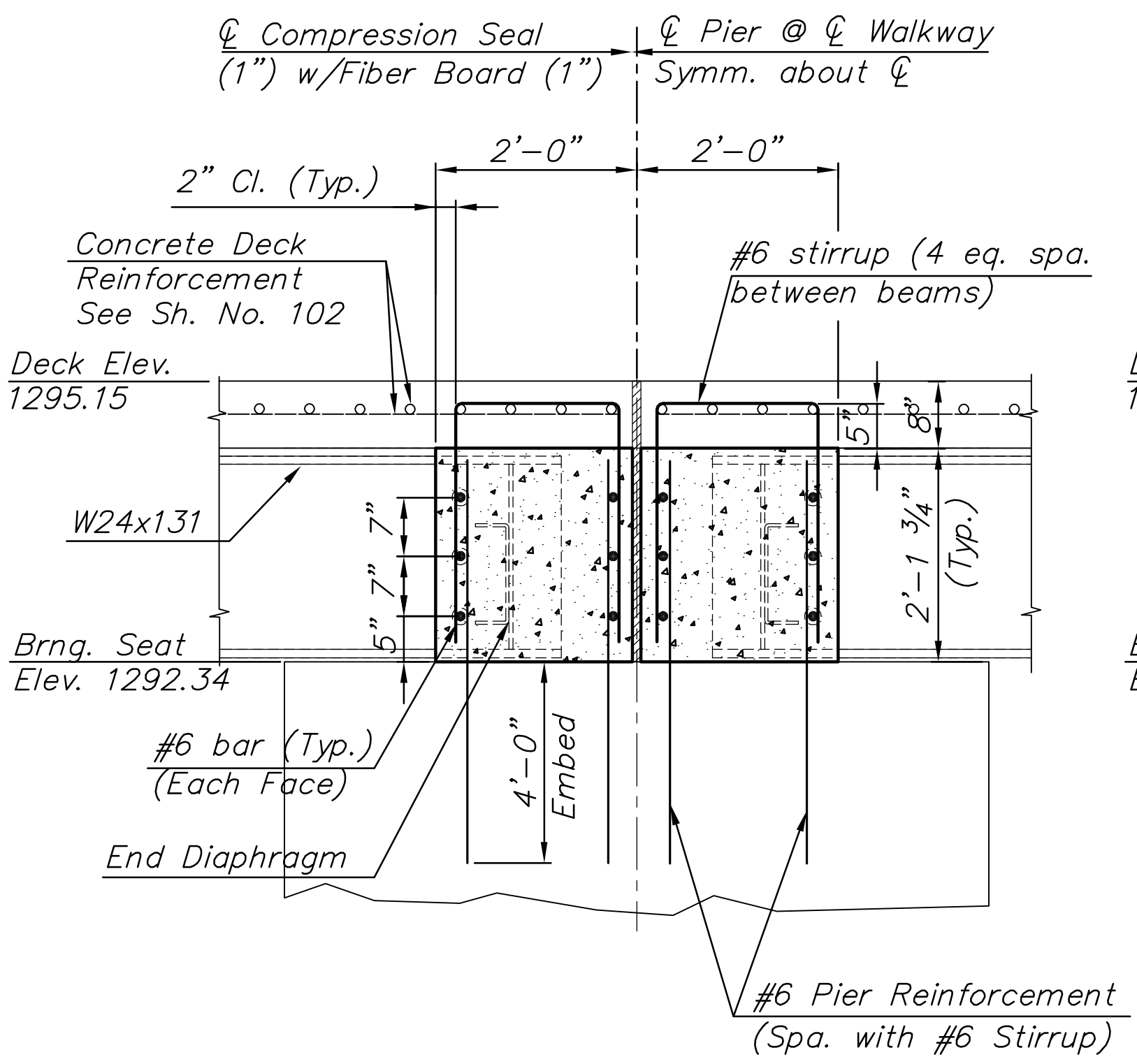
Brush blast, power wash and water soak surface immediately prior to casting (subsidiary).

AT PIER

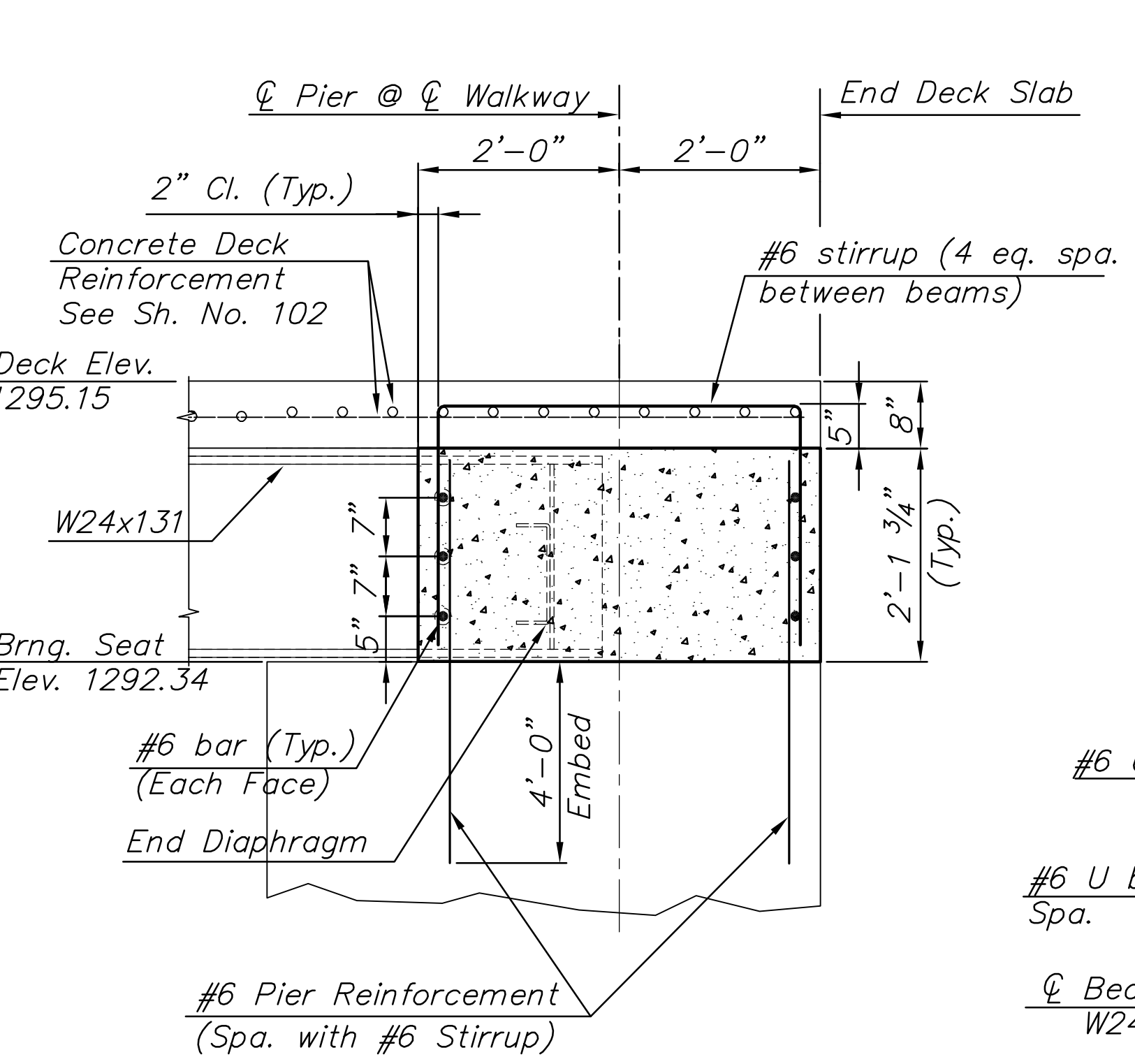
* #6 x 4'-0" Tie Bar (Each Face) (See Sheet No. 86 for Pier reinforcing)



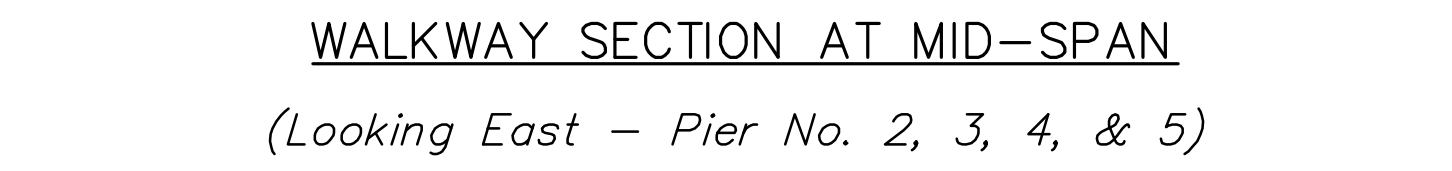
SECTION A - PIER 1 DIAPHRAGM



REINFORCED CONCRETE DIAPHRAGM
PIER NO. 1, 2, 3, & 4



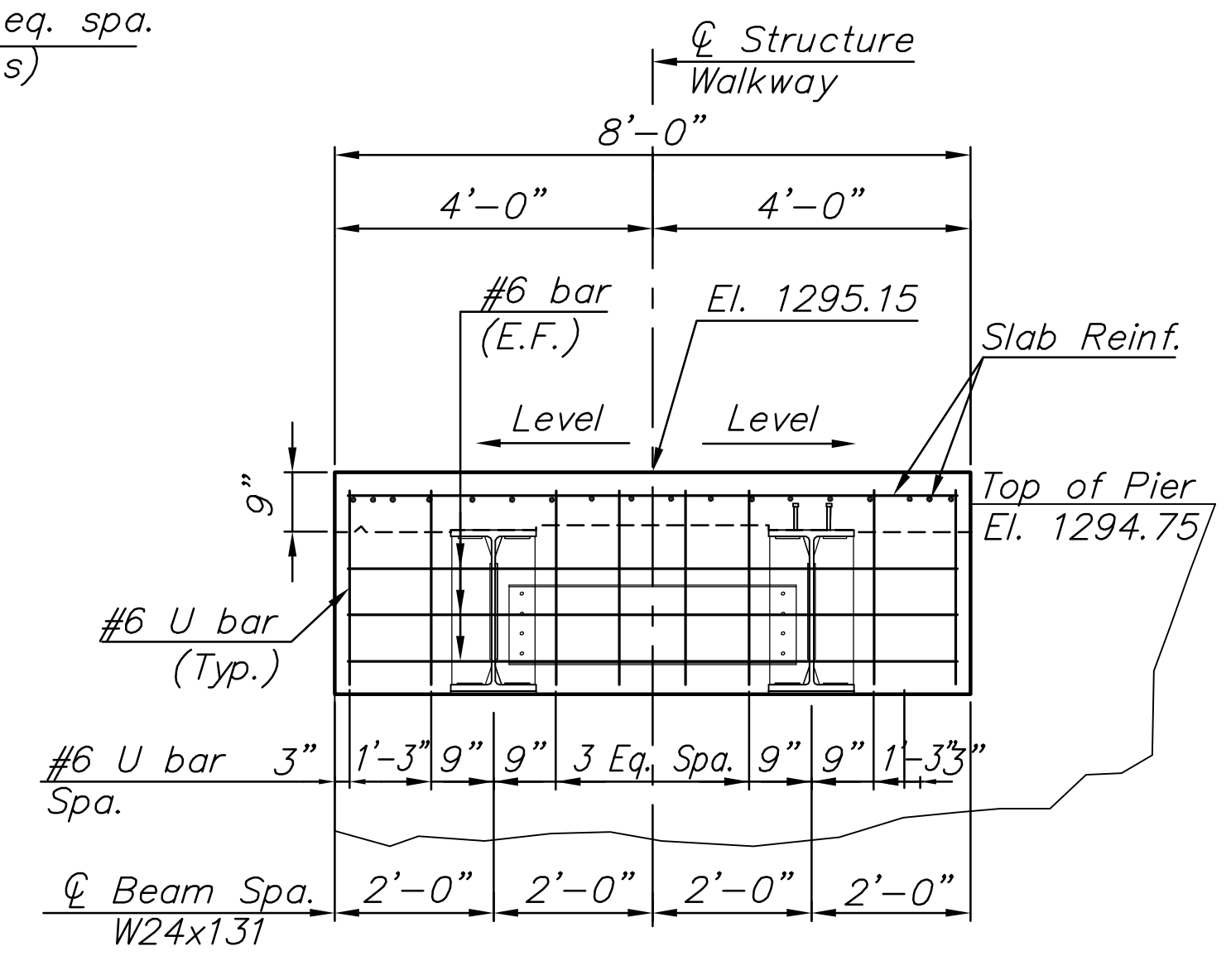
REINFORCED CONCRETE DIAPHRAGM
PIER NO. 5



PIER DIAPHRAGMS

The amount of reinforced concrete required to construct pier diaphragms has not been included in the summary of quantities.

The additional reinforced concrete required shall be considered subsidiary to the bid item "Reinforced Concrete Maintenance Structure Deck".



PLOTTER: Tumbler, January 25, 2011 @ 08:41AM

J:\CIVIL\07433\DWG\DA\PLANS\07433_MAINT_BR_DECK_SEC.DWG