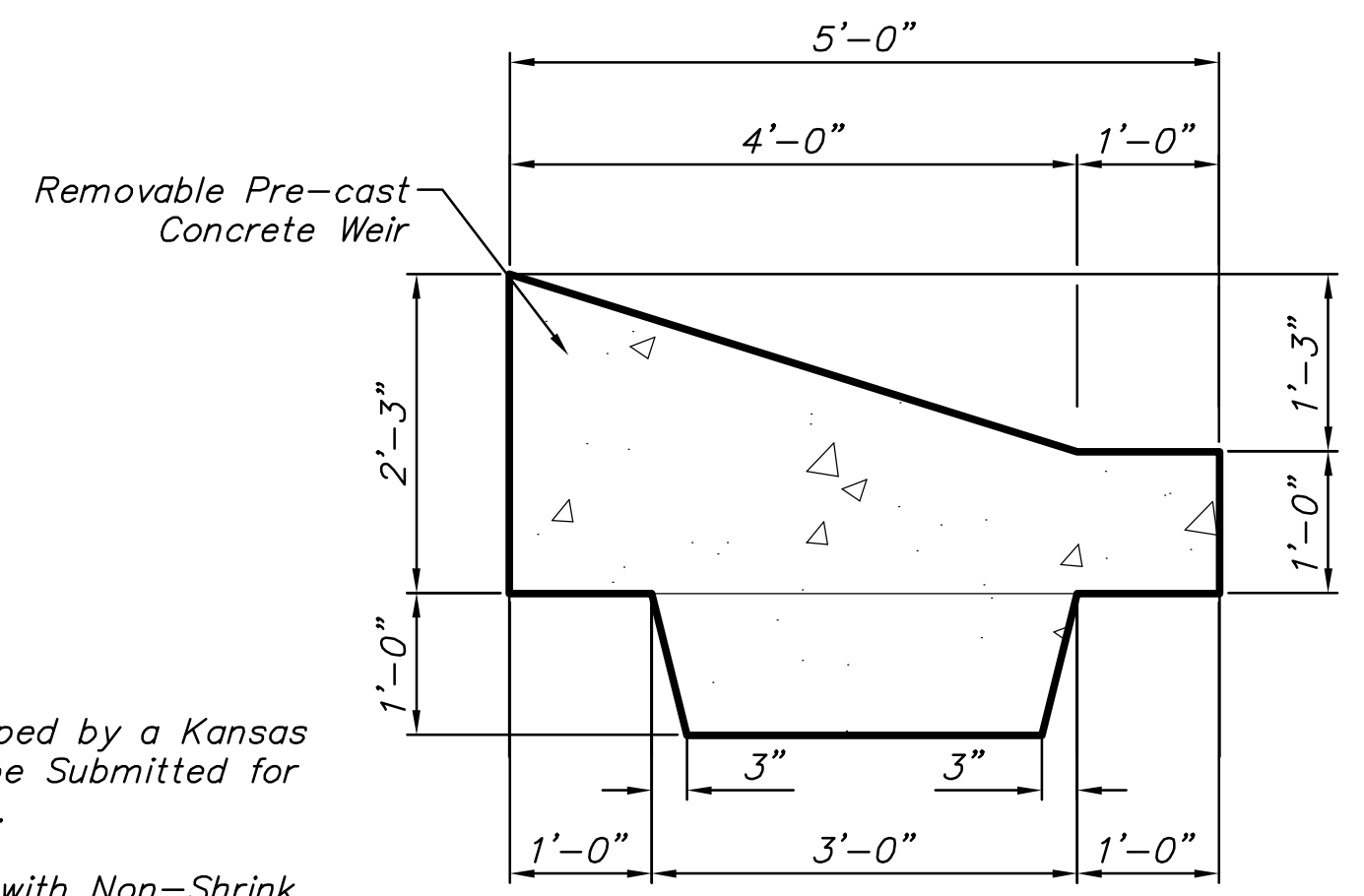
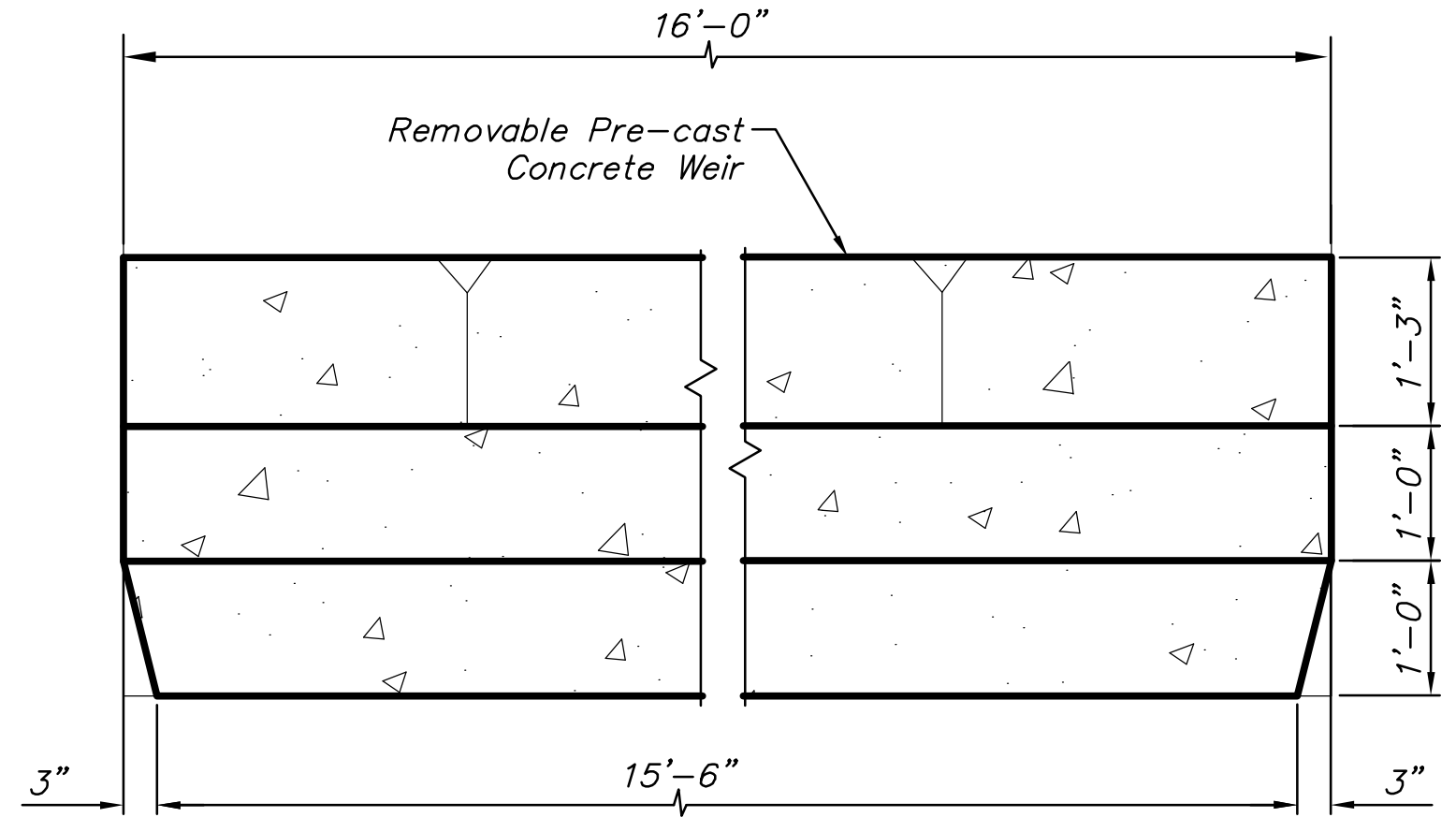


BAFFLE SUPPORT DETAIL
SCALE: 1/2" = 1'-0"

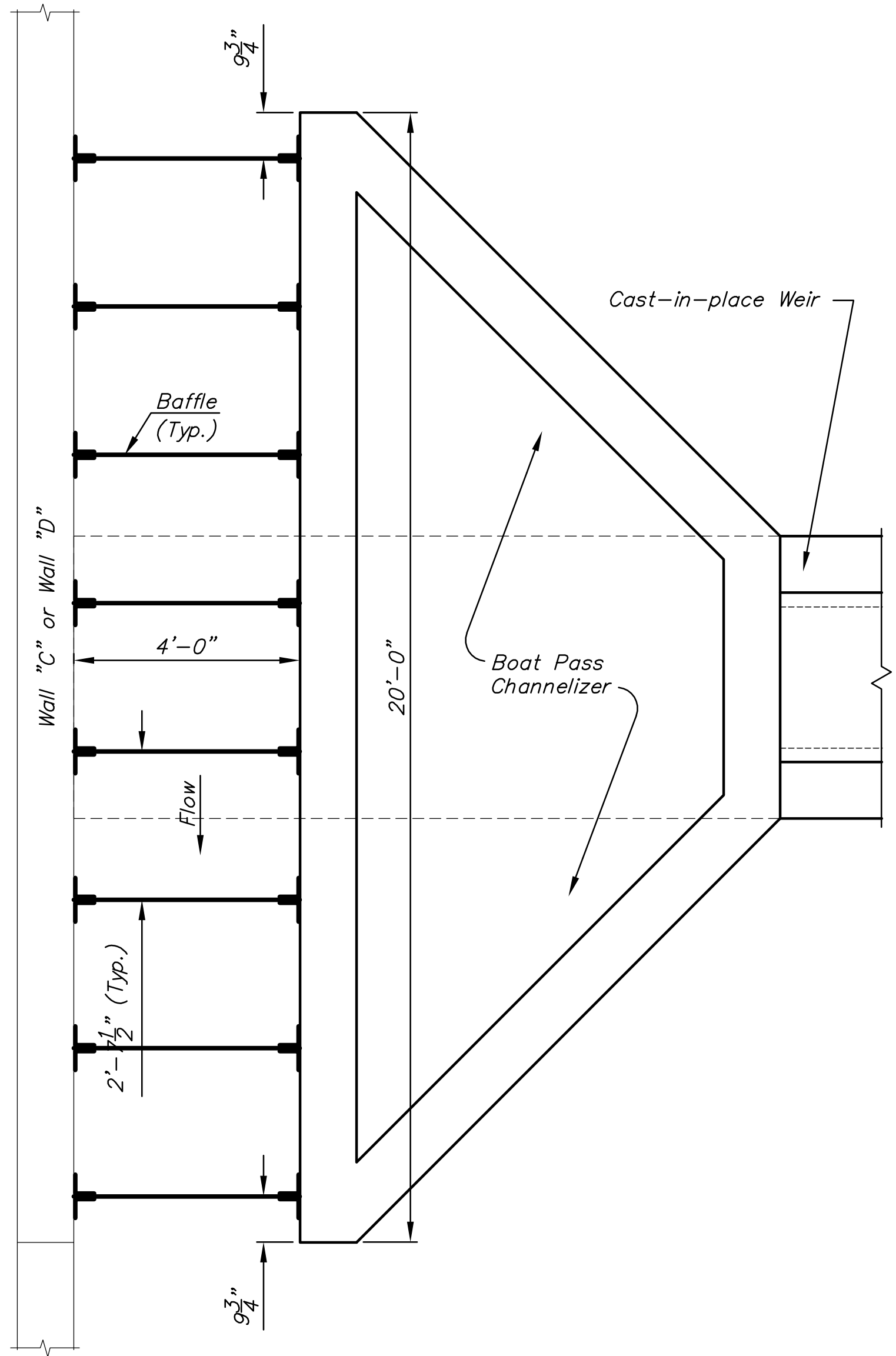
GENERAL NOTES:
Shop Drawings stamped by a Kansas Licensed P.E. shall be Submitted for all Pre-cast Designs.
Grout any lift holes with Non-Shrink grout.



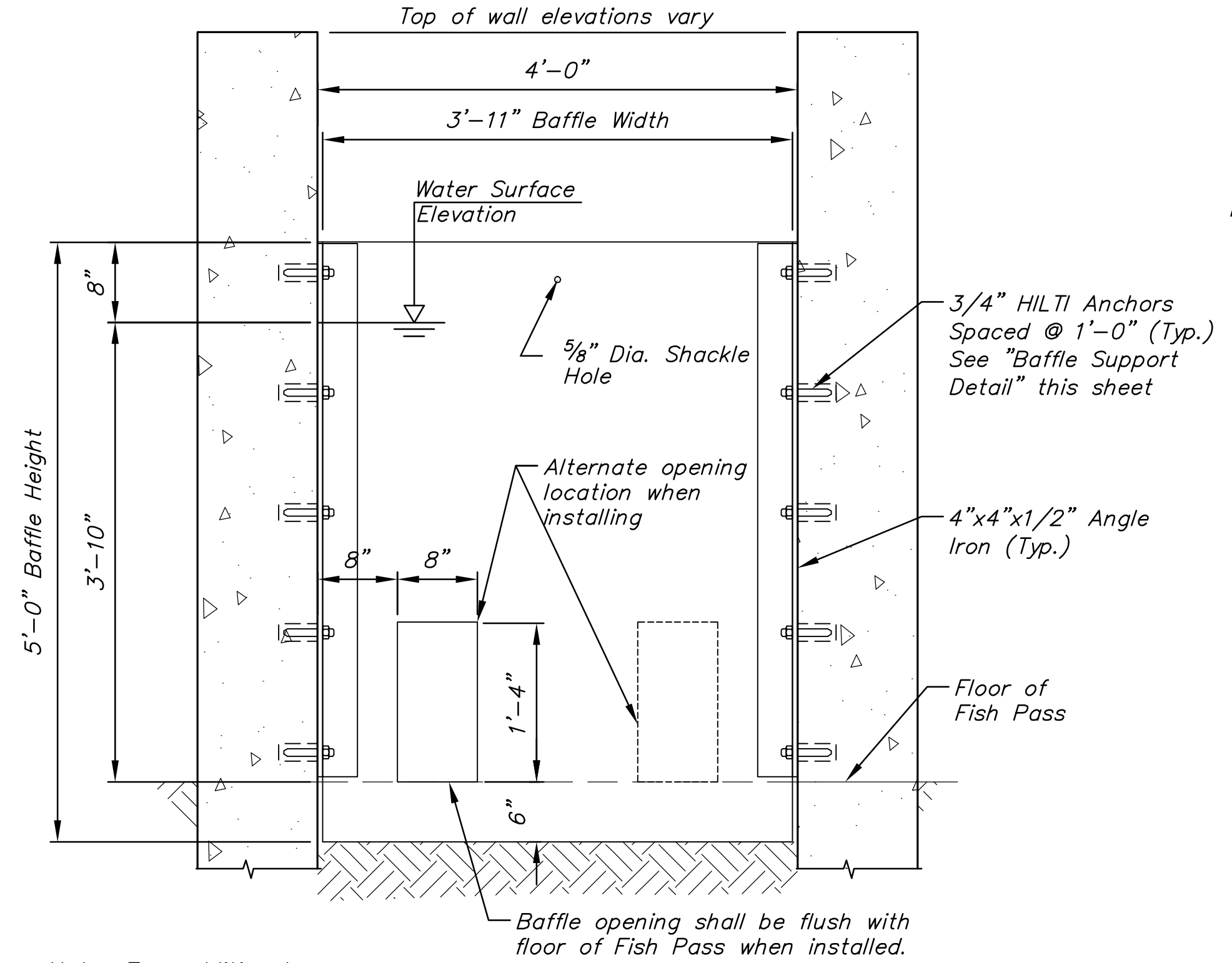
PRE-CAST CONCRETE WEIR SECTION
SCALE: 3/4" = 1'-0"



PRE-CAST CONCRETE WEIR ELEVATION
SCALE: 3/4" = 1'-0"

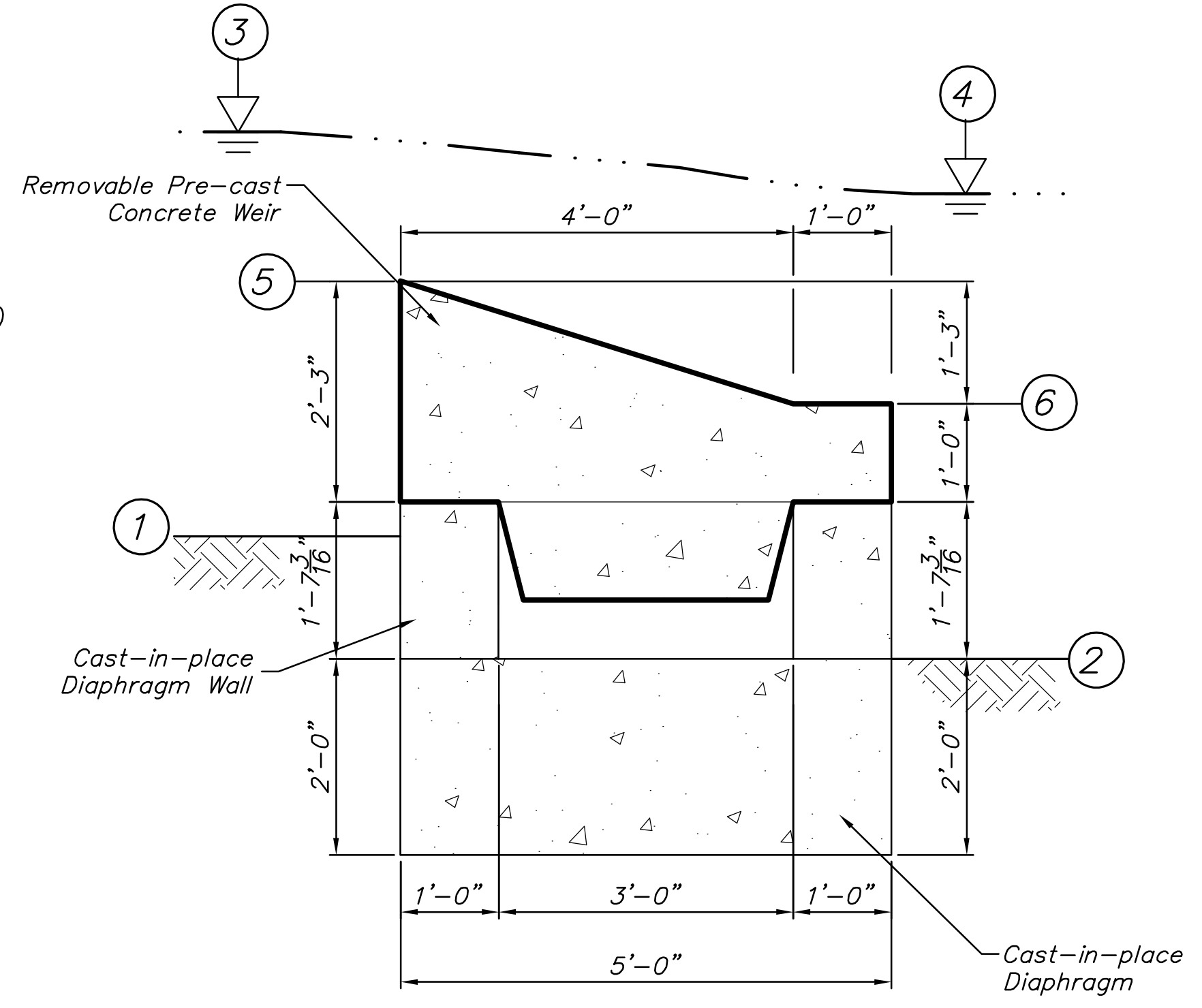


FISH PASS BAFFLE PLAN
SCALE: 1/2" = 1'-0"



FISH PASS BAFFLE DETAIL
SCALE: 1/4" = 1'-0"

Note: Two additional Baffles shall be provided without holes.



TYPICAL WEIR SECTION
SCALE: 3/4" = 1'-0"

WEIR NO.	U.S. POOL FLOOR ELEVATION - PT. "1"	D.S. POOL FLOOR ELEVATION - PT. "2"	U.S. WATER SURFACE ELEVATION - PT. "3"	D.S. WATER SURFACE ELEVATION - PT. "4"	WEIR CREST ELEVATION - PT. "5"	WEIR SHELF ELEVATION - PT. "6"
1	1268.00	1266.75	1272.74	1272.50	1270.35	1269.35
2	1269.25	1268.00	1273.37	1272.74	1271.60	1270.60
3	1270.50	1269.25	1274.40	1273.37	1272.85	1271.85
4	1271.75	1270.50	1275.60	1274.40	1274.10	1273.10
5	1273.00	1271.75	1276.84	1275.60	1275.35	1274.35
6	1274.25	1273.00	1278.08	1276.84	1276.60	1275.60
7	1275.50	1274.25	1279.33	1278.08	1277.85	1276.85
8	1276.75	1275.50	1280.58	1279.33	1279.10	1278.10
9	1278.00	1276.75	1281.83	1280.58	1280.35	1279.35
10	1279.25	1278.00	1283.08	1281.83	1281.60	1280.60
11	1280.50	1279.25	1284.50	1283.08	1282.85	1281.85

LINCOLN STREET BRIDGE AND DAM IMPROVEMENTS OVER ARKANSAS RIVER

BOAT/FISH PASS BAFFLE/WEIR DETAILS
SHEET TITLE
472-84883
PROJECT NUMBER

JAG
DESIGN BY
DPG
DRAWN BY
CHECKED BY

ISSUED
1/24/2011
REVISED

SHEET NO.
112 of 169