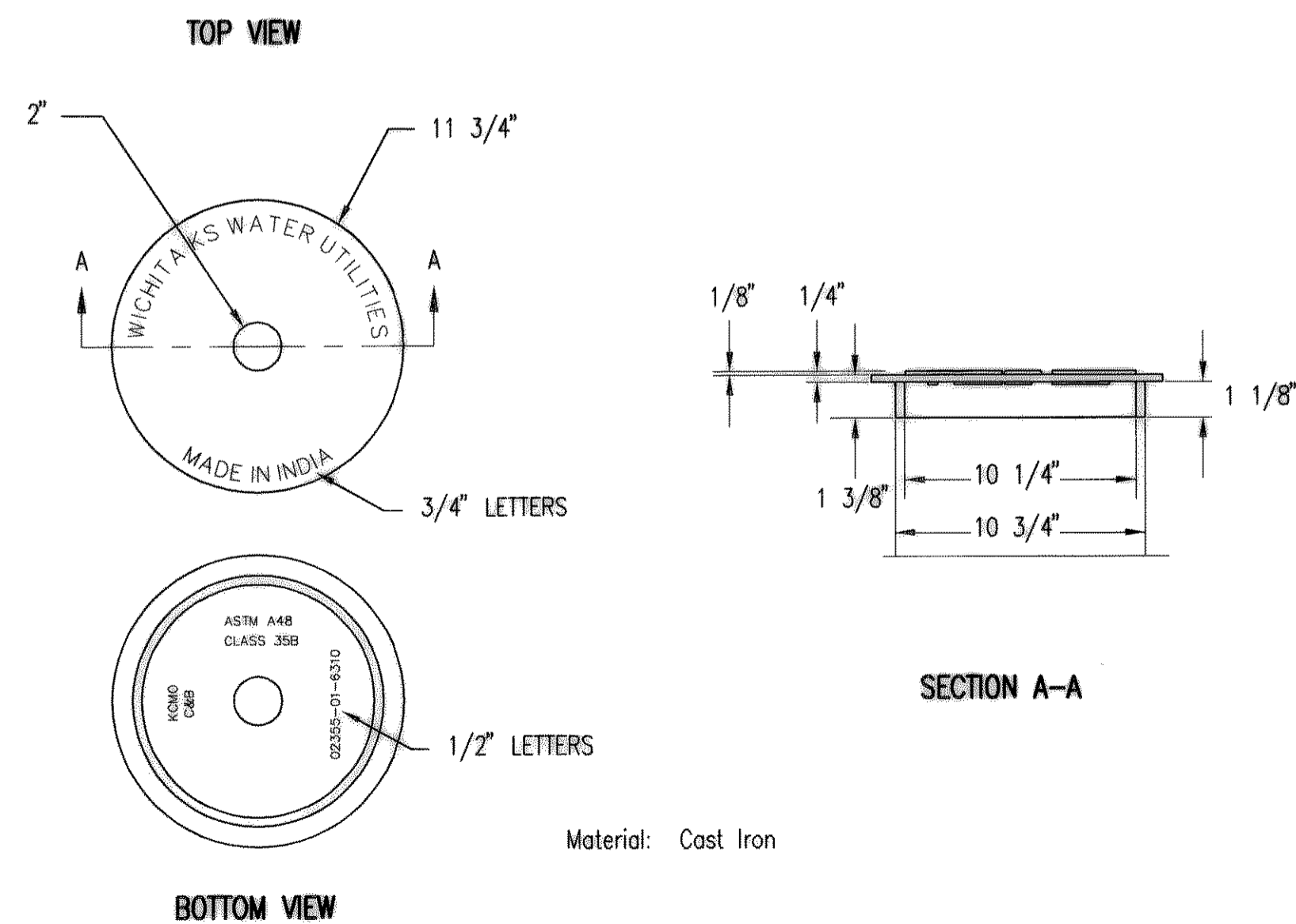


RECONNECT WATER SERVICE LINE AND METER DETAIL

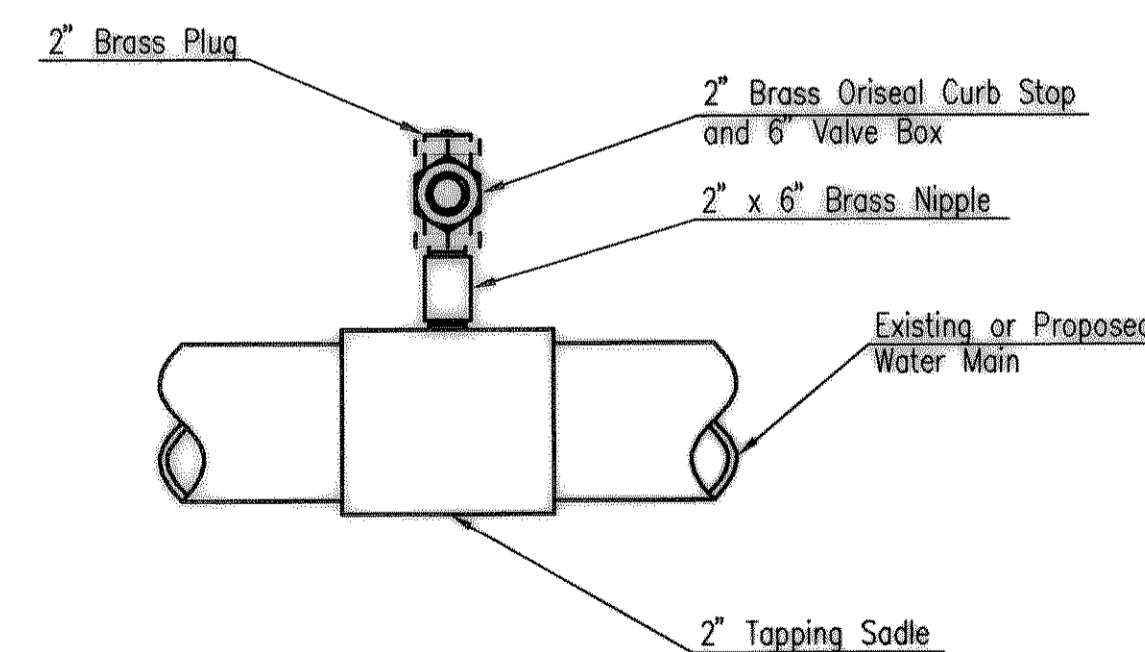
RECONNECT WATER SERVICE LINE WITHOUT METER DETAIL

METER #	CONNECTION LOCATION	OFFSET	COORDINATES	TOP OF PIPE ELEV.
93908052	WL 1, Sta. 0+08.8	18.2' Lt.	N: 1,685,302.6021, E: 1,650,023.5493	1291.96
15779483	WL 1, Sta. 1+17.6	36.9' Rt.	N: 1,685,405.2564, E: 1,650,037.0047	1292.50
NO TAG	WL 1, Sta. 1+71.5	30.0' Lt.	N: 1,685,459.1527, E: 1,650,035.9653	1293.00
80265545	WL 1, Sta. 1+72.0	33.2' Rt.	N: 1,685,459.6529, E: 1,650,035.9557	1293.00
95905834	WL 1, Sta. 1+77.1	33.7' Rt.	N: 1,685,464.7795, E: 1,650,035.8568	1293.00

CONNECTION LOCATION	OFFSET	COORDINATES	TOP OF PIPE ELEV.
WL 1, Sta. 0+88.0	33.9' Rt.	N: 1,685,375.7203, E: 1,650,037.5743	1292.50
WL 1, Sta. 0+90.0	33.0' Rt.	N: 1,685,378.6029, E: 1,650,037.5187	1292.50
WL 1, Sta. 0+96.8	33.7' Rt.	N: 1,685,394.5325, E: 1,650,037.4044	1292.50

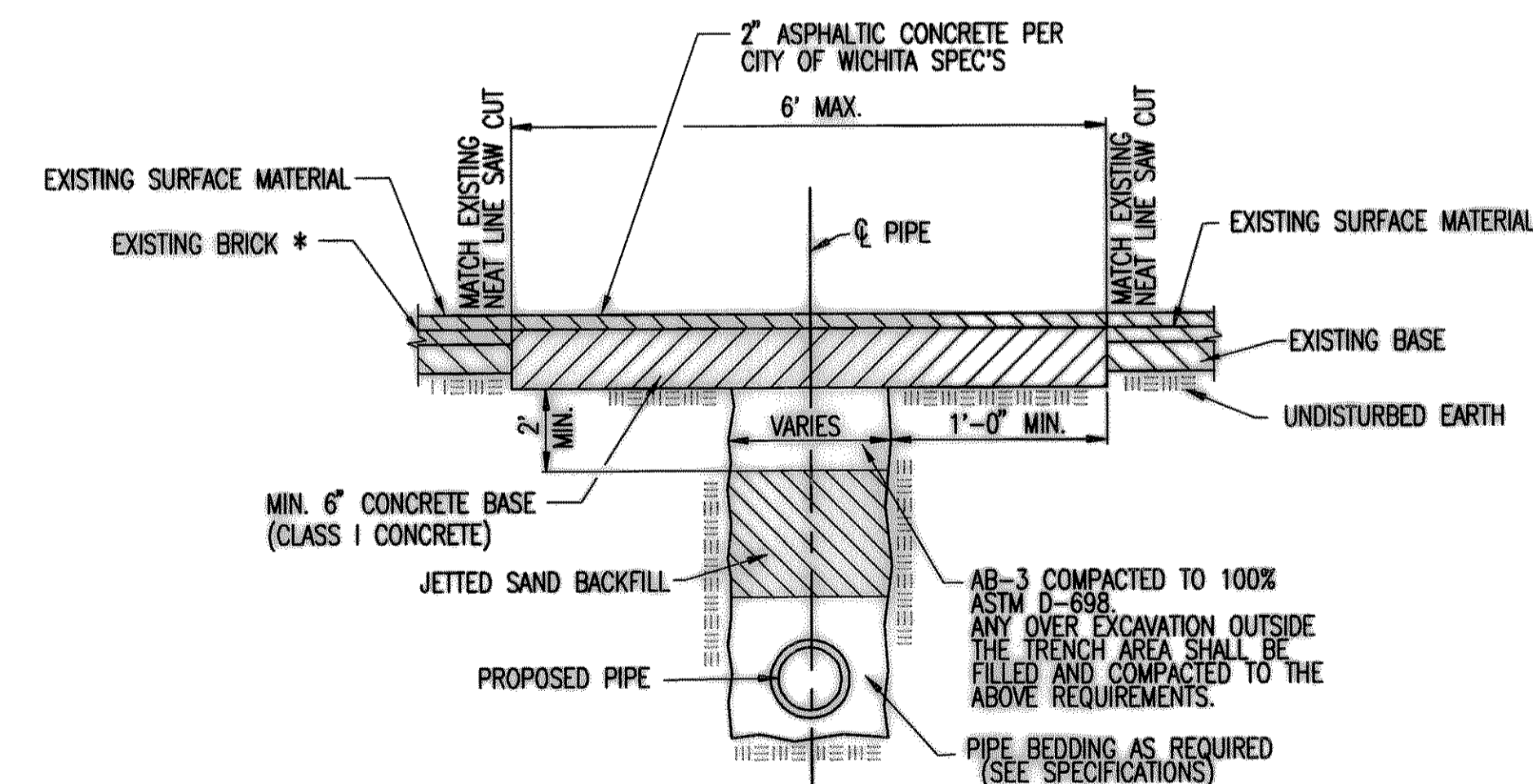


RING & LID FOR METER VAULTS



2" SERVICE OUTLET ASSEMBLY

Note: Where the 2" service outlet assembly is to be used to connect a 2" main to another main, the 2" valve shall be a 2" IPT Gate Valve. 2" Ball or Globe valve shall not be approved for this use.



EMPORIA STREET PAVEMENT REMOVAL AND REPLACEMENT

* SALVAGE EXISTING BRICK TO CITY OF WICHITA

Sheet 01-19-2011 11:22:49 AM by RFT
 Plot Scale 1:1 01-21-2011 3:26:31 PM by ROY E. THOMAS
 C:\2010\10474\10474-C-Misc-Details

	Revision		By	Date
	WATER DISTRIBUTION SYSTEM IMPROVEMENTS EMPORIA WATER LINE REPLACEMENT FROM WILLIAM TO DOUGLAS MISCELLANEOUS DETAILS JAMES L. ARMOUR, P.E. - CITY ENGINEER CITY OF WICHITA PROJECT NO. 448-90504			
	Professional Engineering Consultants, P.A. 303 S. TOPEKA • WICHITA, KANSAS 67202 316-262-2691 • FAX 316-262-3003			
	Designed by	MDK, SAW	Job No.	35-10474-0042
Drawn by	RFT	Date	NOVEMBER 2010	