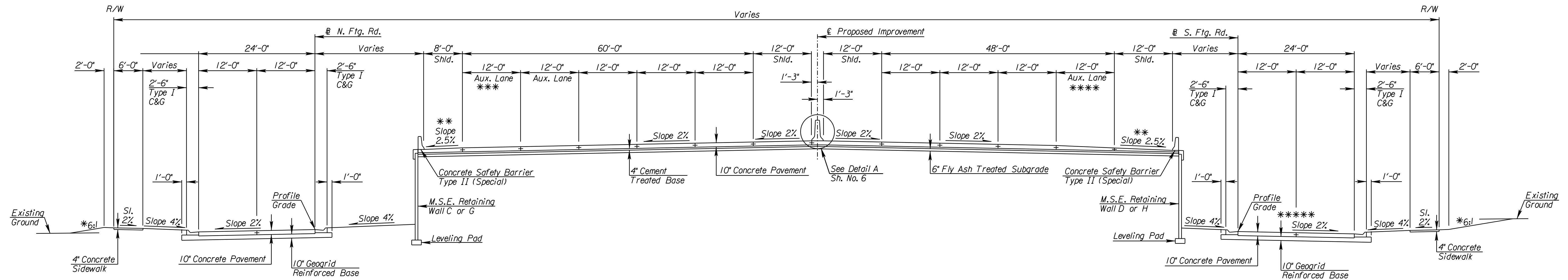


STATE	PROJECT NO.	YEAR	SHEET NO.	TOTAL SHEETS
KANSAS	472 84614	:	5	534



FILL SECTION

**KELLOGG TYPICAL SECTION - ELEVATED ROADWAY**  
 STA. 670+34.04 TO STA. 690+92.54 LT.  
 STA. 661+05.43 TO STA. 691+24.01 RT.

CUT SECTION

Note: Intersection of all slope lines shall be softened and rounded for pleasing appearance.

\* Dimensions and slopes for standard ditches and fills. See plan and cross-sections for variations.

\*\* Varies from 2.5% to 2%.

Sta. 677+79.05 to Sta. 677+94.05

Varies from 2% to 2.5%.

Sta. 682+34.22 to Sta. 682+49.22

\*\*\* Varies from 12' to 0'.

Sta. 683+03.68 to Sta. 686+63.68.

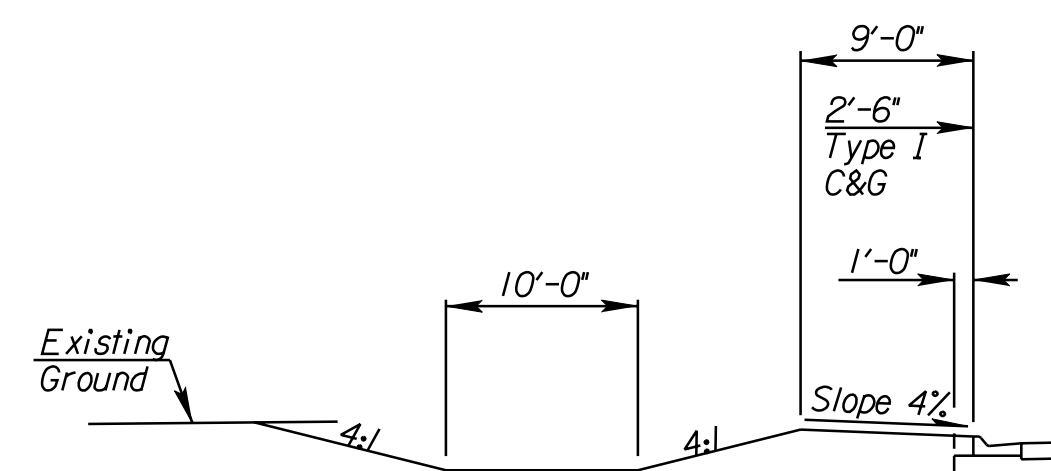
\*\*\*\* Varies from 12' to 0'.

Sta. 662+68.06 to Sta. 665+68.06

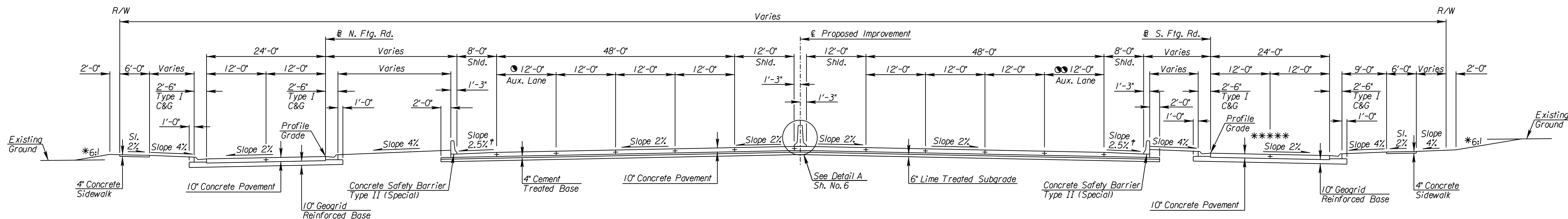
\*\*\*\*\* See Sh. No. 9

for S. Frontage Rd. Typical Section

Sta. 1685+45.82 to Sta. 1695+95.82



**NORTH FRONTAGE ROAD**  
 STA. 670+34.04 TO STA. 678+34.13 LT.



FILL SECTION

**KELLOGG TYPICAL SECTION - AT GRADE**  
 STA. 663+30.37 TO STA. 670+34.04 LT.  
 STA. 690+92.54 TO STA. 721+32.93 LT.  
 STA. 691+24.01 TO STA. 720+87.40 RT.

CUT SECTION

● Varies Sta. 663+30.37 to Sta. 670+34.04. See Sh. No. 92 (Ramp T).

○ 0' from Sta. 704+91.14 to Sta. 721+32.93

⊙ 0' from Sta. 709+71.70 to Sta. 720+87.40

† Varies from 2.5% to 2%

Sta. 718+73.18 to Sta. 718+88.18

CITY OF WICHITA

EAST KELLOGG

TYPICAL SECTIONS

11/6:30 AM  
 2/9/2011  
 T:\35766A\Cadd\Sheets\Roadway\Typ\EK2MLTYP02.dgn  
 SURV. PLOT CADD DES. TR. CKD. APP.