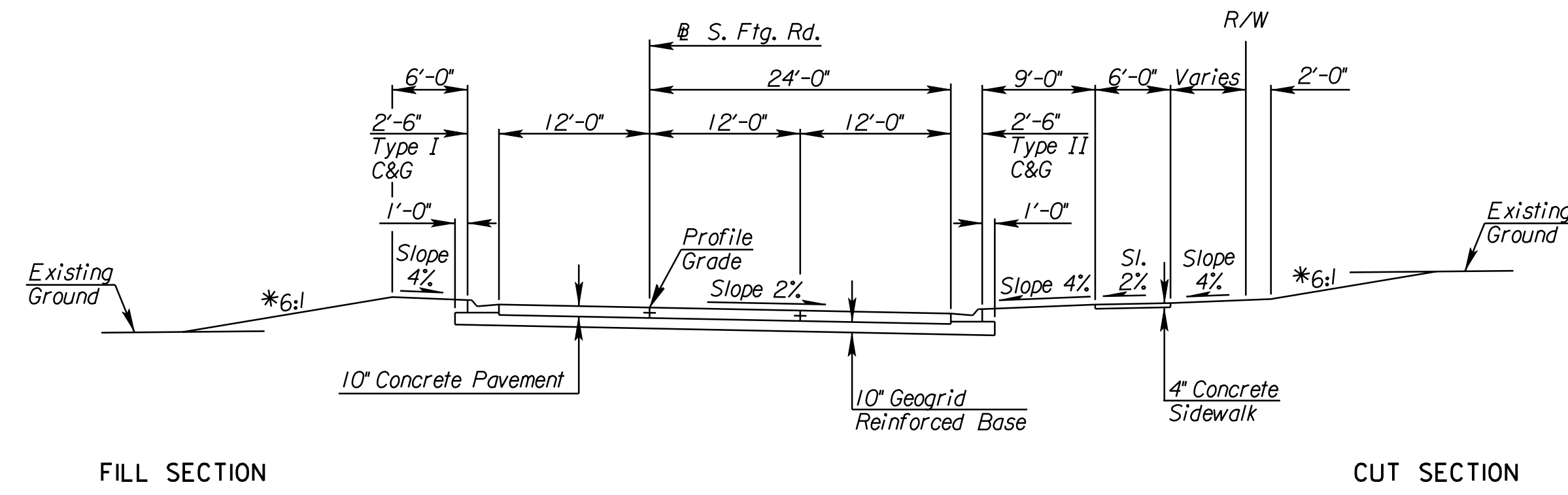


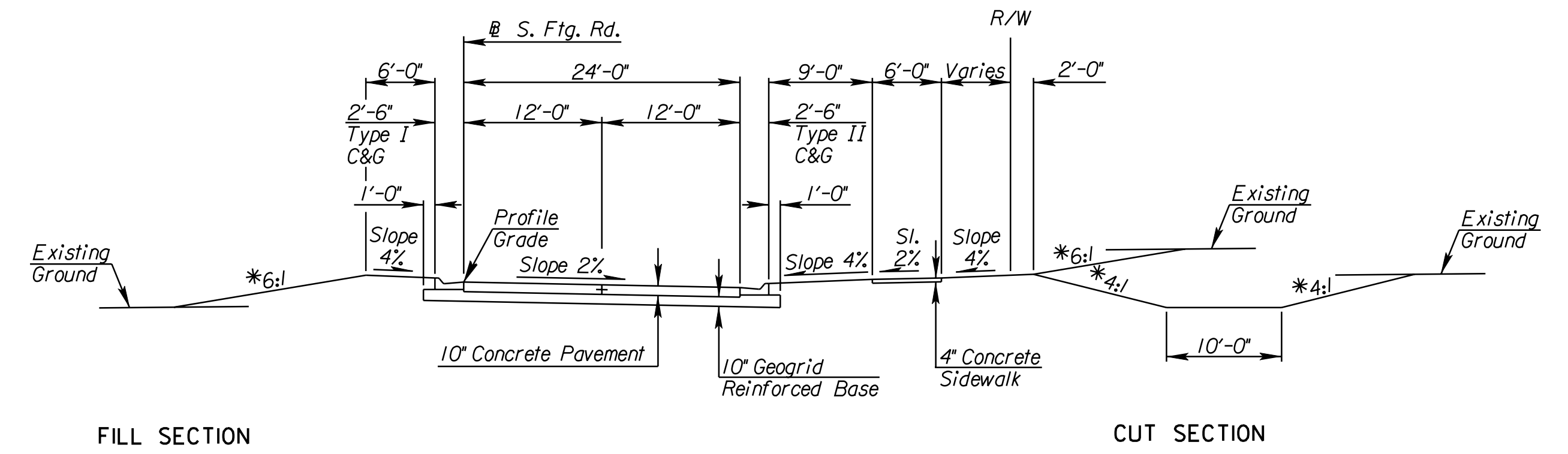
STATE	PROJECT NO.	YEAR	SHEET NO.	TOTAL SHEETS
KANSAS	472 84614	:	9	534



FILL SECTION

CUT SECTION

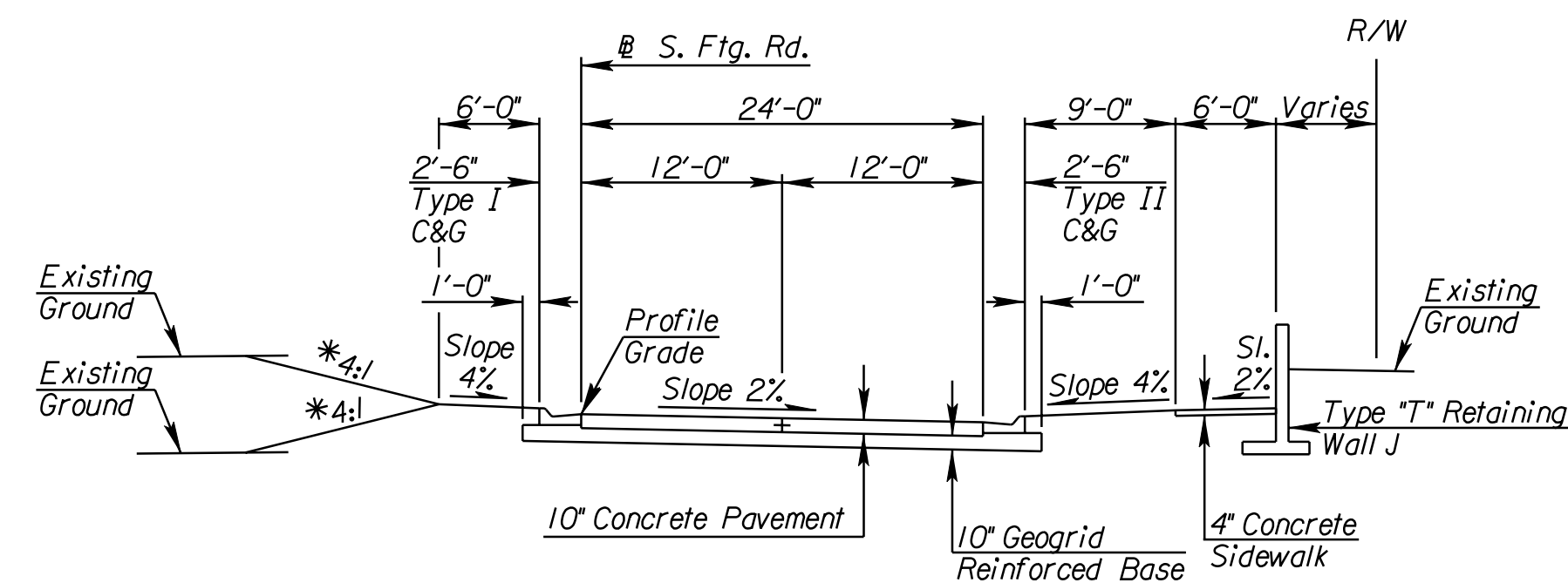
SOUTH FRONTAGE ROAD TYPICAL SECTION
STA. 1616+35 TO STA. 1627+98.01



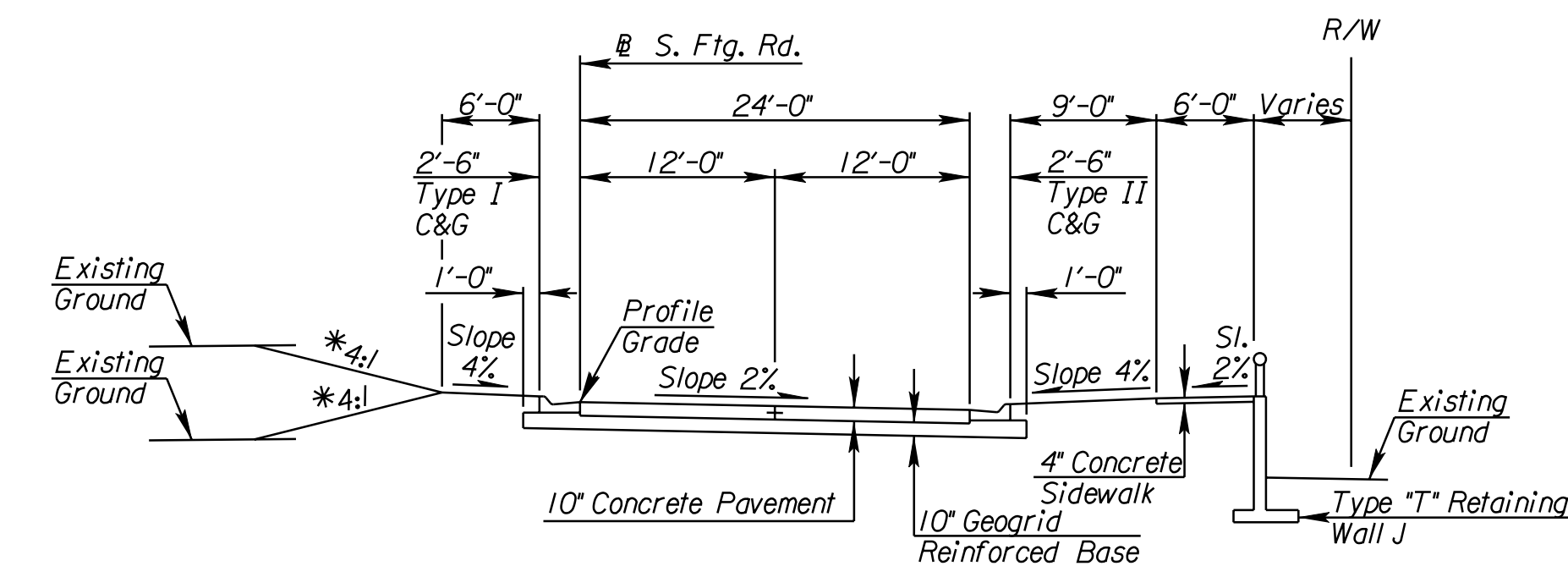
FILL SECTION

CUT SECTION

SOUTH FRONTAGE ROAD TYPICAL SECTION
STA. 1627+98.01 TO STA. 1664+20



SOUTH FRONTAGE ROAD TYPICAL SECTION
STA. 1685+45.82 TO STA. 1689+02.69



SOUTH FRONTAGE ROAD TYPICAL SECTION
STA. 1689+02.69 TO STA. 1695+95.82

Note: Intersection of all slope lines shall be softened and rounded for pleasing appearance.

* Dimensions and slopes for standard ditches and fills. See plan and cross-sections for variations.

11/6:36 AM
 2/9/2011
 T:\35766A\Cadd\Sheets\Roadway\Typ\EK2ML\TYP06.dgn
 SURV. PLOT CADD DES. DR. TR. CKD. APP.