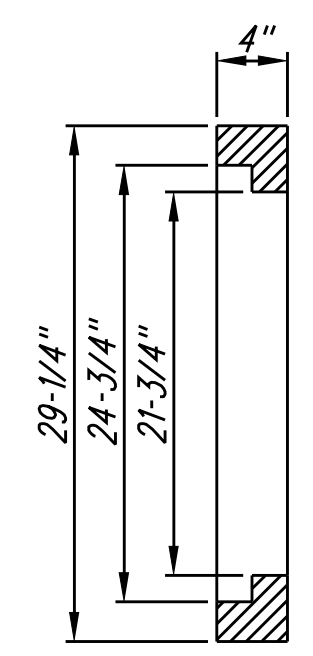
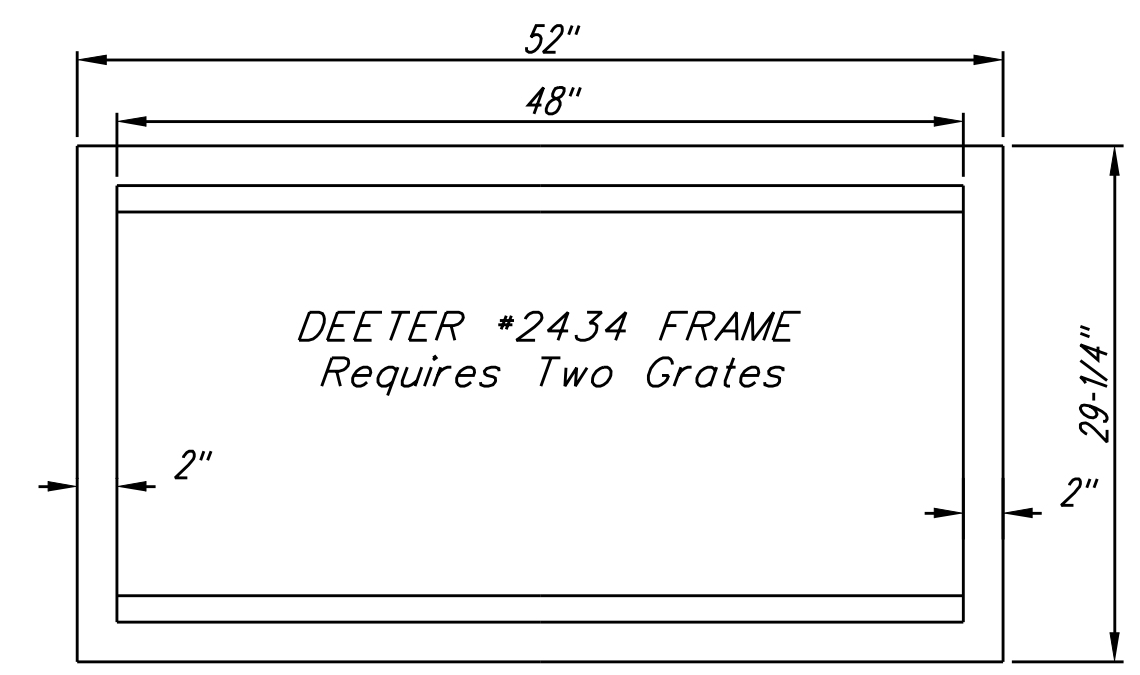
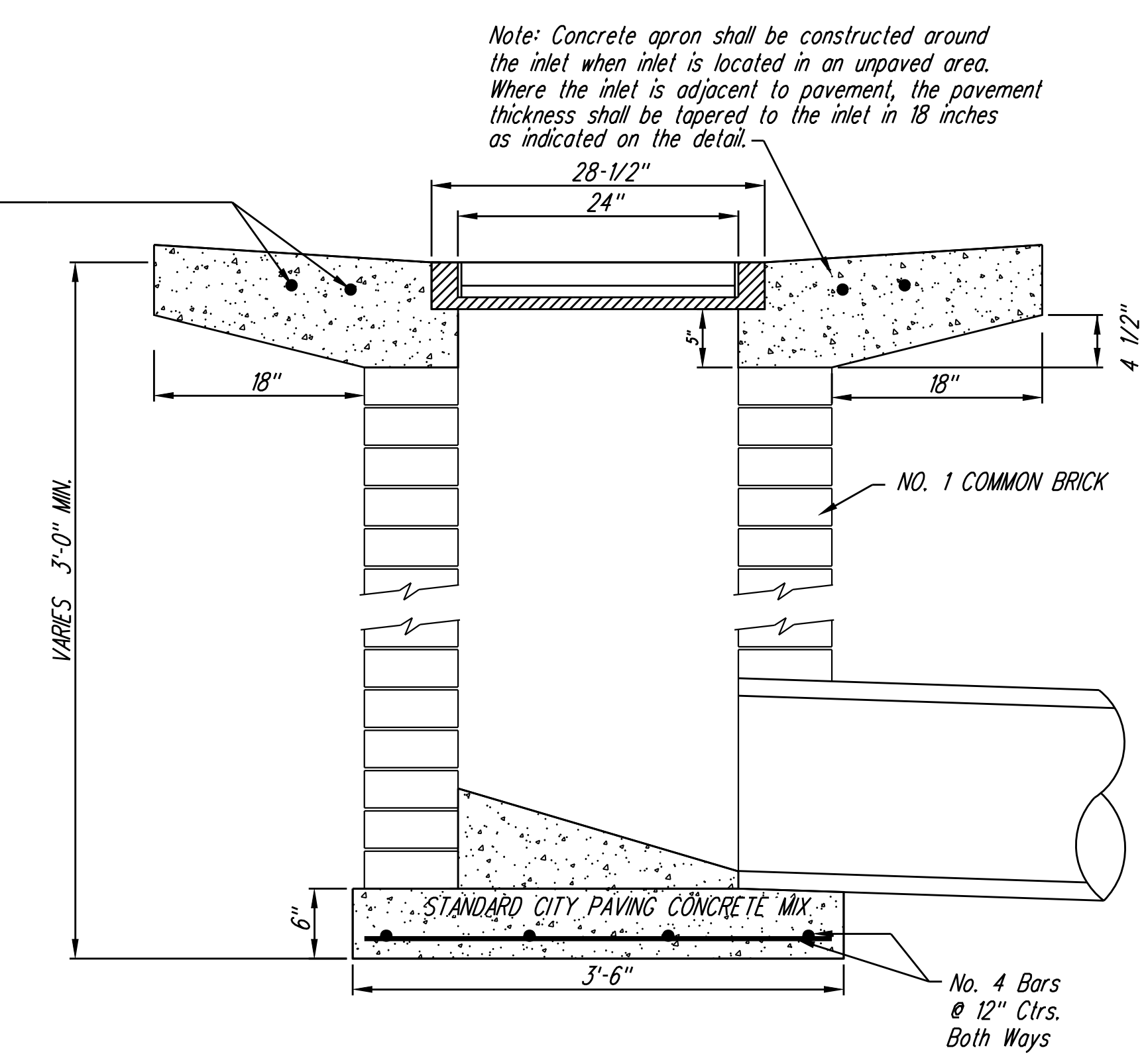
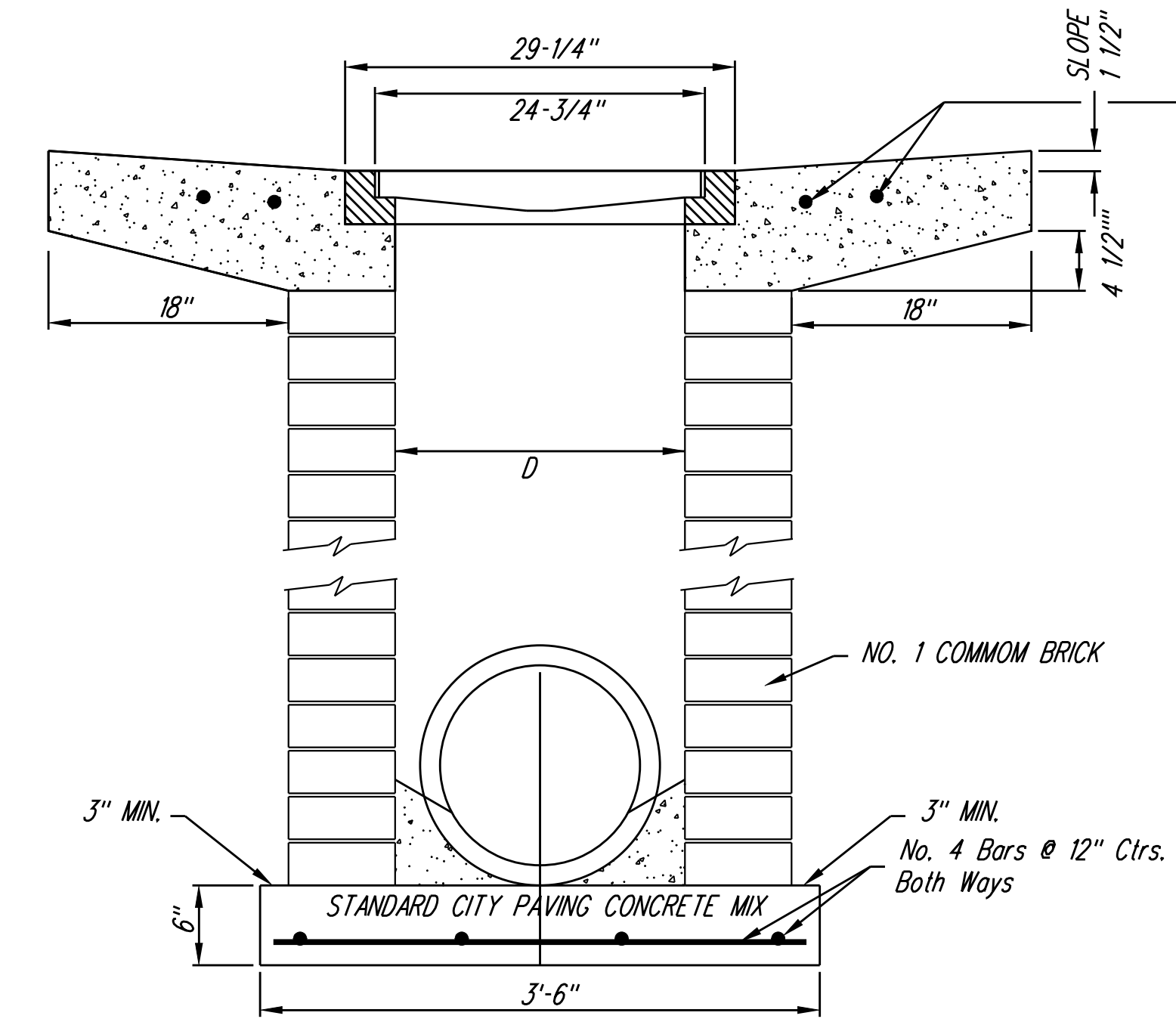


DEETER #2433 GRATE
24" x 24" Frame and Grate Detail

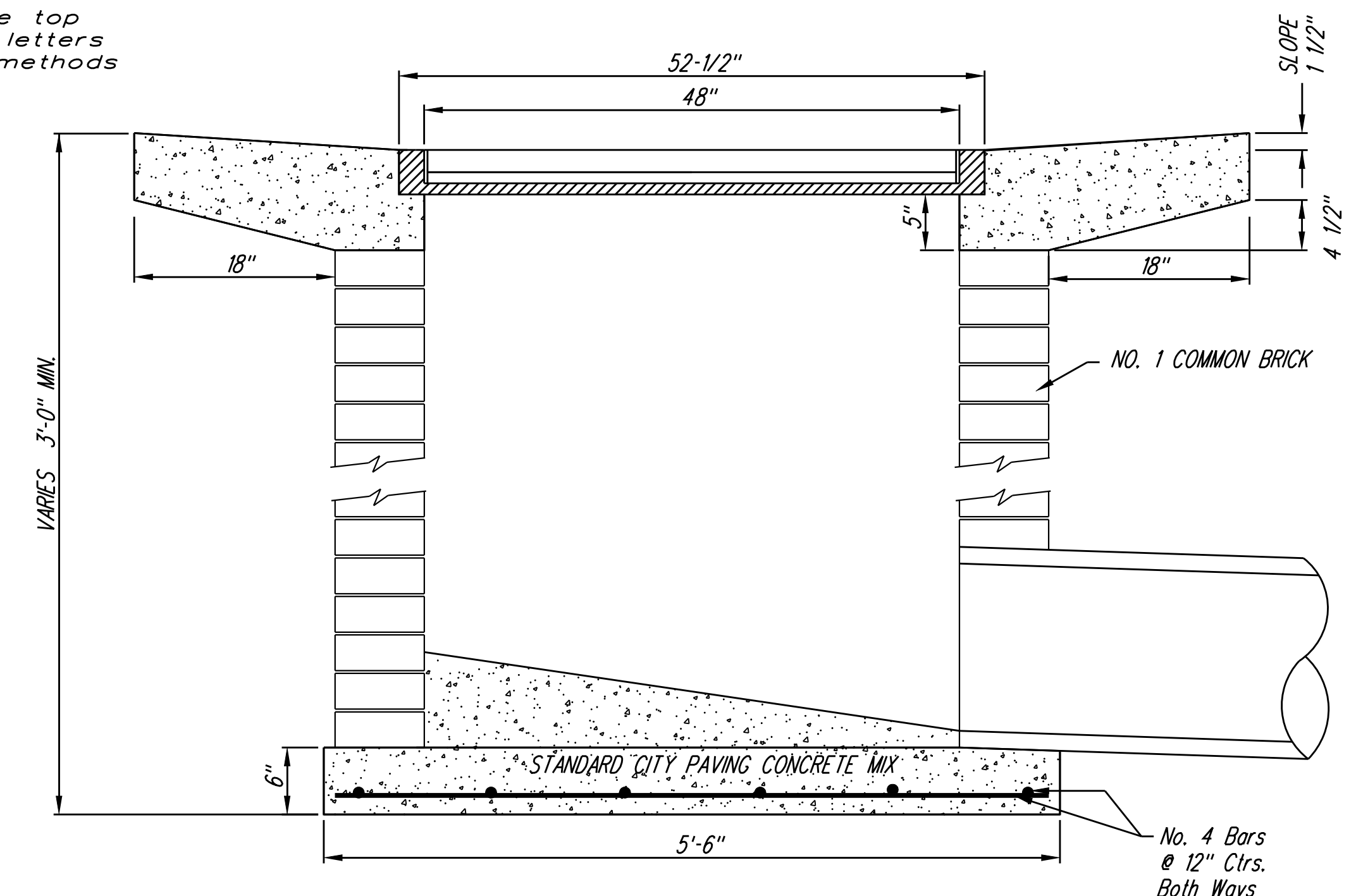


Double 24" x 24" Frame Detail

NOTE: Grates shall be imprinted on the top surface with "CITY OF WICHITA" using letters at least 1" in height. Other marking methods may be approved by the engineer.



Note: Concrete apron shall be constructed around the inlet when inlet is located in an unpaved area. Where the inlet is adjacent to pavement, the pavement thickness shall be tapered to the inlet in 18 inches as indicated on the detail.



DROP INLET SINGLE & DOUBLE		
CITY ENGINEER JAMES L. ARMOUR, P.E., L.S.		
PROJECT NUMBER xxx-xxxxx	DATE MM/YY	DESIGN ABC
CITY ENGINEER'S OFFICE CITY HALL - SEVENTH FLOOR 455 NORTH MAIN STREET WICHITA, KANSAS 67202-1620 (316) 268-4501 (316) 268-4114 FAX	DRAWN DEF	SHEET X OF X

REV. 8-20-01

FIREPOINT ADDITION
 DROP INLET
 DETAILS
 WICHITA, KANSAS
 JAMES ARMOUR, P.E., CITY ENGINEER
 Project No. 2042 PPS OCA No. 607861

POE & ASSOCIATES OF KANSAS, INC.
 CONSULTING ENGINEERS
 5940 E. Central, Suite 200a Wichita, KS 67208-4242
 Phone 316/695-4114 • FAX 316/695-4444

DESIGNED BY: BLB
 DRAWN BY: ELS
 DRAWING: 463_PPS13-Drop Inlet Details.dgn
 DATE: April 27, 2010

SHEET
 13 OF 23