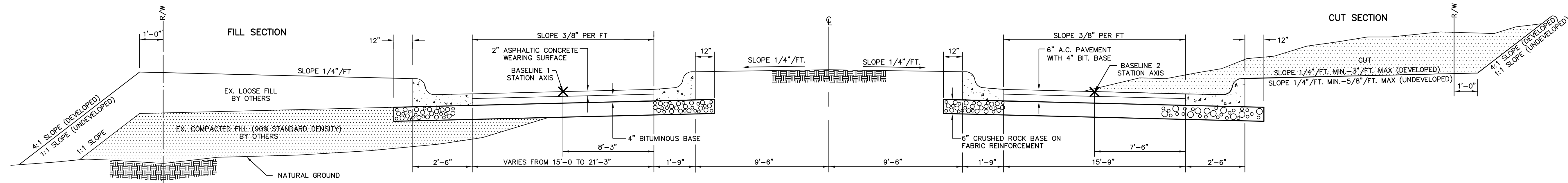
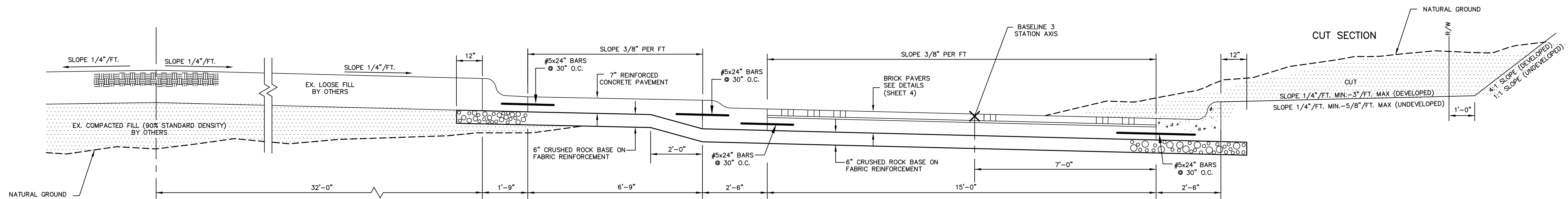


TYPICAL SECTION WITH MEDIAN TRANSVERSE SECTIONS



TYPICAL ROUNDABOUT SECTION TRANSVERSE SECTIONS



PHASE 1 PAVING PLANS

GREENWICH OFFICE PARK SECOND
BERKELEY SQUARE FIRST ADDITION

TYPICAL PAVMT. SECTIONS

SHEET TITLE: 472-84959
468-84749
PROJECT NUMBERS

DFL / KKL / GJA
DESIGNED DRAWN CHECKED

ISSUED
March 2011
REVISED

SHEET NO.
2 of 26