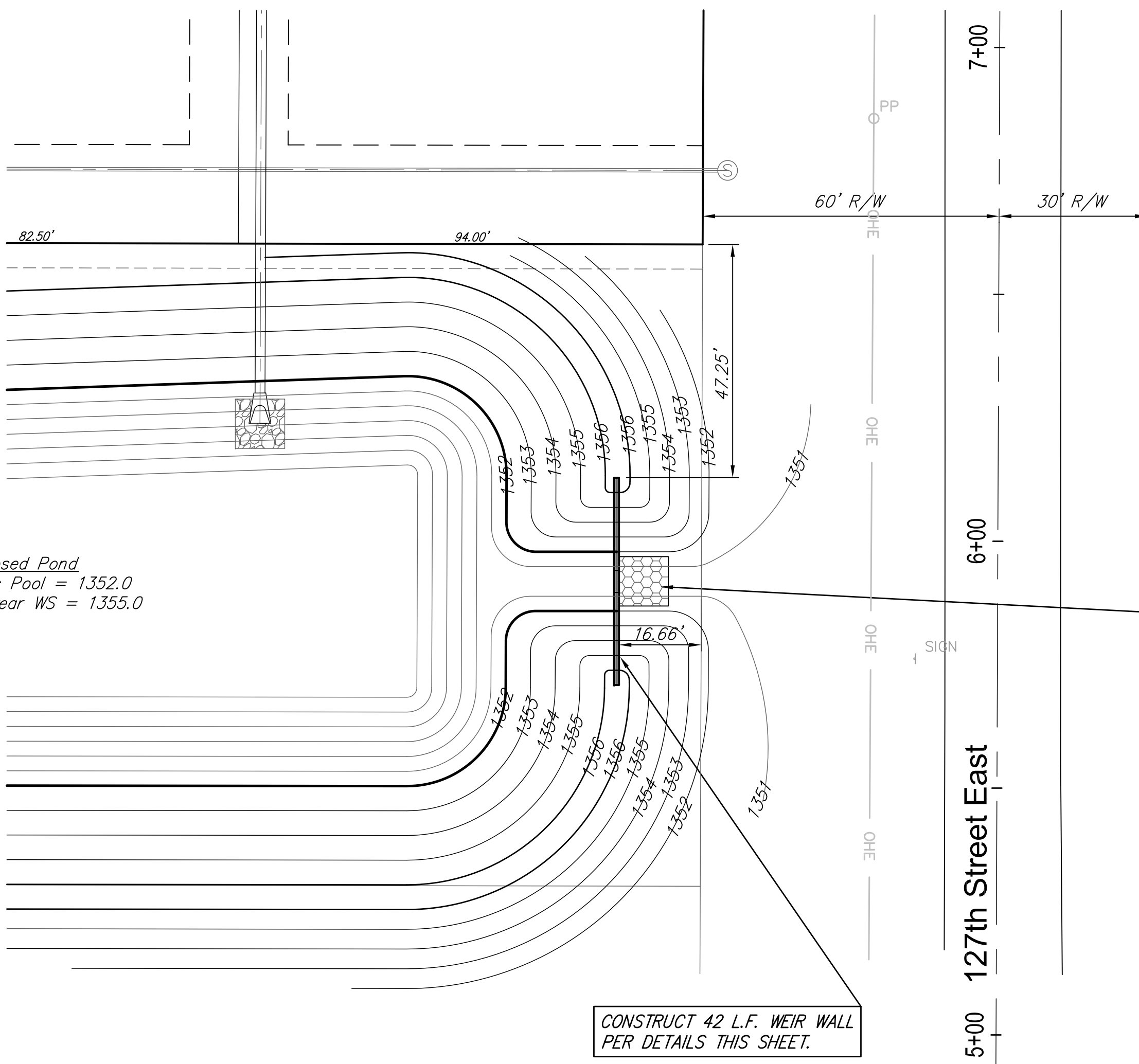


SIDE VIEW

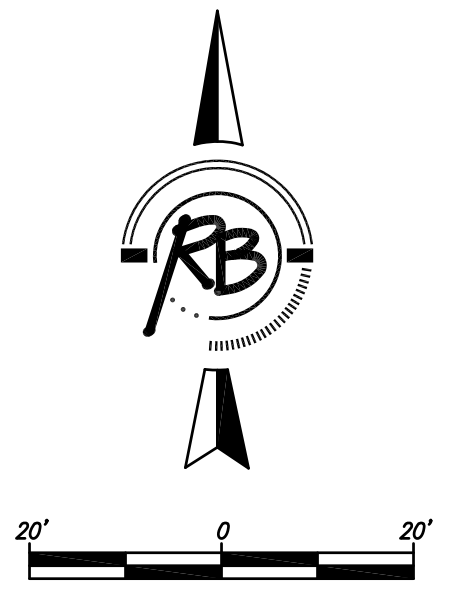
BMP LP318F
LOW PROFILE SNOUT
OR APPROVED EQUAL

BMP, INC.
53 MT. ARCHER ROAD,
LYME, CT. 06371
(800) 504-8008

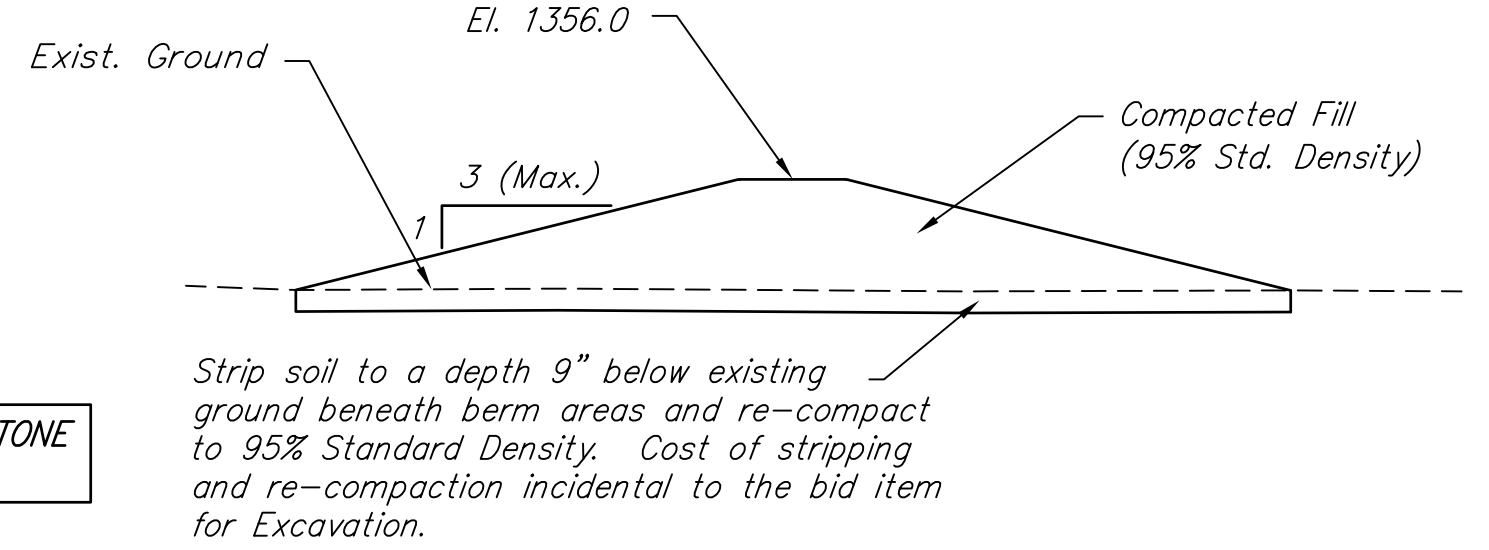
Snout to be considered
subsidiary to the bid item
"Concrete Outlet Weir"



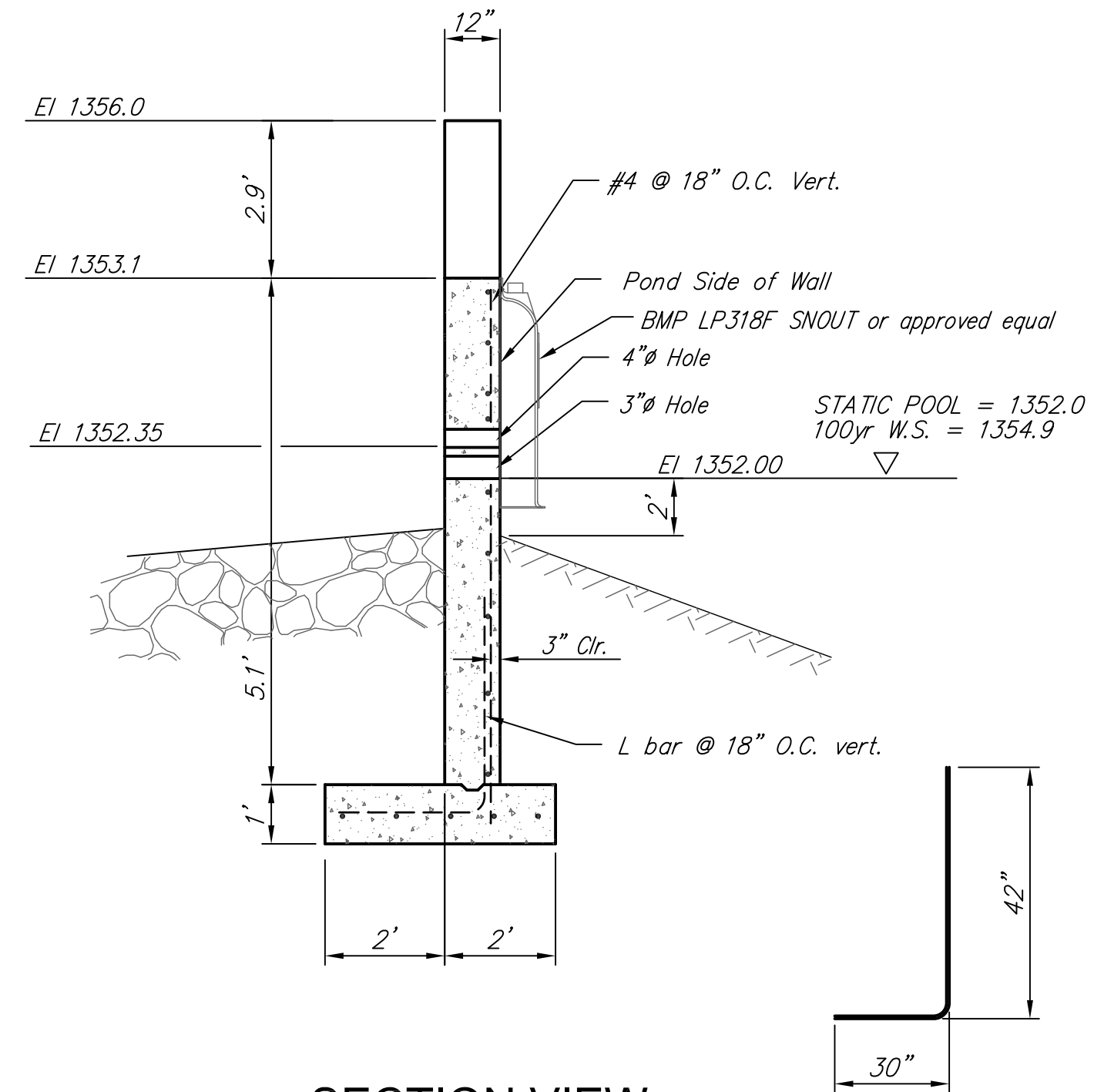
CONSTRUCT 42 L.F. WEIR WALL
PER DETAILS THIS SHEET.



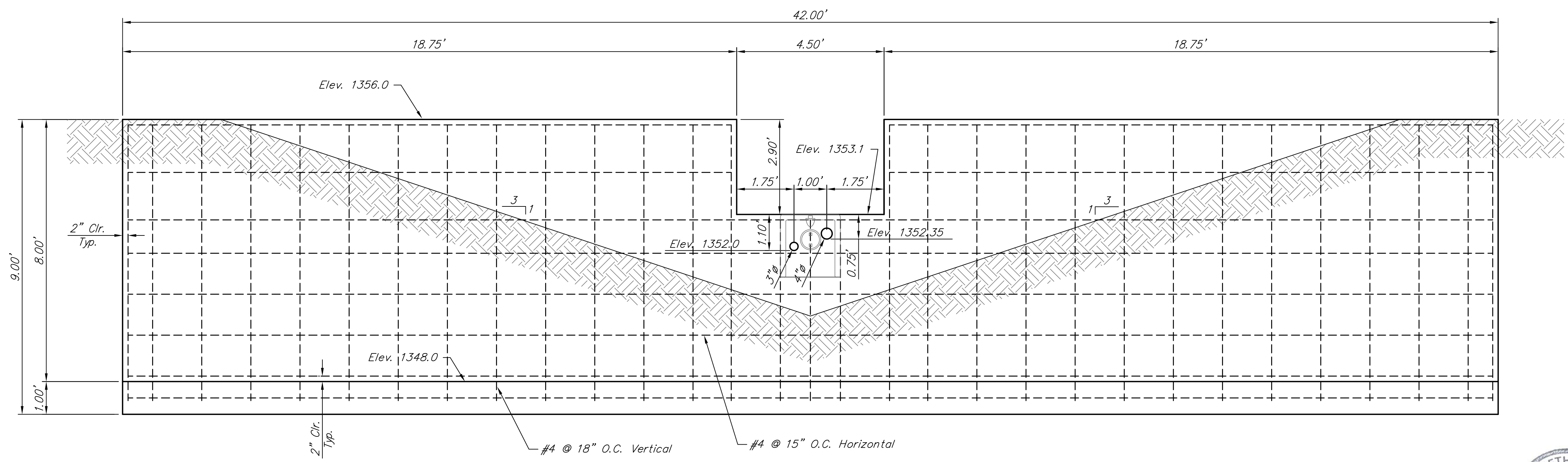
PLACE 10 S.Y. LIGHT STONE
RIPRAP AS INDICATED.



BERM DETAIL



SECTION VIEW



WEIR WALL DETAIL

Air Entrained Concrete: $F_c = 4000$ psi @ 28 days
Reinforcing: $F_y = 60000$ psi
Cover over Reinforcing is 2" Clear unless otherwise noted.



PAVING IMPROVEMENTS WEIR WALL DETAILS WICHITA, KANSAS		DESIGN KWL	REP. JOB STATE
Ruggles & Bohm, P.A. Engineering, Surveying, Land Planning		DRAWN RA	SHEET 9
924 North Main Wichita, Kansas 67203 www.rbkansas.com		REVIEW	OF 22
(316) 264-8008 (316) 264-4621 fax E-mail: info@rbkansas.com		UTILITY	DATE
DRAWING FILE Casa Bella 3 Eng Base {weir wall}	PROJECT NUMBER ..	DATE	..