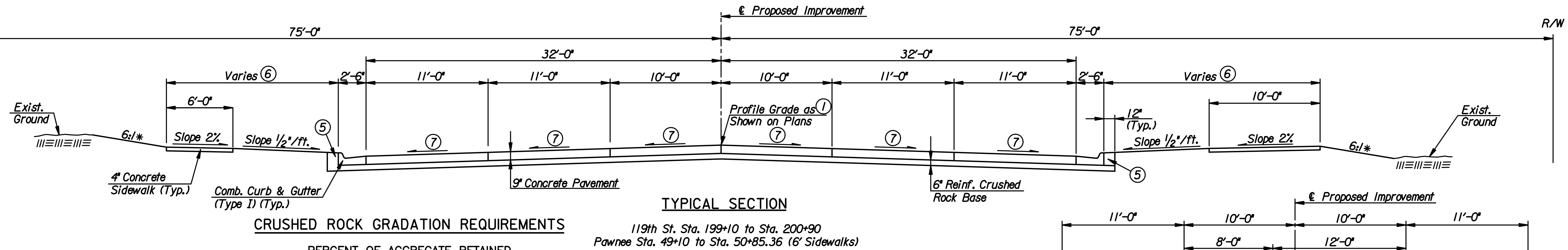
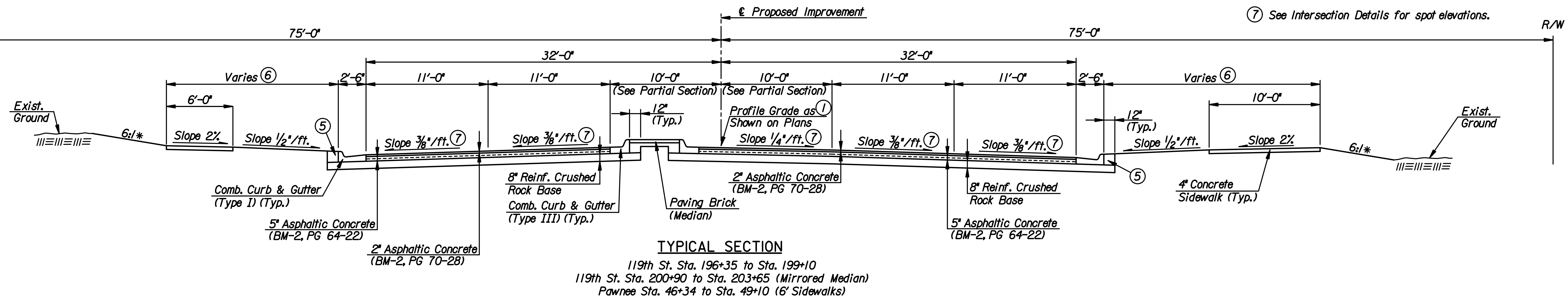
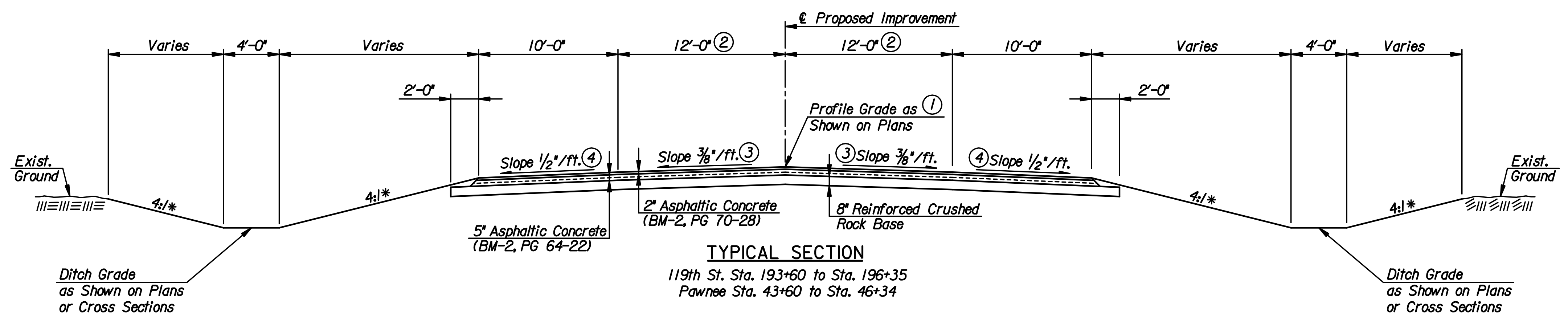


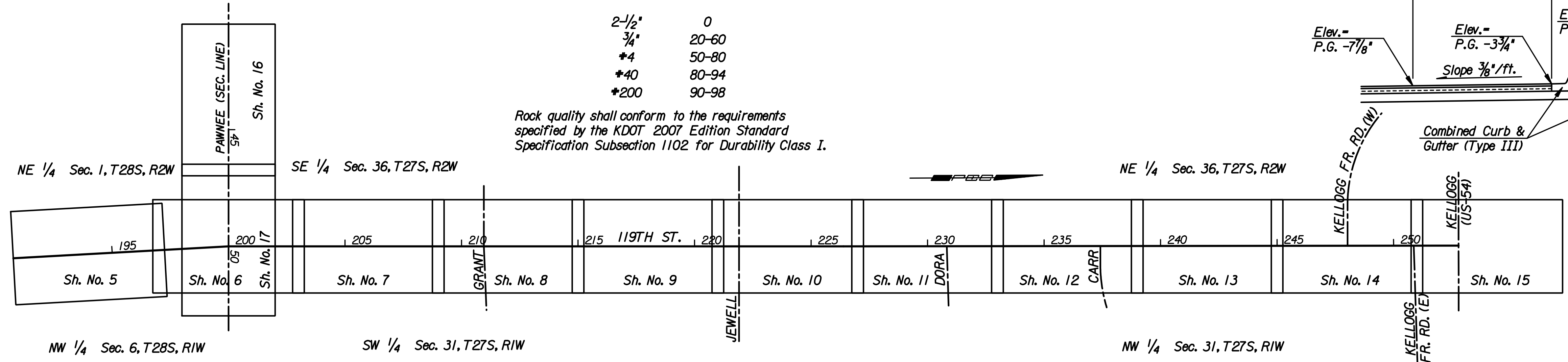
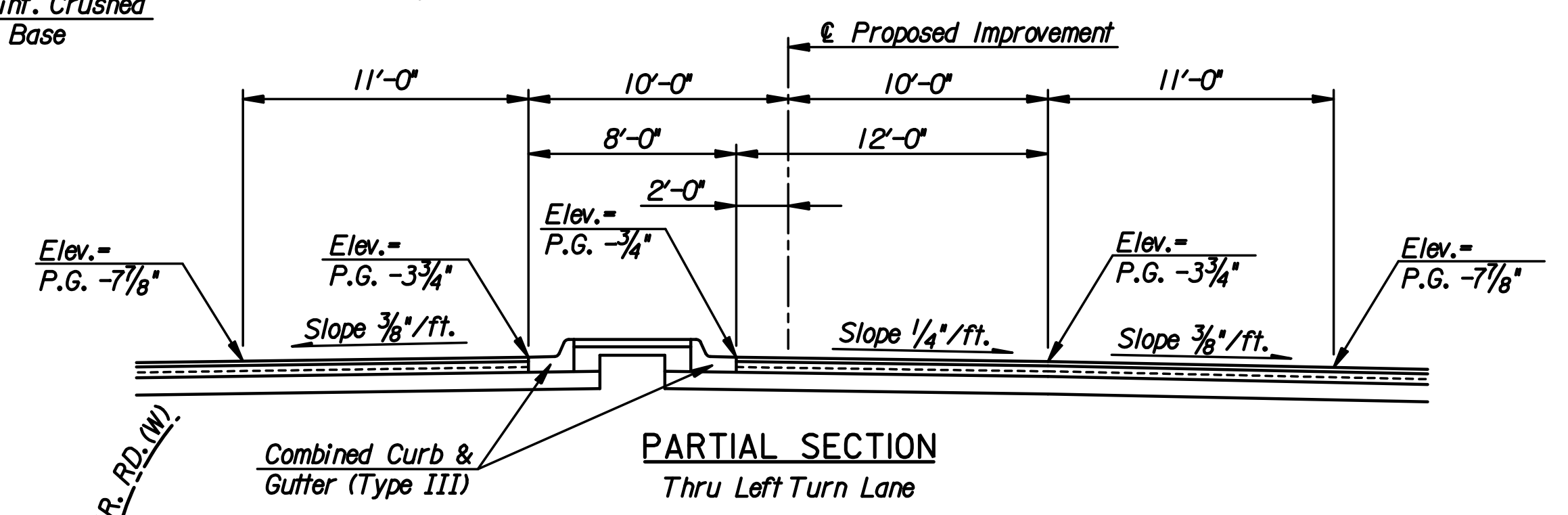
- \* See Cross Sections for Variations.
- ① Profile Grade is the theoretical top of pavement elevation at CL.
- ② 119th St.: Varies from 12' at Sta. 193+68.33 to 22' at Sta. 196+35. Pawnee: Varies from 12' at Sta. 43+67.33 to 22' at Sta. 46+34.
- ③ 119th St.: Cross Slope Varies from 1/4"/ft at Sta. 193+60 to 3/8"/ft at Sta. 194+50. Pawnee: Cross Slope Varies from 1/4"/ft at Sta. 43+60 to 3/8"/ft at Sta. 44+50.
- ④ 119th St.: Cross Slope Varies from 1/2"/ft at Sta. 195+50 to 3/8"/ft at Sta. 196+35. Pawnee: Cross Slope Varies from 1/2"/ft at Sta. 45+50 to 3/8"/ft at Sta. 46+34.
- ⑤ Backfill behind curb. Quantities for this work are included in the Earthwork Summary Table.
- ⑥ Location of Sidewalk varies. See Plans.
- ⑦ See Intersection Details for spot elevations.



**CRUSHED ROCK GRADATION REQUIREMENTS**  
PERCENT OF AGGREGATE RETAINED

2-1/2"	0
3/4"	20-60
*4"	50-80
*40"	80-94
*200"	90-98

Rock quality shall conform to the requirements specified by the KDOT 2007 Edition Standard Specification Subsection 1102 for Durability Class I.



Revision		By	Date
119TH ST.			
<b>TYPICAL SECTIONS</b>			
JAMES L. ARMOUR, P.E. - CITY ENGINEER CITY OF WICHITA PROJECT NO. 472-84694			
<b>Professional Engineering Consultants, P.A.</b> 303 S. TOPEKA - WICHITA, KANSAS 67202 316-262-2691 • FAX 316-262-3003			
Designed by	JPS	Job No.	08208
Drawn by	AKL	Date	Sept., 2010
			Sh. 2 of 149

Plotted By: svb Date: 1/20/2011 11:03:55 AM  
 FILE: I:\2008\08208\Typical\08208-TypSec L.dgn