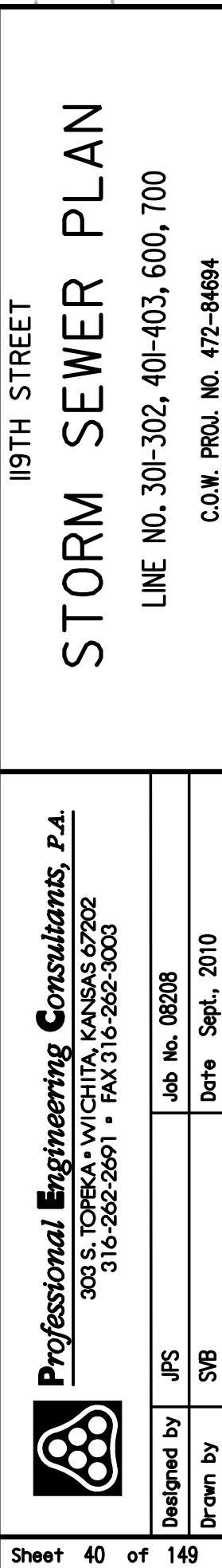
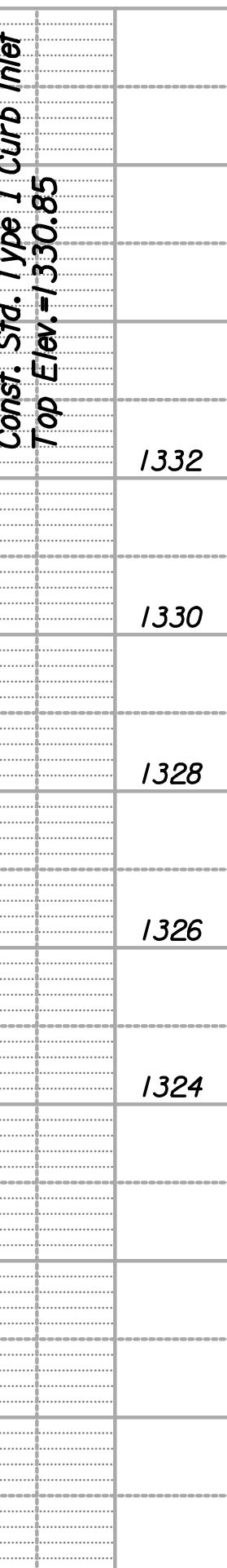
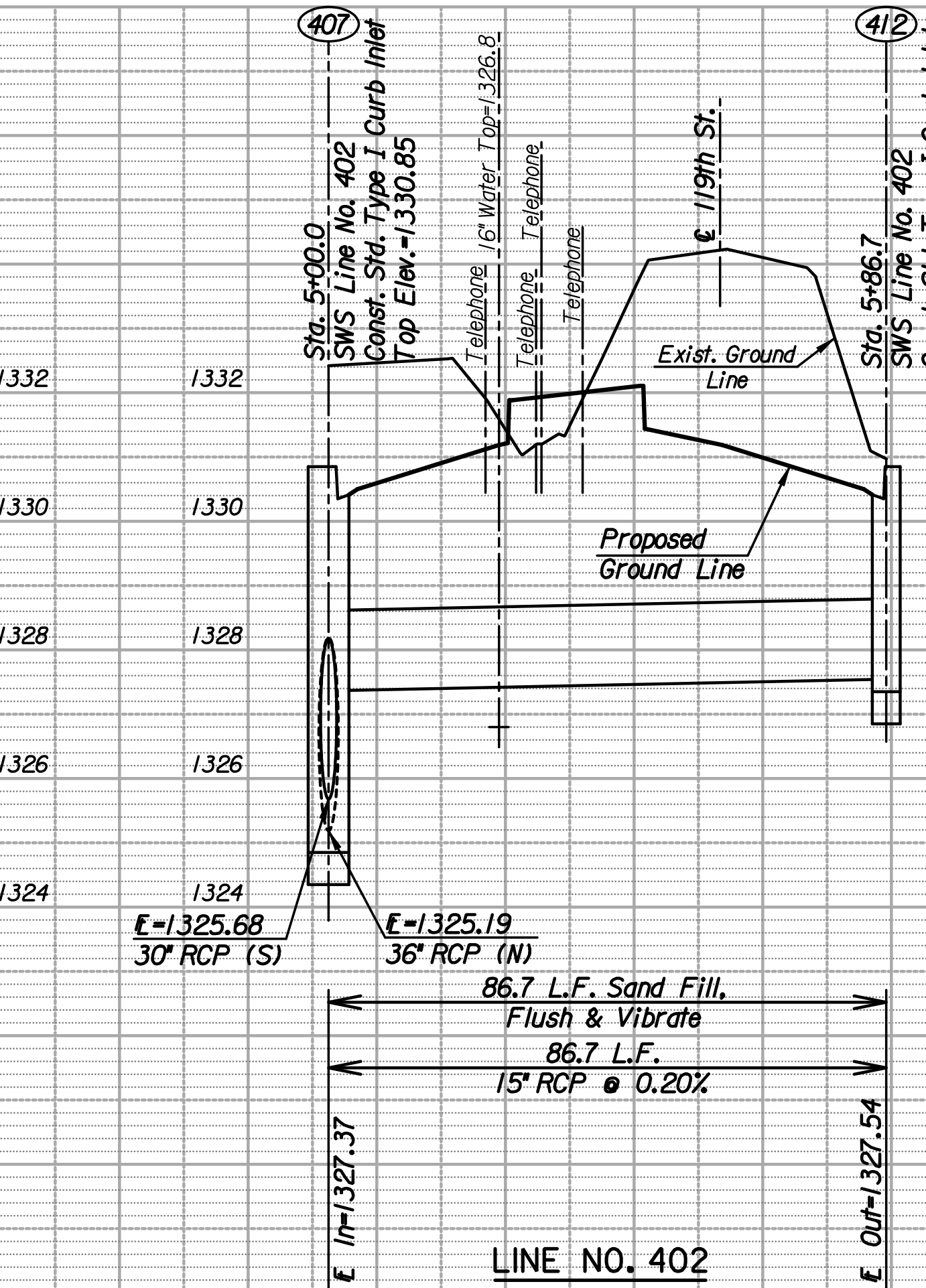
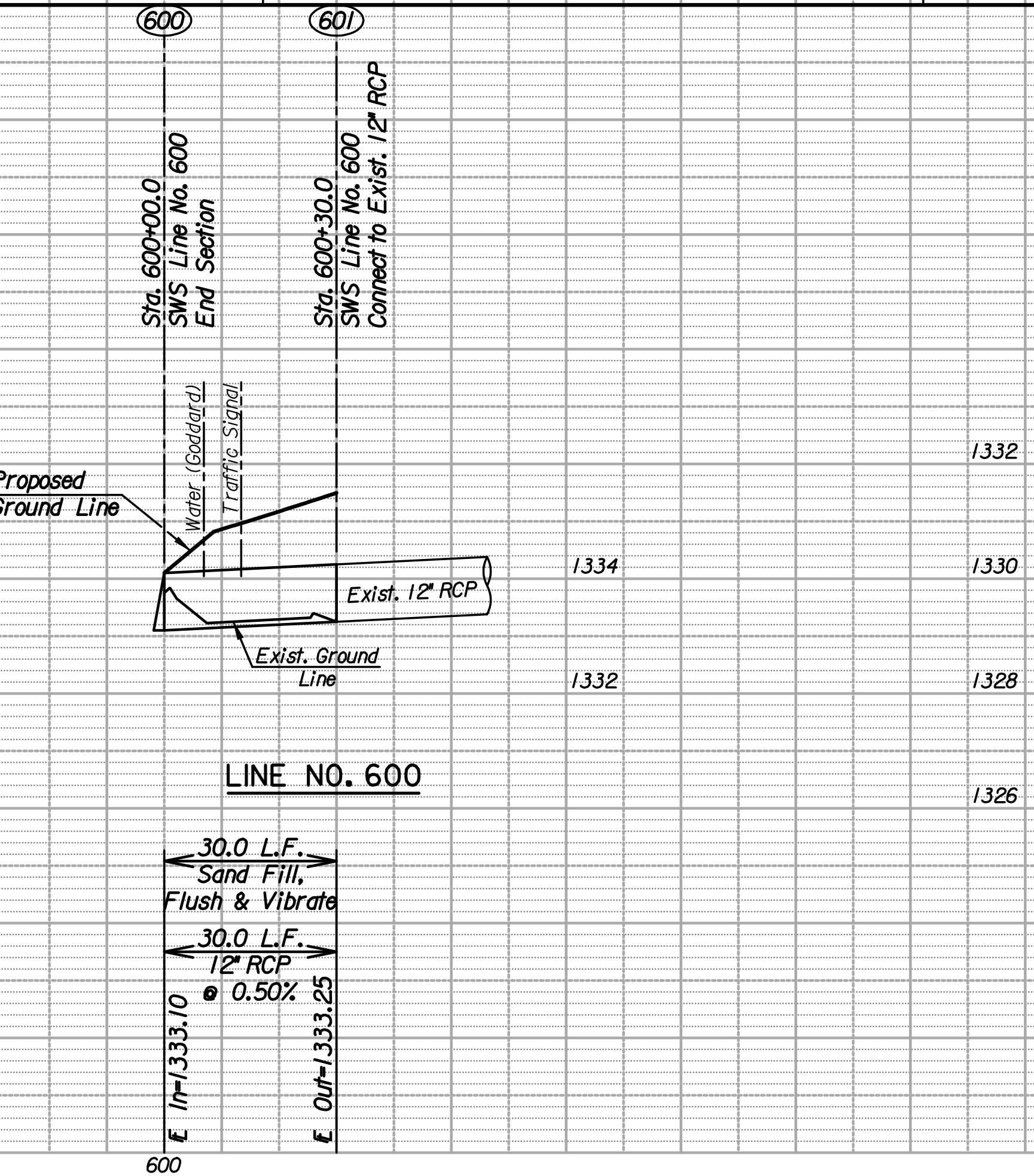
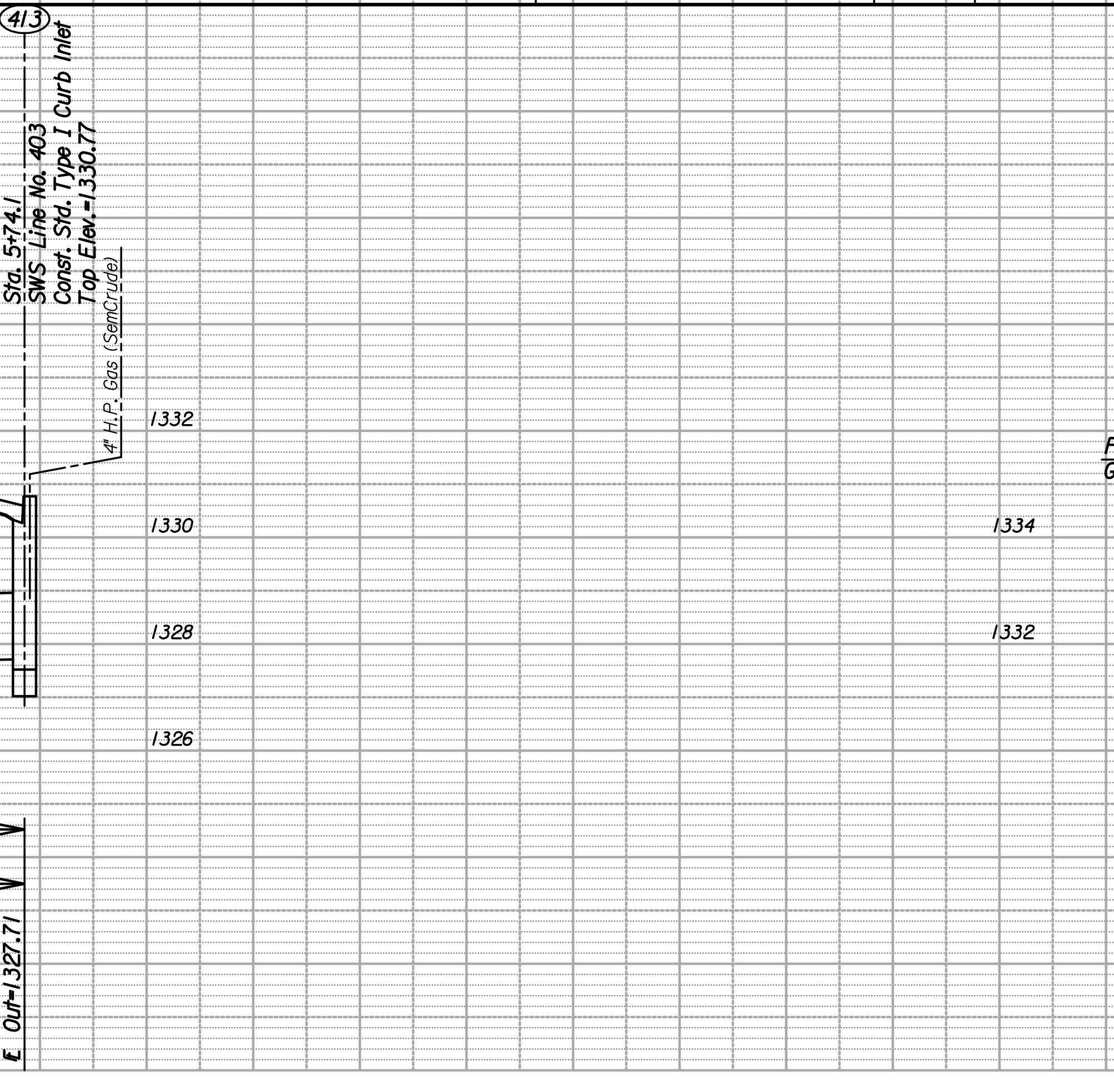
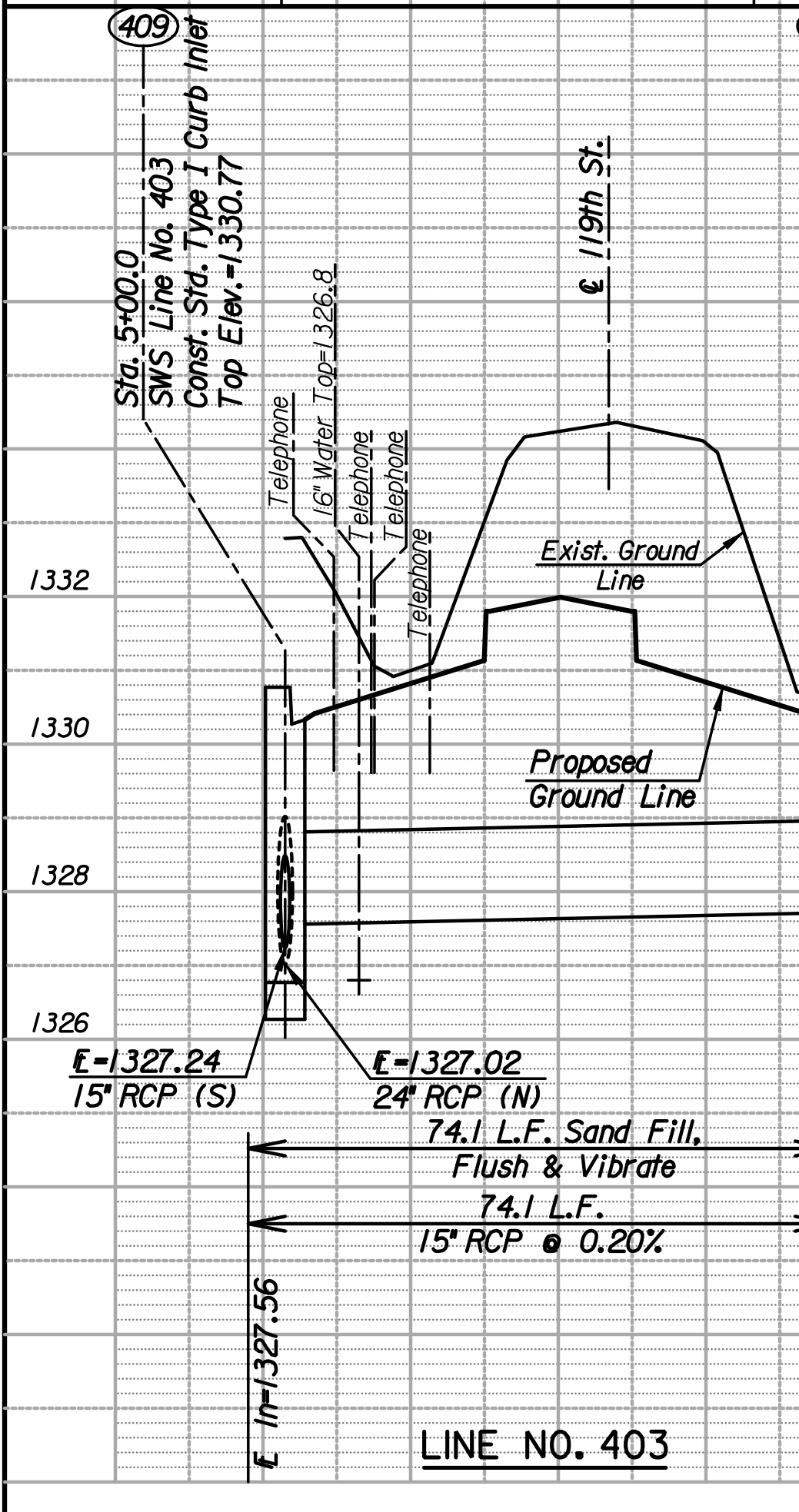
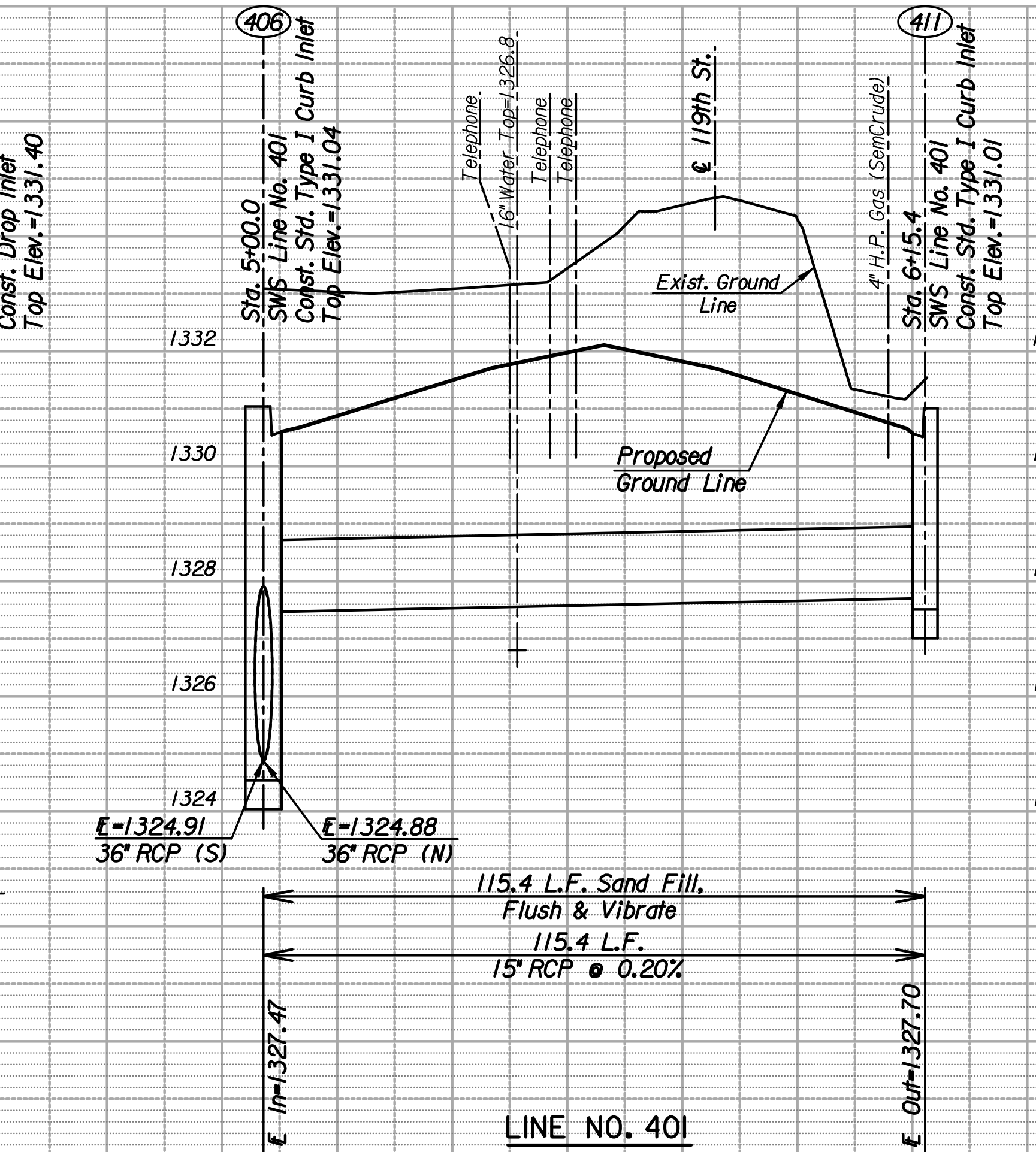
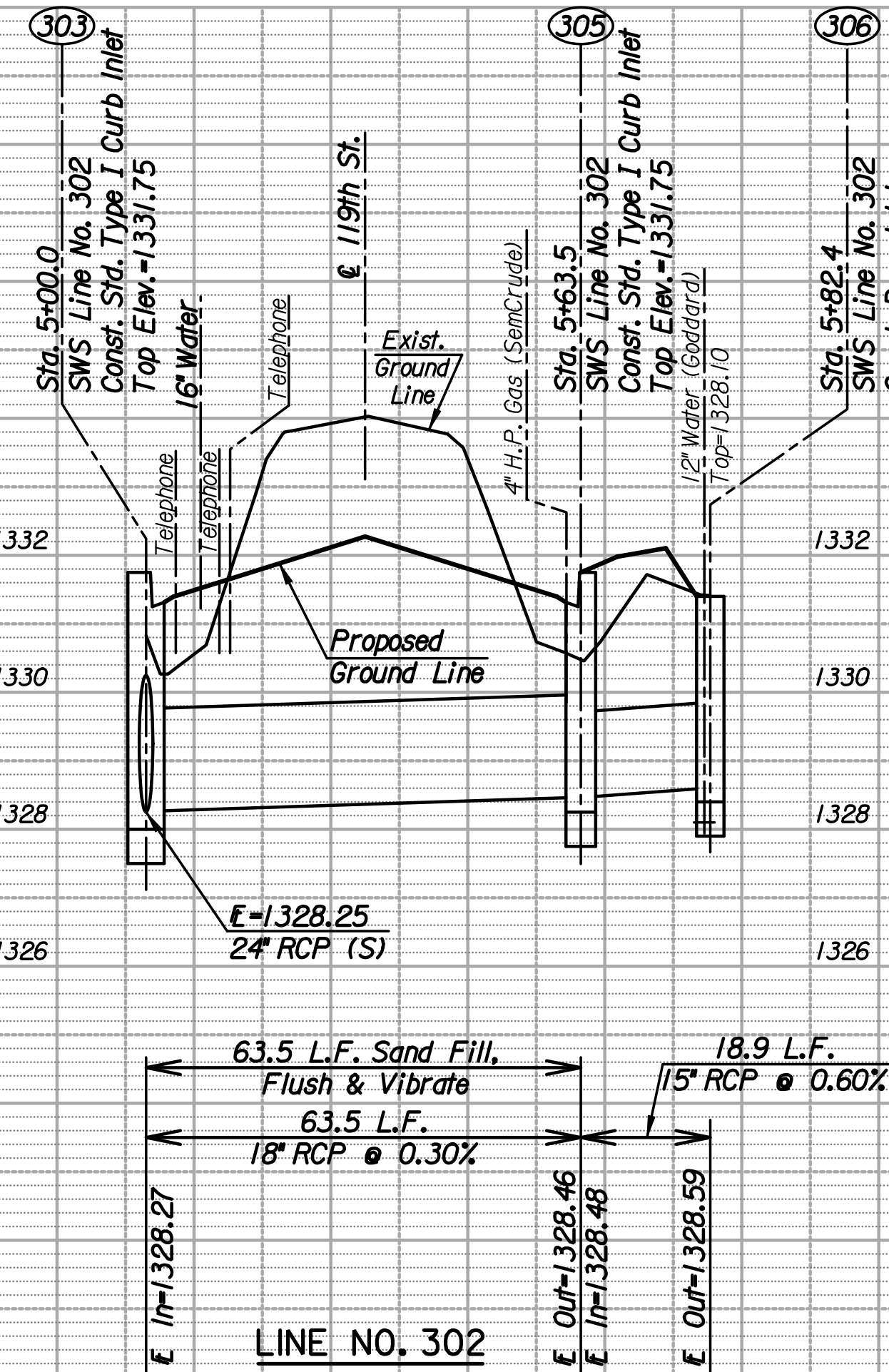
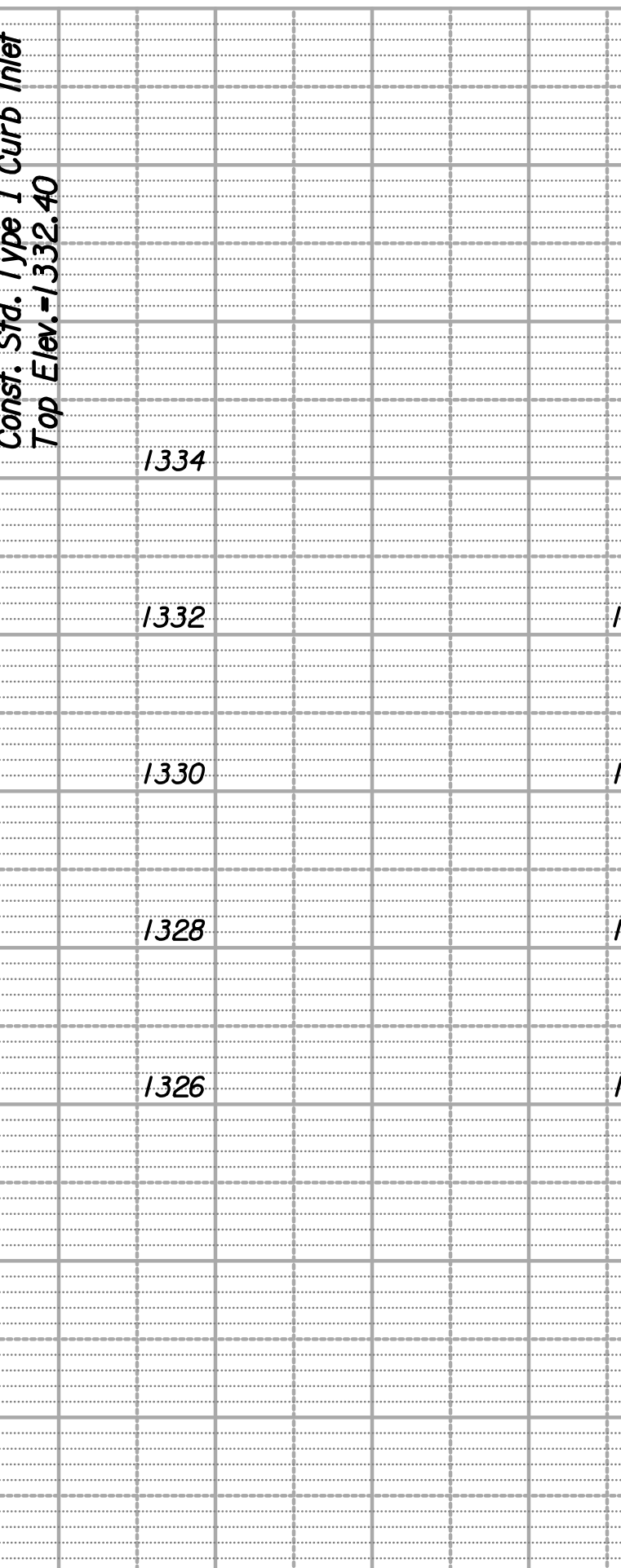
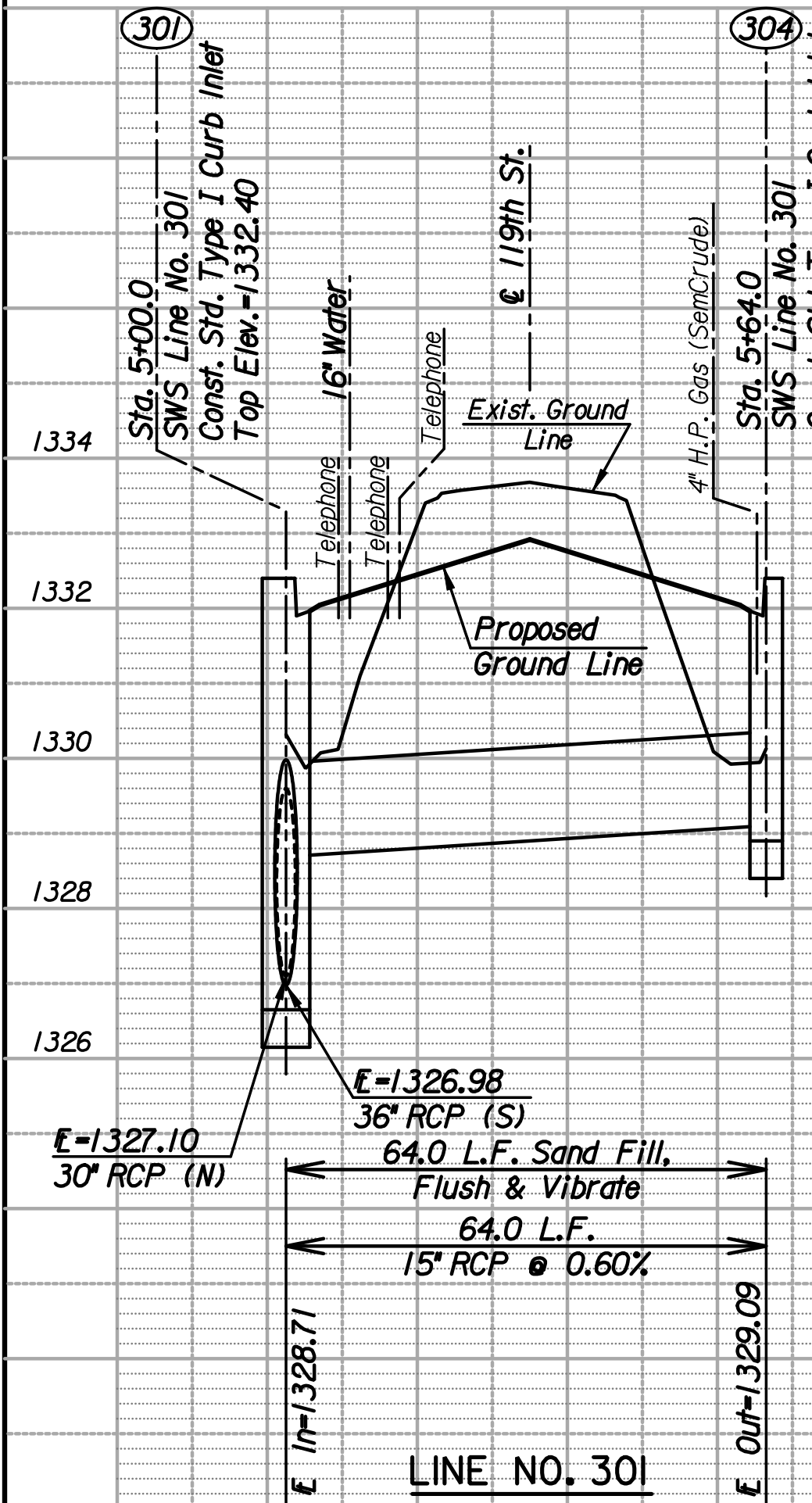


Plotted By: svb
 Date: 1/21/2011 3:03:25 PM
 FILE: I:\2008\08208\SWS\08208-SWS Crossroads 2.dgn



119TH STREET
STORM SEWER PLAN
 LINE NO. 301-302, 401-403, 600, 700
 C.O.W. PROJ. NO. 472-84894