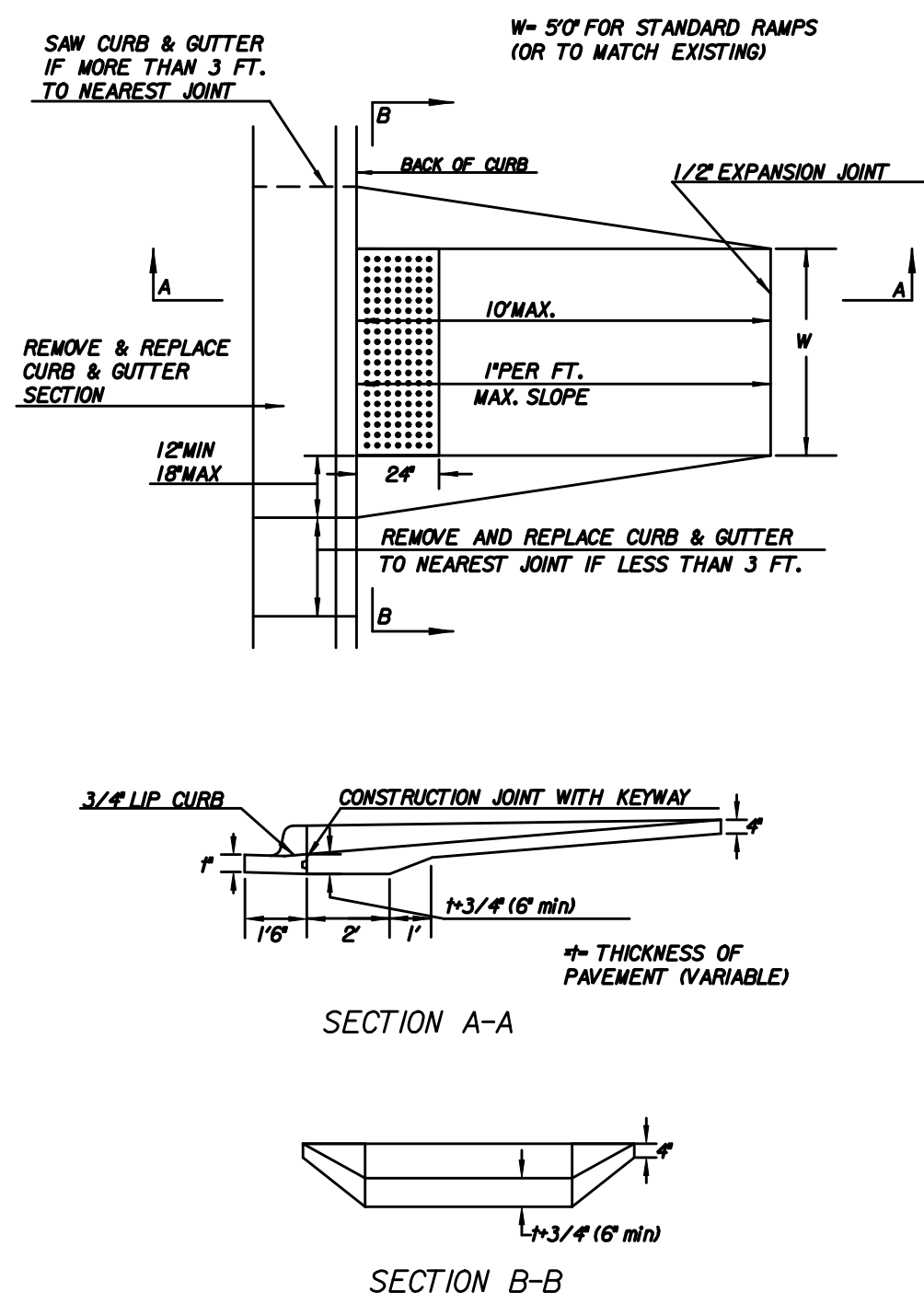
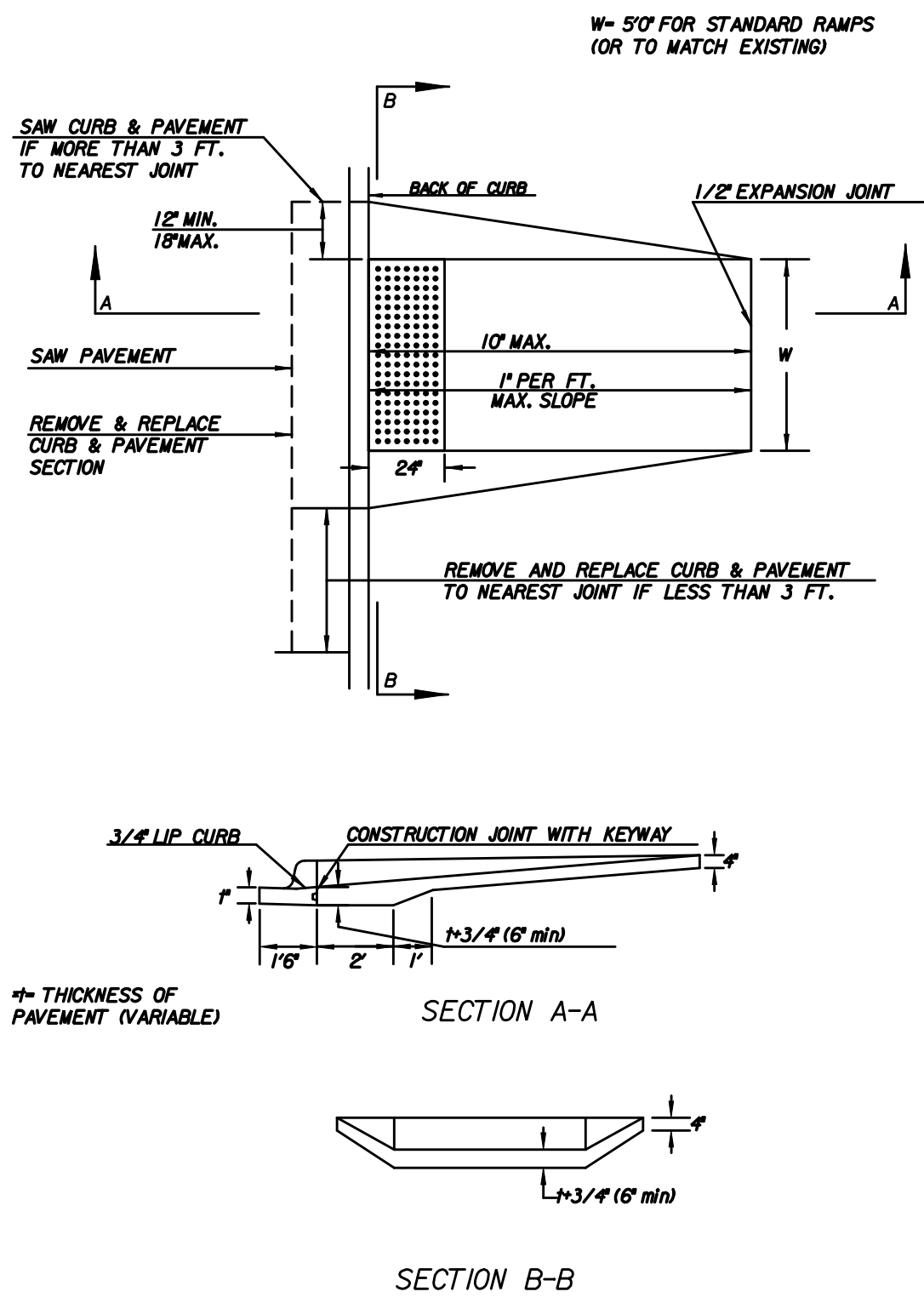


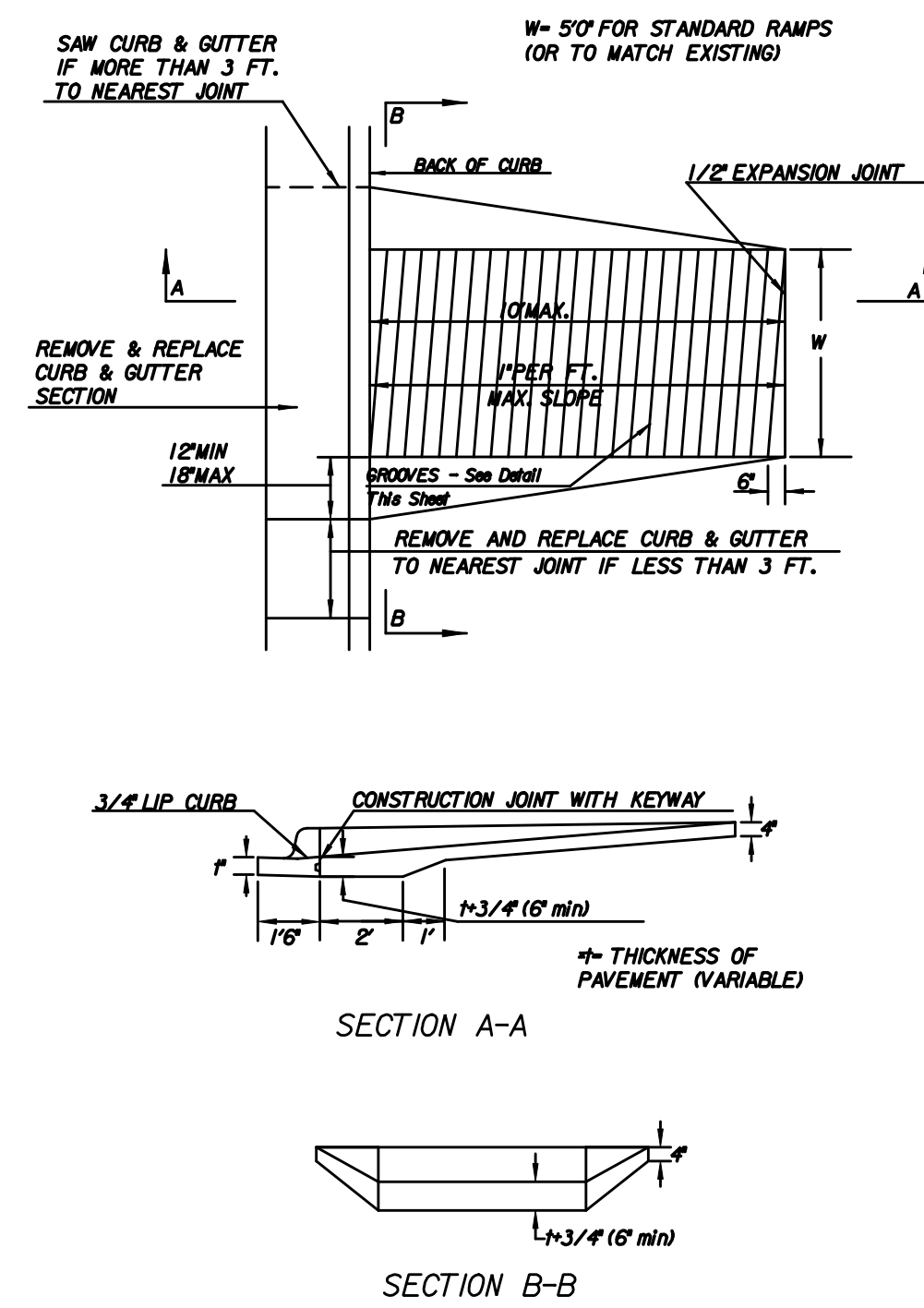
**STANDARD WHEELCHAIR RAMP CONSTRUCTION DETAIL FOR STREETS WITH COMBINED CURB & GUTTER (CLASS A)**



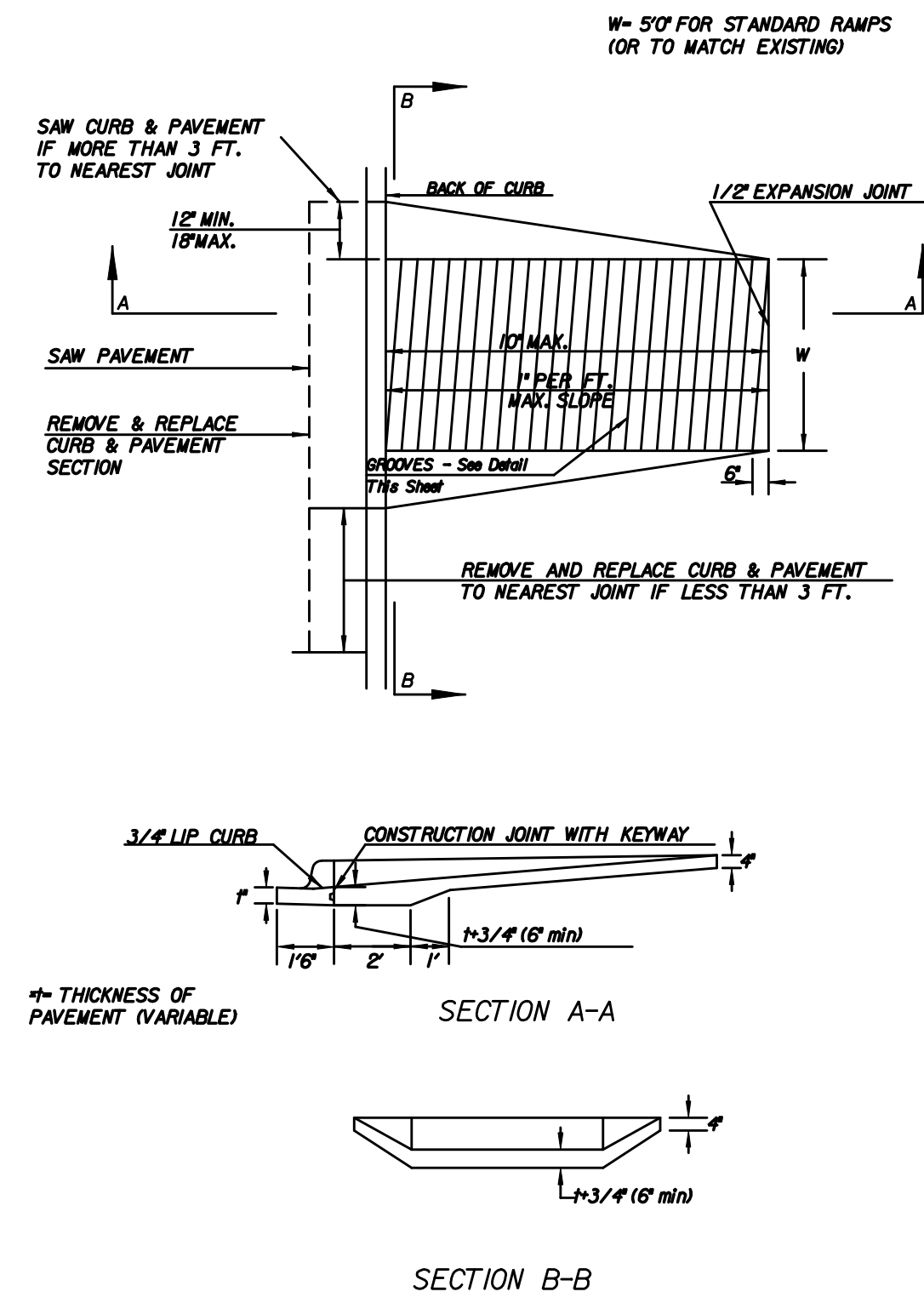
**STANDARD WHEELCHAIR RAMP CONSTRUCTION DETAIL FOR CONCRETE STREETS WITH MONOLITHIC CURB (CLASS A)**



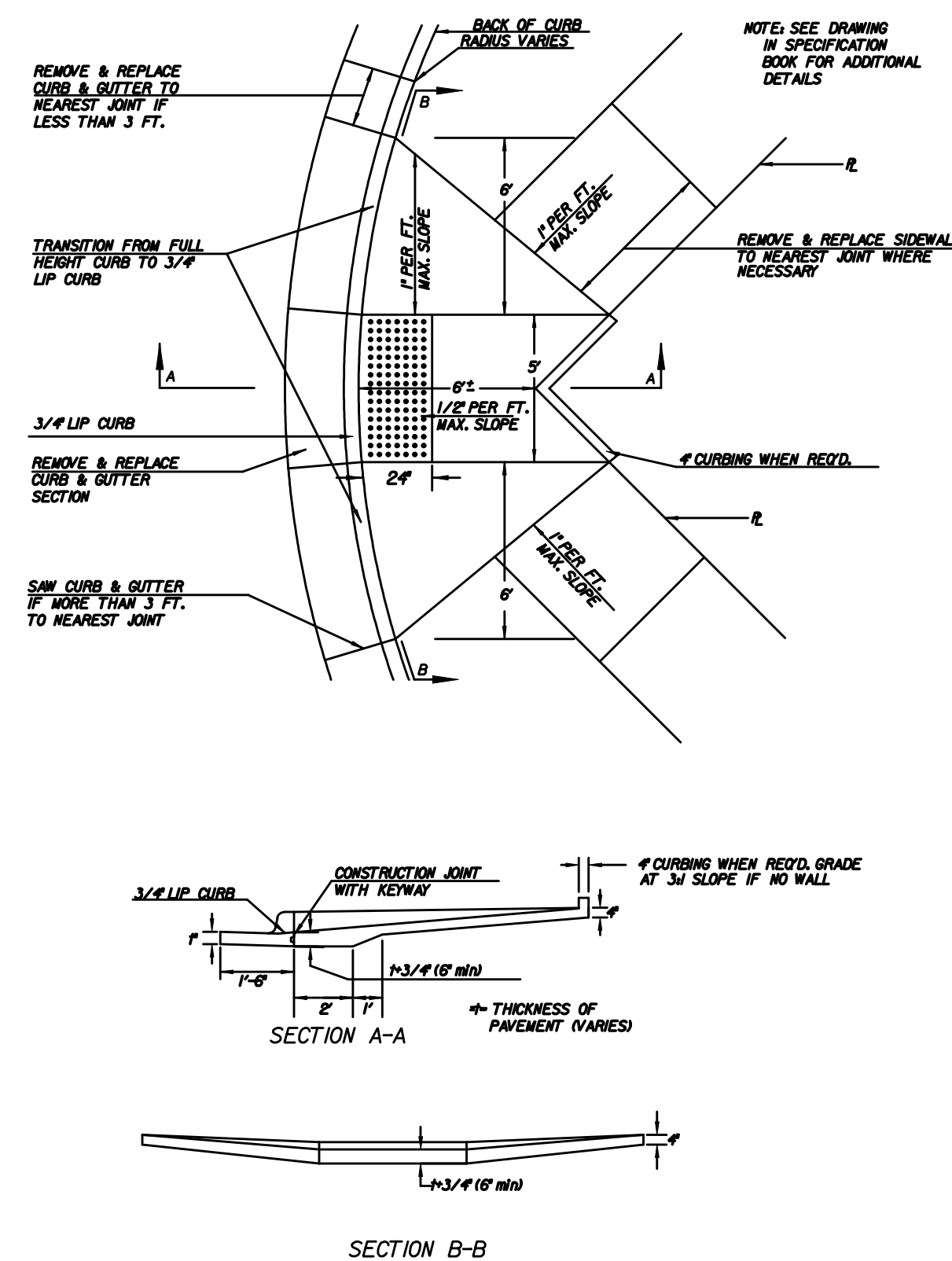
**STANDARD WHEELCHAIR RAMP CONSTRUCTION DETAIL FOR ENTRANCES WITH COMBINED CURB & GUTTER (CLASS B)**



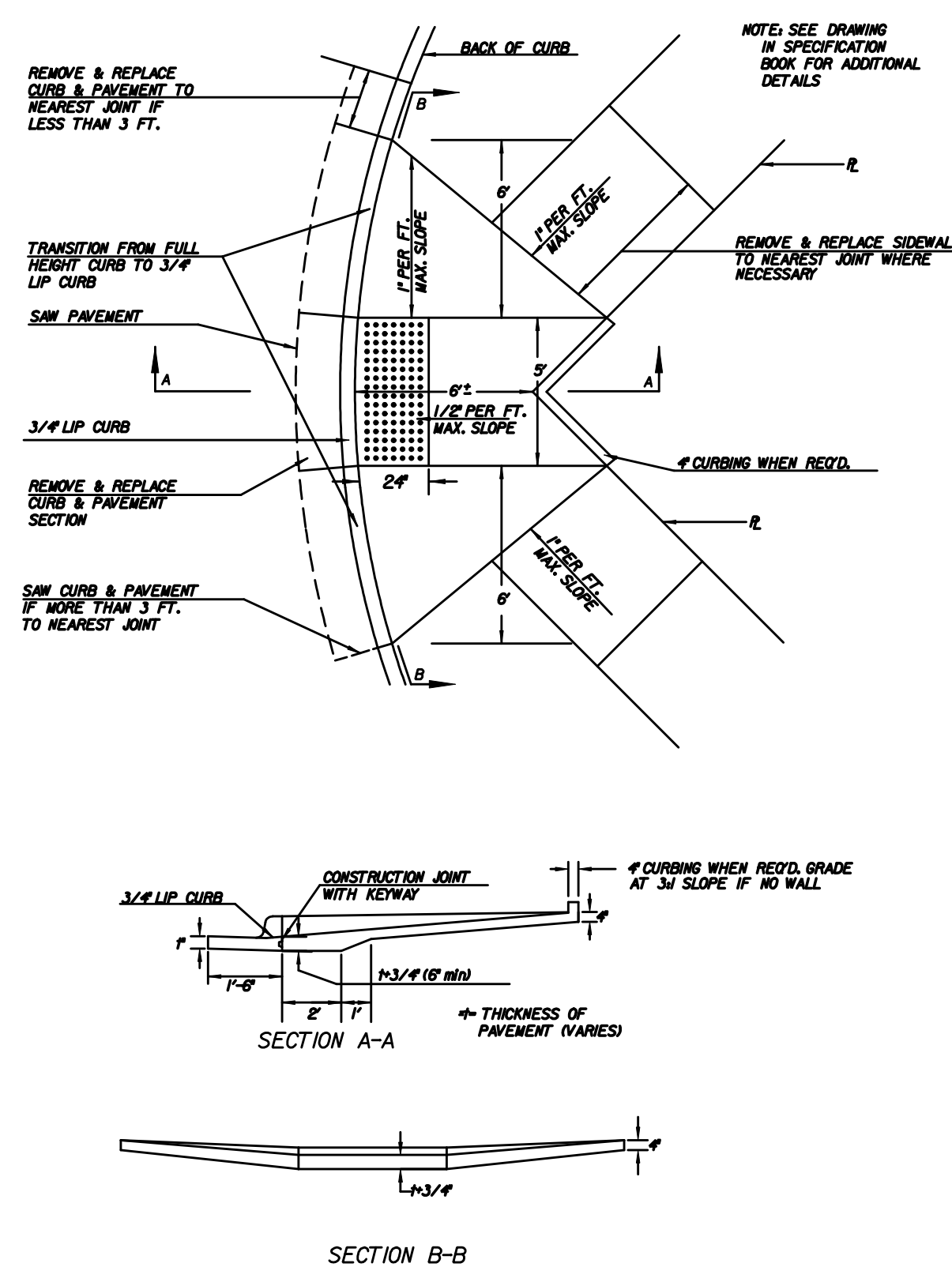
**STANDARD WHEELCHAIR RAMP CONSTRUCTION DETAIL FOR ENTRANCES WITH MONOLITHIC CURB (CLASS B)**



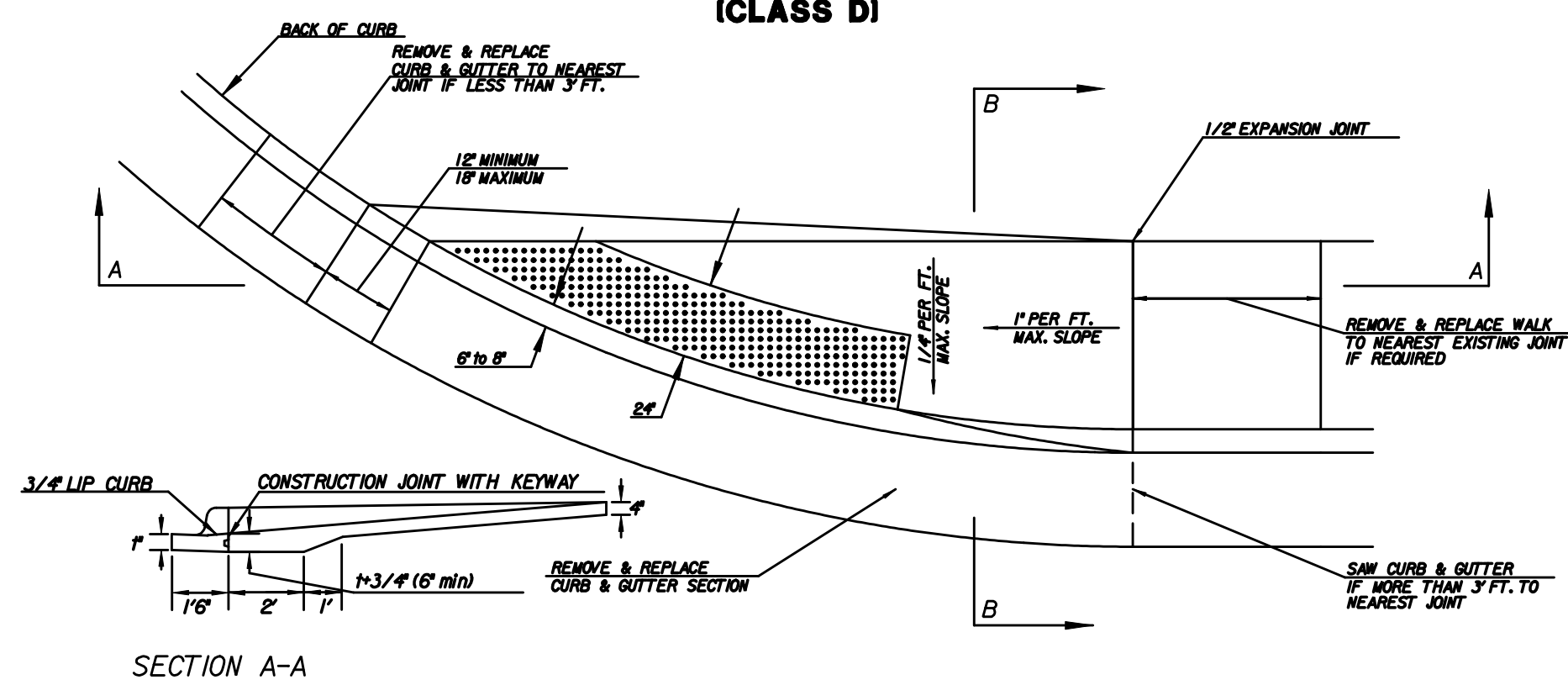
**STANDARD WHEELCHAIR RAMP CONSTRUCTION DETAIL FOR STREET WITH COMBINED CURB AND GUTTER ON RADIUS WITH 6'± FROM BACK OF CURB TO PROPERTY CORNER (CLASS C)**



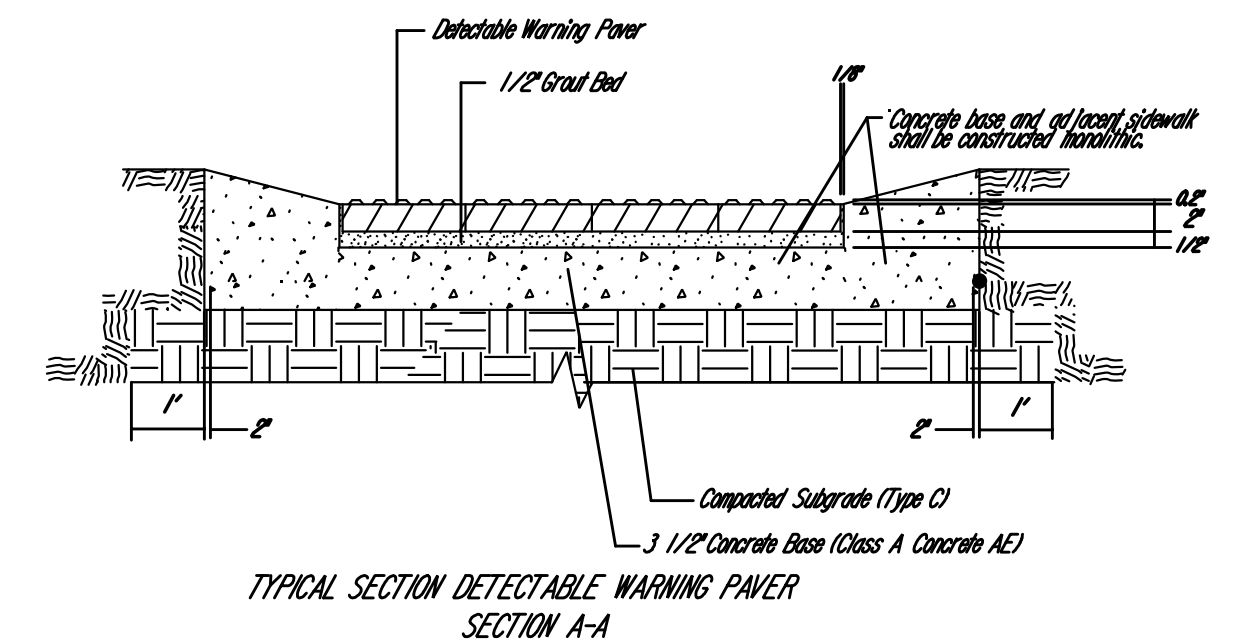
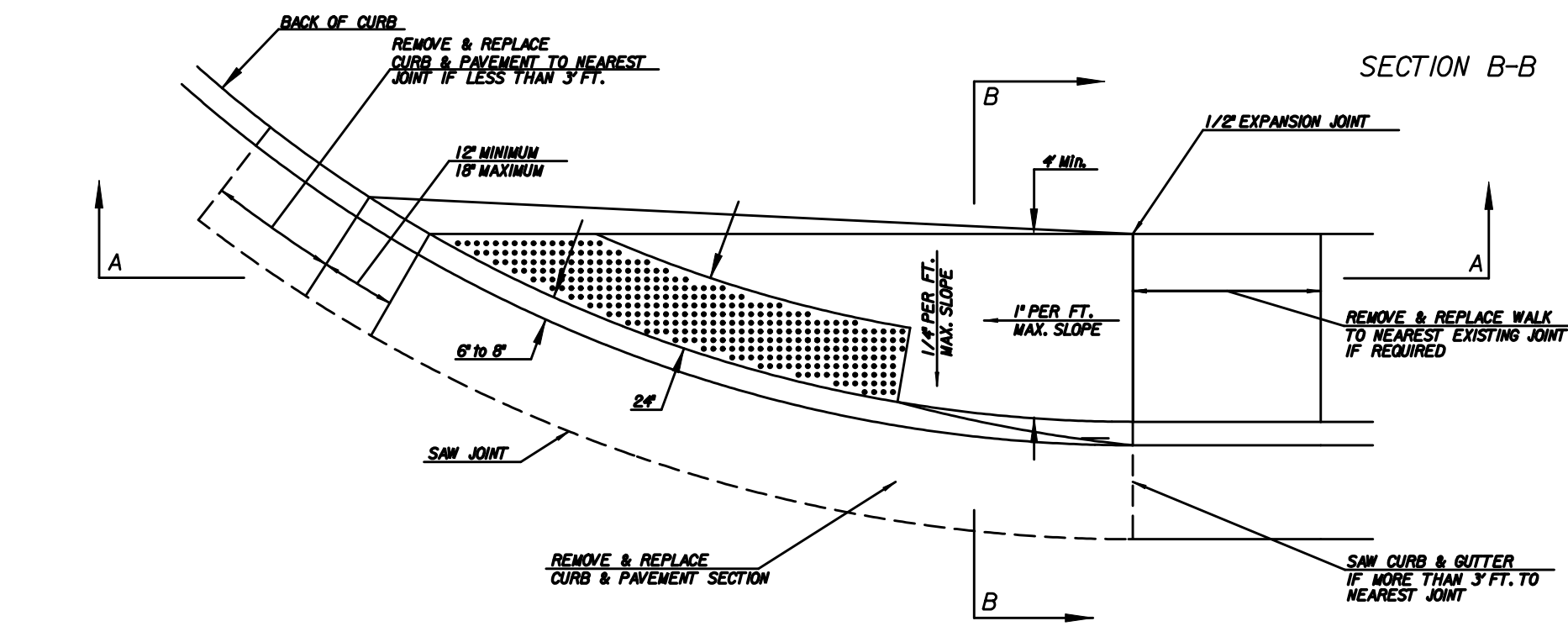
**STANDARD WHEELCHAIR RAMP CONSTRUCTION DETAIL FOR STREET WITH MONOLITHIC CURB ON RADIUS WITH 6'± FROM BACK OF CURB TO PROPERTY CORNER (CLASS C)**



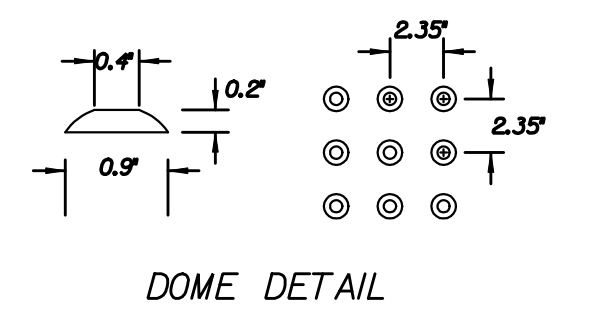
**STANDARD WHEELCHAIR RAMP CONSTRUCTION DETAIL FOR STREETS WITH COMBINED CURB & GUTTER WITH ONE FULL SIDEWALK (CLASS D)**



**STANDARD WHEELCHAIR RAMP CONSTRUCTION DETAIL FOR STREETS WITH MONOLITHIC CURB WITH ONE FULL SIDEWALK (TYPE D)**



NOTE: HOWEVER DETECTABLE WARNING PAVERS (OR AN APPROVED ALTERNATE) SHALL BE USED IN ALL WHEELCHAIR RAMPS. THE 11 3/4" RED 15" PAVES SHALL BE USED IN ALL APPLICATIONS.  
HANOVER ARCHITECTURAL PRODUCTS  
240 BENDER ROAD  
HANOVER, PA 17331  
1-717-631-0500  
www.hanoverpavers.com



DSNR: COW OPER: sub SCALE: 1-1/8"=1'-0" PLOTTED: 6-3-2010 sub /z:/2008/08208/Standards/08208-WCR with Detectable Warning v8.dgn

-WCR with Detectable Warning-ENG-

**WHEELCHAIR RAMP DETAILS**

CITY ENGINEER  
**JAMES L. ARMOUR, P.E., L.S.**

PROJECT NUMBER 472-84694	OCA NUMBER 706988	DATE 07/03
CITY ENGINEER'S OFFICE CITY HALL - SEVENTH FLOOR 455 NORTH MAIN STREET WICHITA, KANSAS 67202-1620 (316) 268-4501 (316) 268-4114 FAX		DESIGN City
DRAWN City		SHEET 51 OF 149