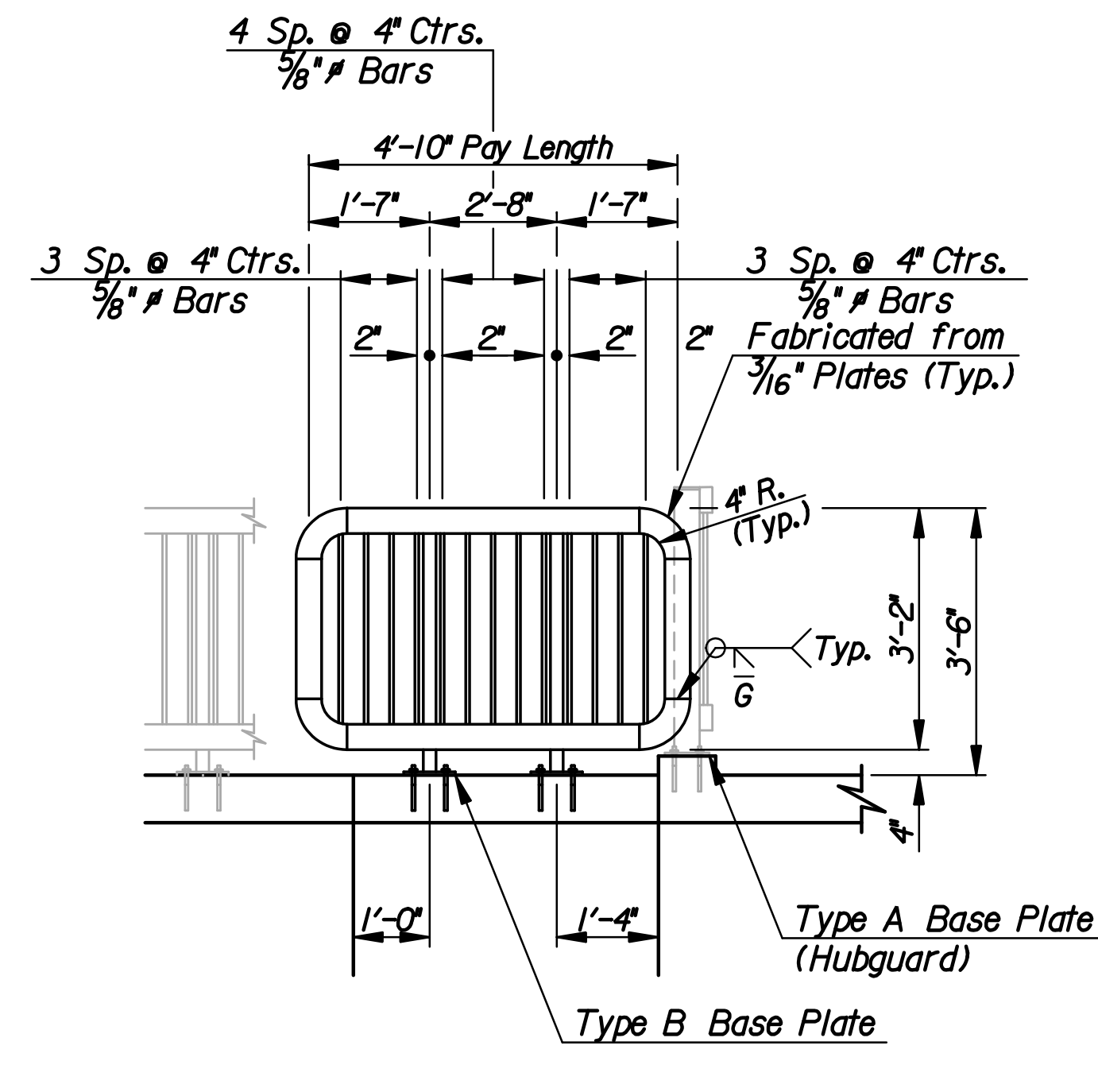
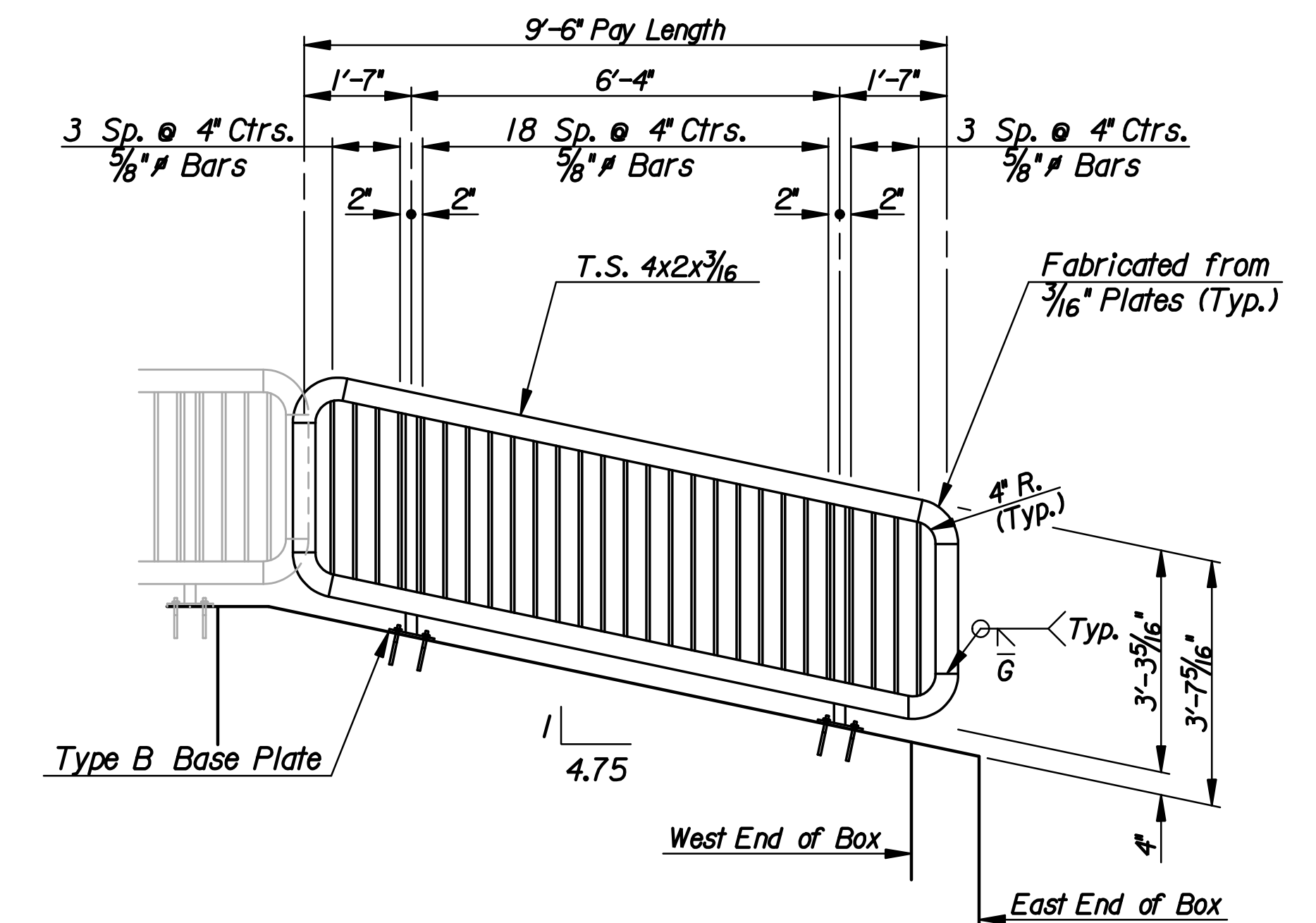


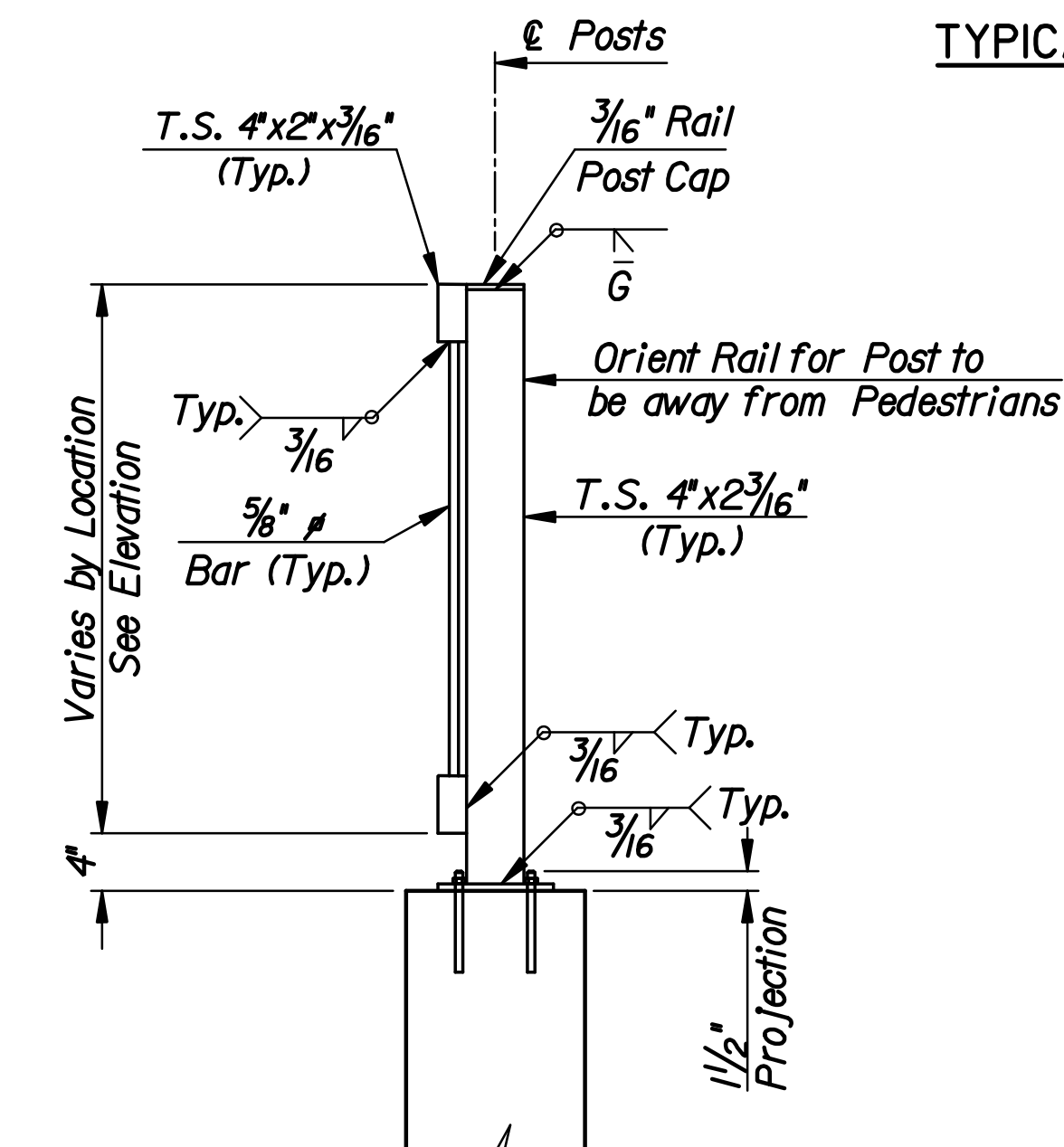
RAIL ELEVATION AT HUBGUARD
(2 Required)



RAIL ELEVATION ON RCB
(2 Required)



TYPICAL RAIL ELEVATION AT WING
(4 Required)

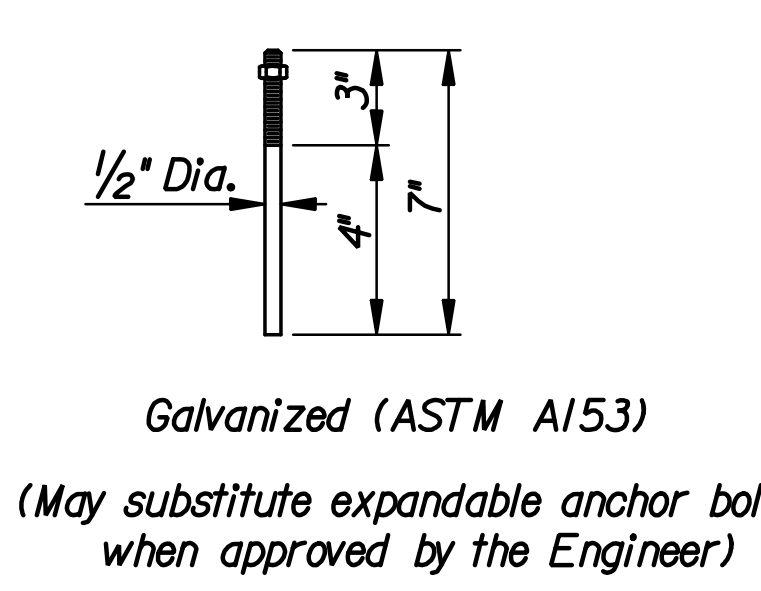
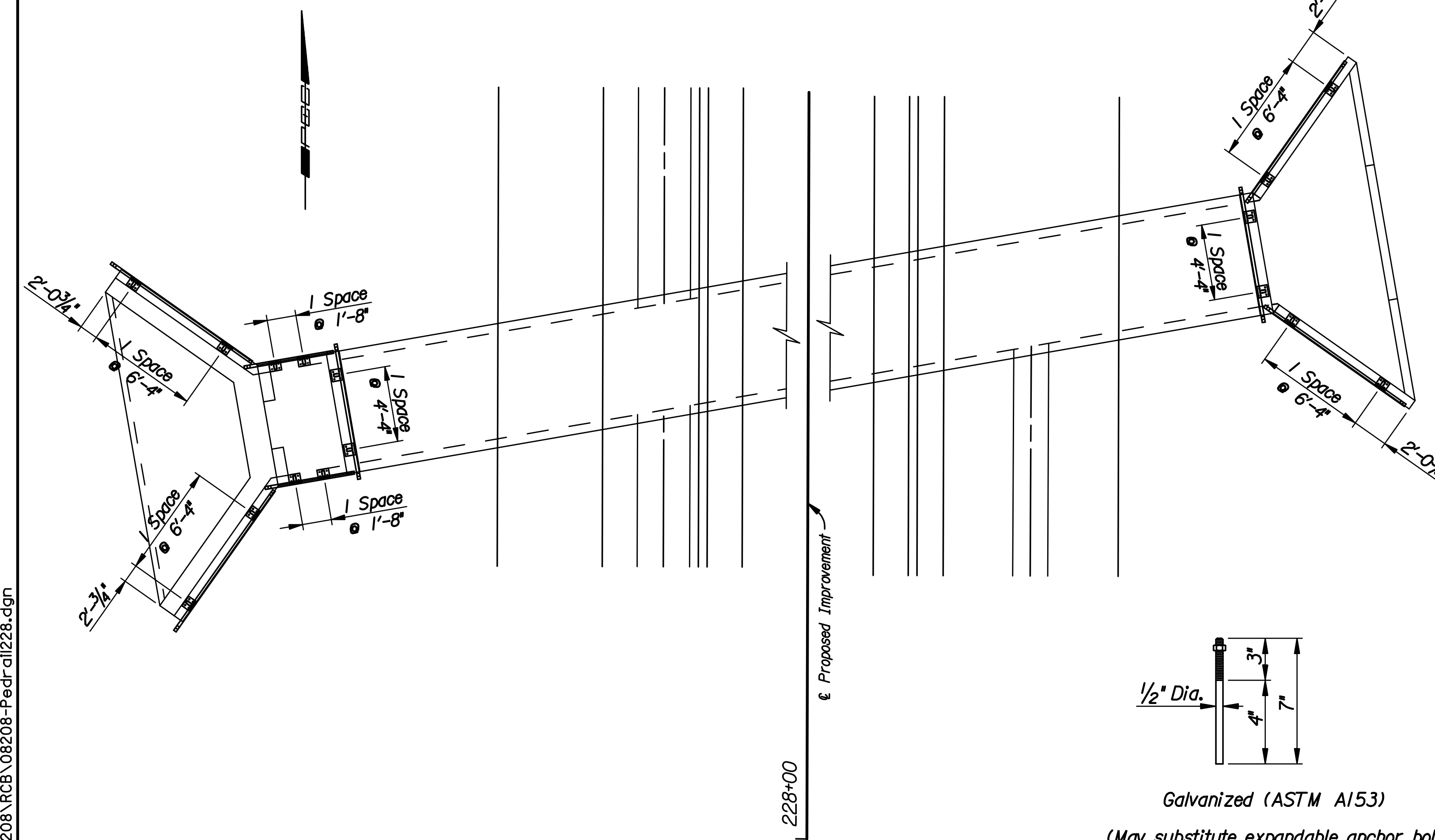


TYPICAL POST
Center Posts on Hubguard or Wingwall

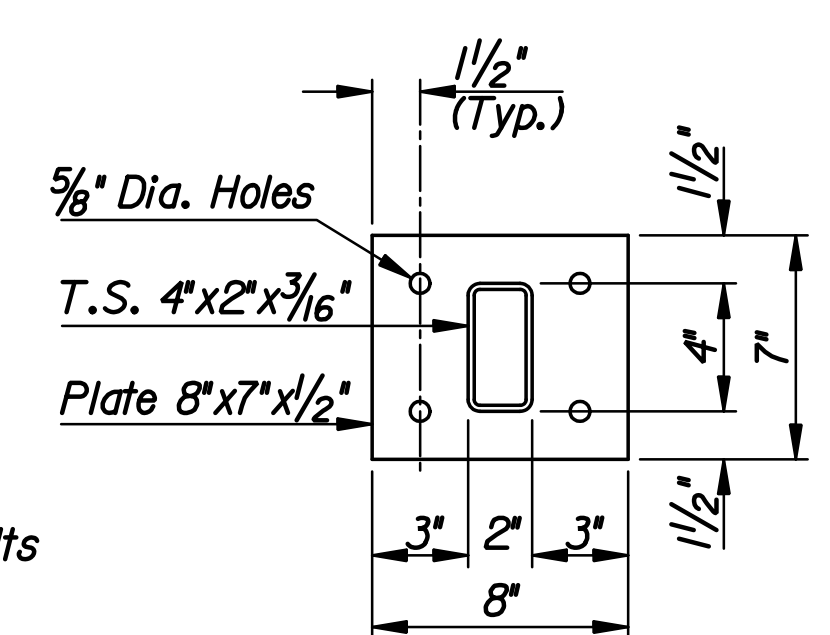
BILL OF MATERIALS	
Handrail (Steel), (Pedestrian) (3'-6")	63.0 L.F.

GENERAL NOTES

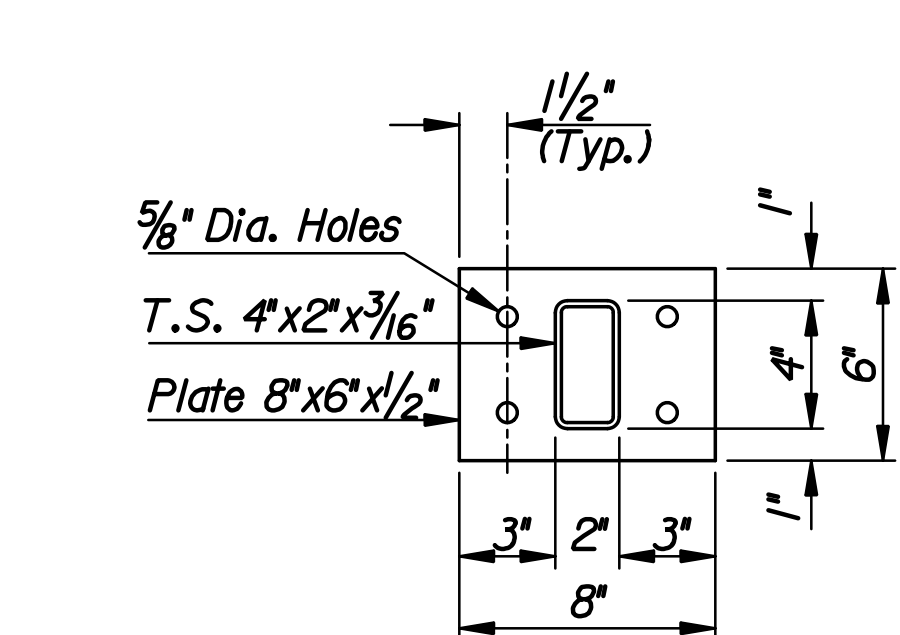
The horizontal members of the Rail and Posts shall be hollow structural tubing. All structural steel tubing shall comply to A.S.T.M. designation A36 or A500 Grade B respectively. Rail shall be fabricated in lengths as shown from joint to joint and joint to end. Post and Bars shall be set vertical and shimmed if required. Prior to painting abrasive blast to commercial finish SSPC-SP6 to obtain a surface profile of 1-1/2 Mills. The shop and field coats applied to structural steel shall conform to an inorganic Zinc Primer with water-borne Acrylic finish coat. (The finish coat shall match Carboline #C900, Ebony Black). Provide a color sample to the Engineer with shop drawing submittal. Material and construction shall conform to the structural welding code A.W.S. D1.1-01. Shop details must be submitted and approved by the Engineer.



ANCHOR BOLT

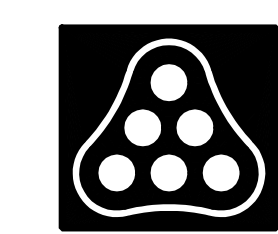


TYPE A BASE PLATE
(4 Required)



TYPE B BASE PLATE
(12 Required)

Plotted By: svb Date: 1/21/2011 5:43:52 PM
FILE: I:\2008\08208\RCB\08208-PedRail228.dgn



119TH ST.		By		Date	
PEDESTRIAN RAIL DETAILS					
STA. 228+29.00					
JAMES L. ARMOUR, P.E.-CITY ENGINEER CITY OF WICHITA PROJECT NO. 472-84694					
Professional Engineering Consultants, P.A.					
303 S. TOPEKA - WICHITA, KANSAS 67202 316-262-2691 • FAX 316-262-3003					
Designed by	RAS	Job No.	08208	Sht. 69 of 149	
Drawn by	DRP	Date	Sept., 2010		