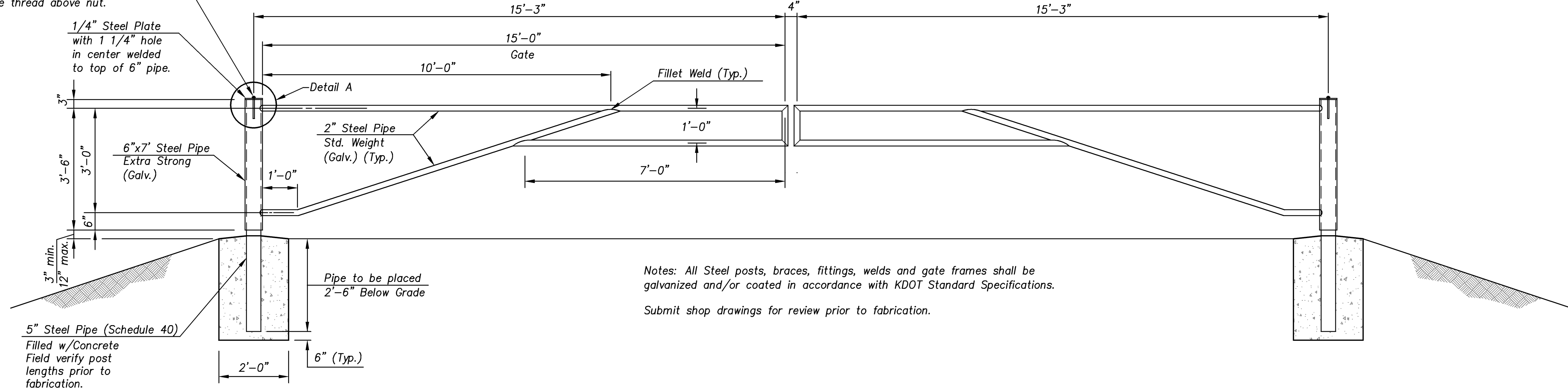


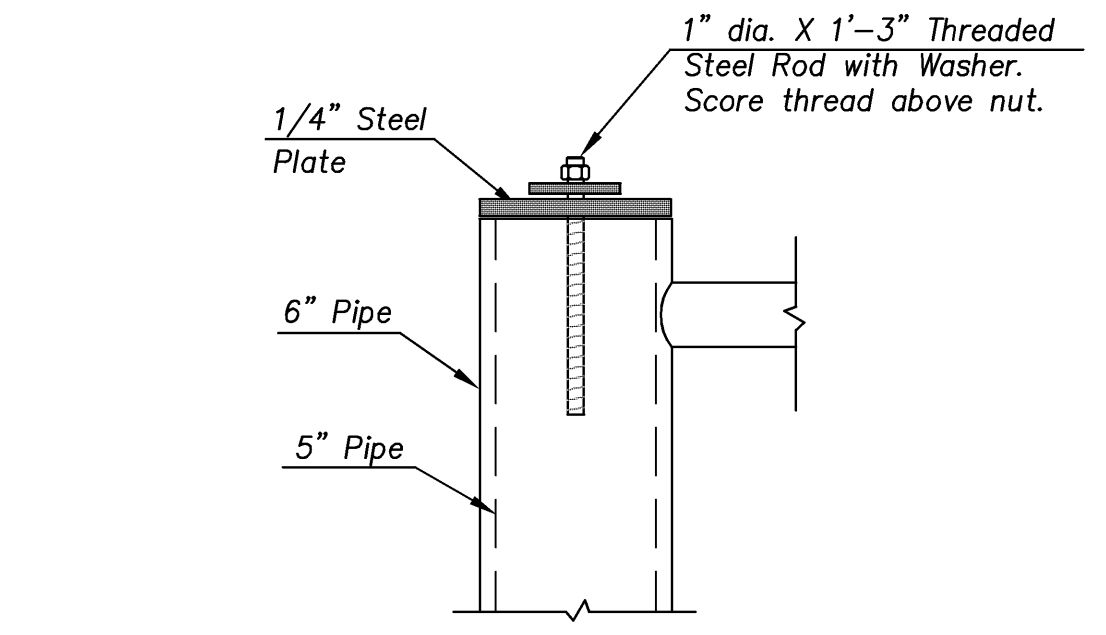
1" dia. x 1'-3" All-Thread Steel Rod
 embedded 1'-0" into concrete in
 center of 5" Pipe. Extend rod through
 hole in steel plate. Thread on 1" nut
 and score thread above nut.



Notes: All Steel posts, braces, fittings, welds and gate frames shall be galvanized and/or coated in accordance with KDOT Standard Specifications.
 Submit shop drawings for review prior to fabrication.


ACCESS GATES DETAIL

Scale: 1/2" = 1'-0"



DETAIL A
 No Scale

J:\2008Proj\08527\DWG\RW Fence_007.dwg Gates_3/23/2011 9:00am hpham

CITY OF WICHITA, KANSAS		 Cook, Flatt & Strobel ENGINEERS, P. A.
PUMP STATION NO. 11		
STRUCTURAL		
ACCESS GATES DETAILS		DESIGNED KMB SCALE As Shown DETAILED HAP DATE 3-24-2011 CHECKED SHEET 7 OF 7