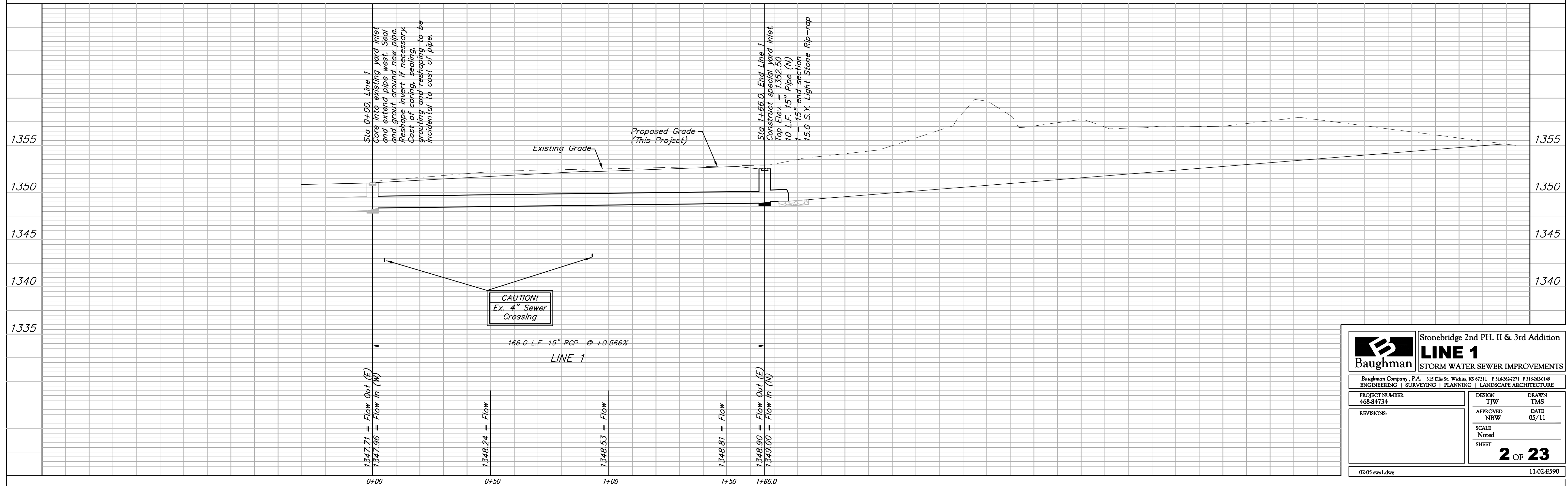
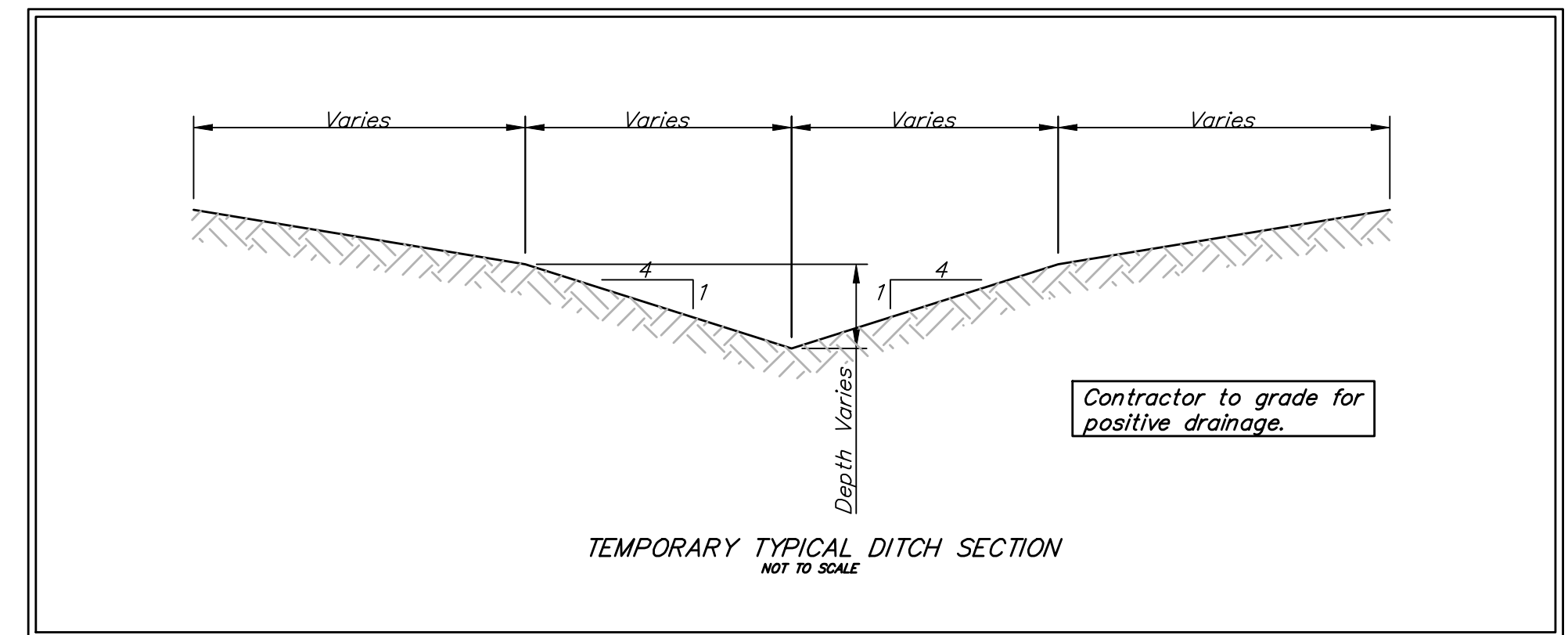
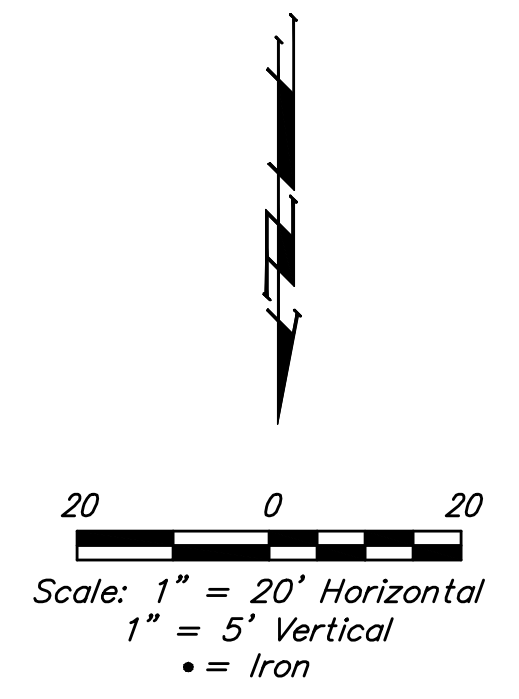
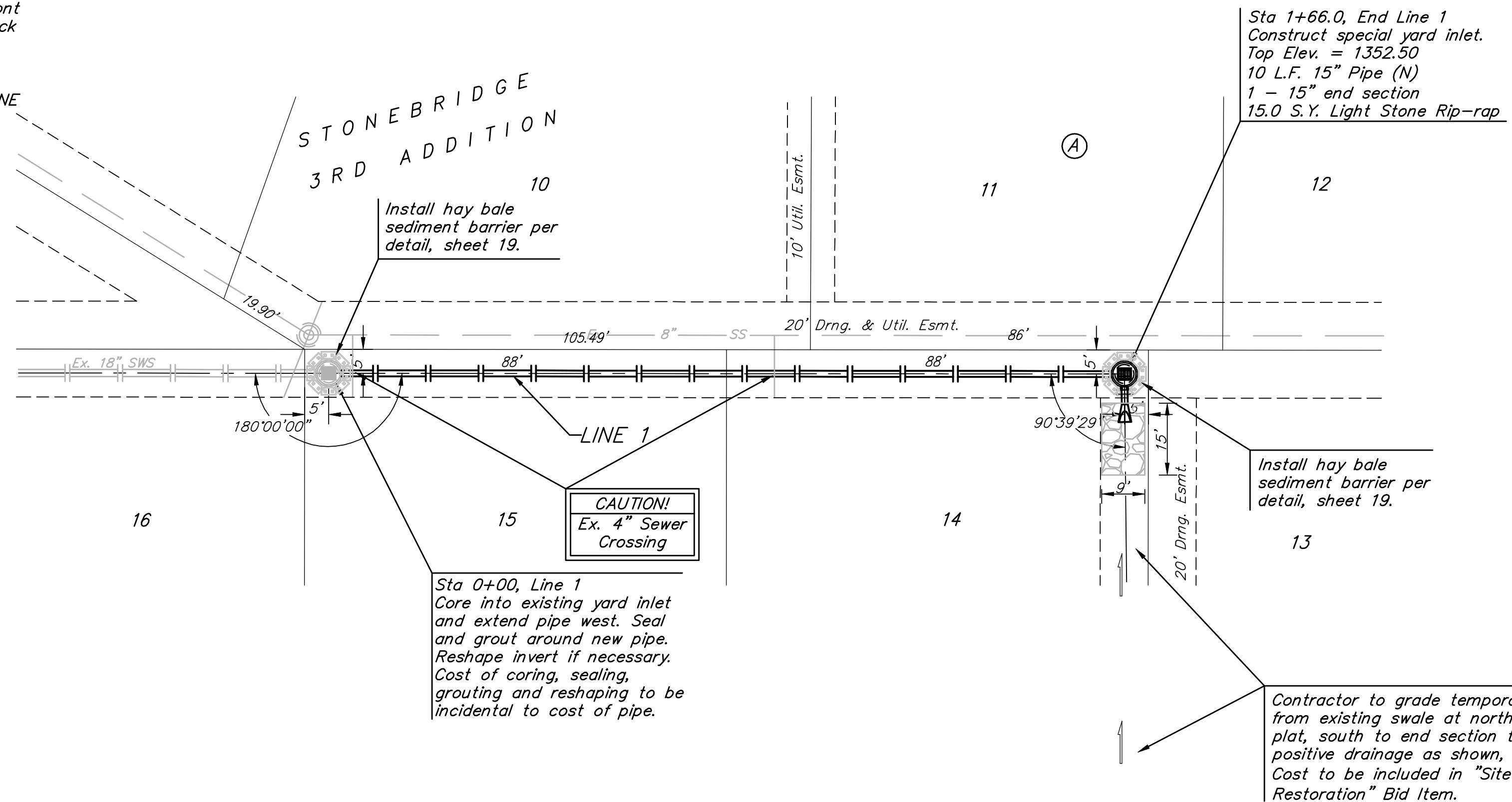


BENCHMARKS:

BM #1: "□" Cut on top of curb, east side of Ridgehurst, adjacent to common front lot corner of Lots 6 & 7, Block E, Stonebridge 2nd Addition.
ELEV. = 1348.51 NGVD29

BM #2: "□" Cut on top of curb, south side of Sundance, near end of pavement in front of Lot 6, Block 3, Savannah at Castle Rock Ranch 7th Addition.
ELEV. = 1347.33 NGVD29

BM #3: "□" Cut on top of hubguard at NE corner of RBCB 350' west of the east property line of Stonebridge 2nd Addition.
ELEV. = 1333.58 NGVD29

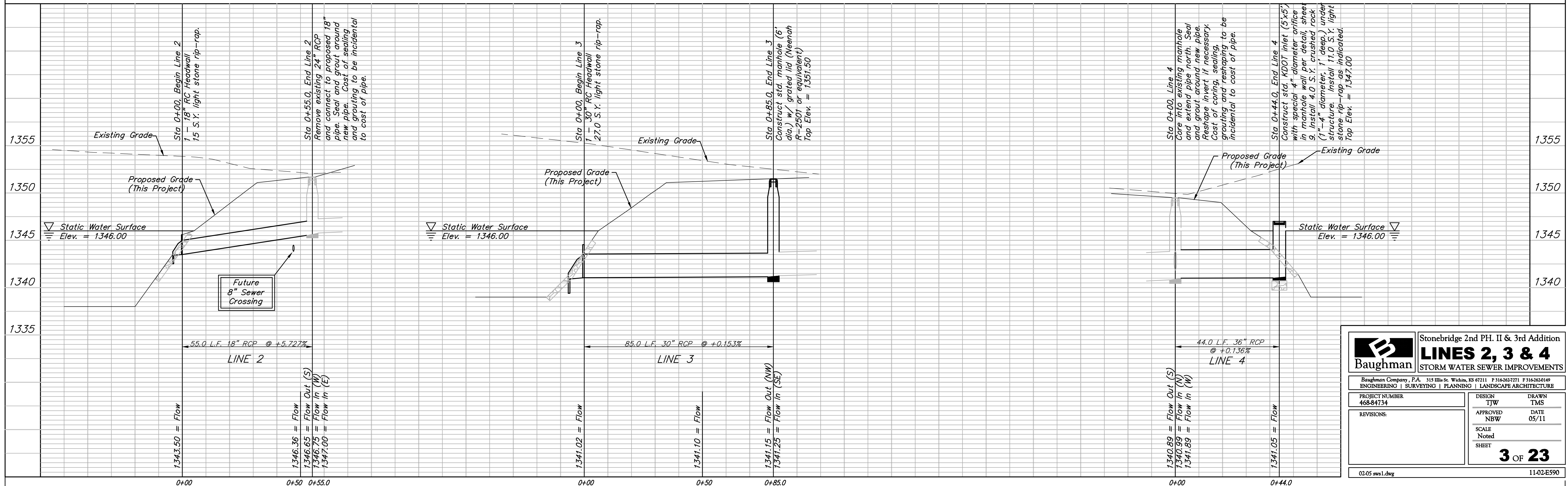
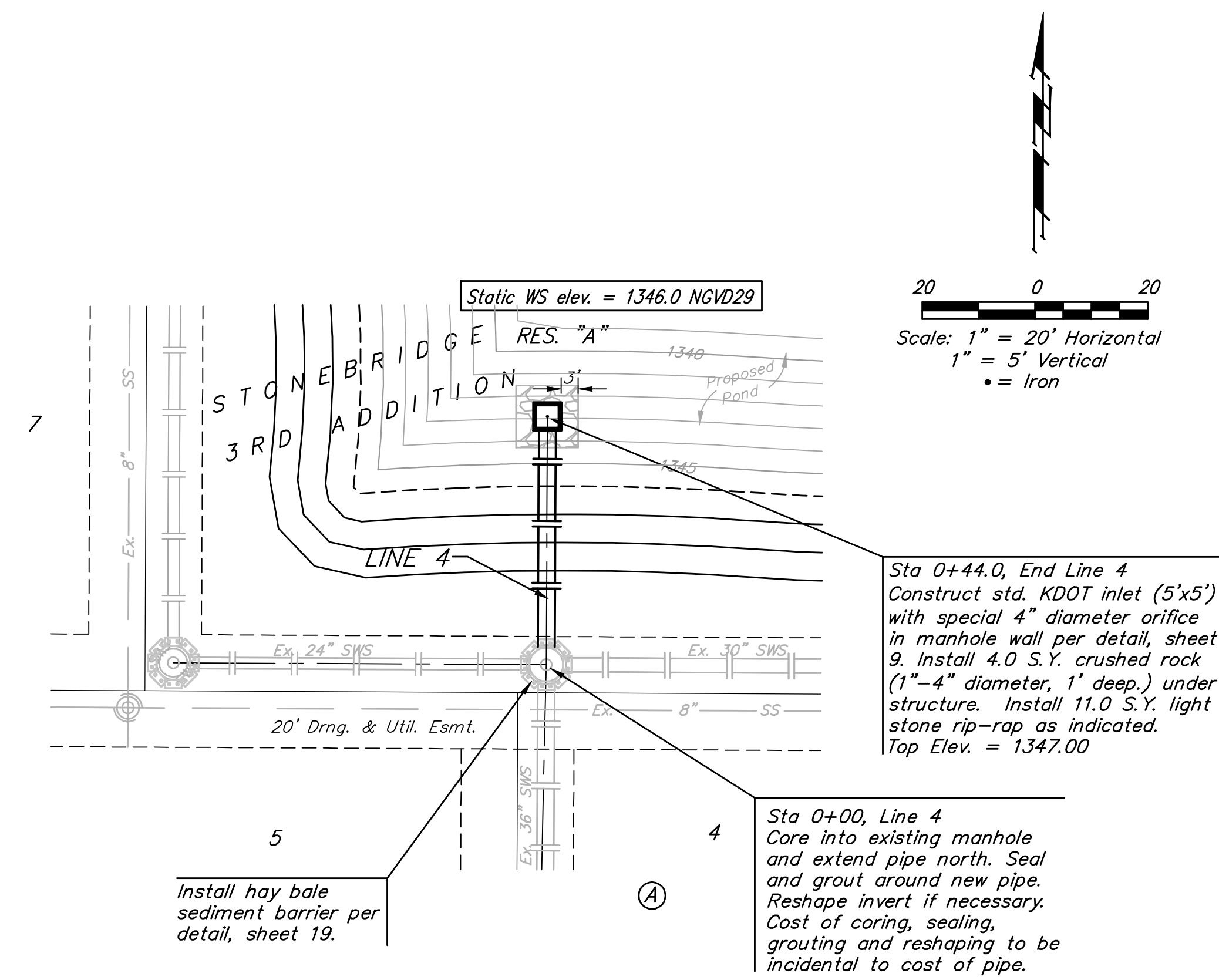
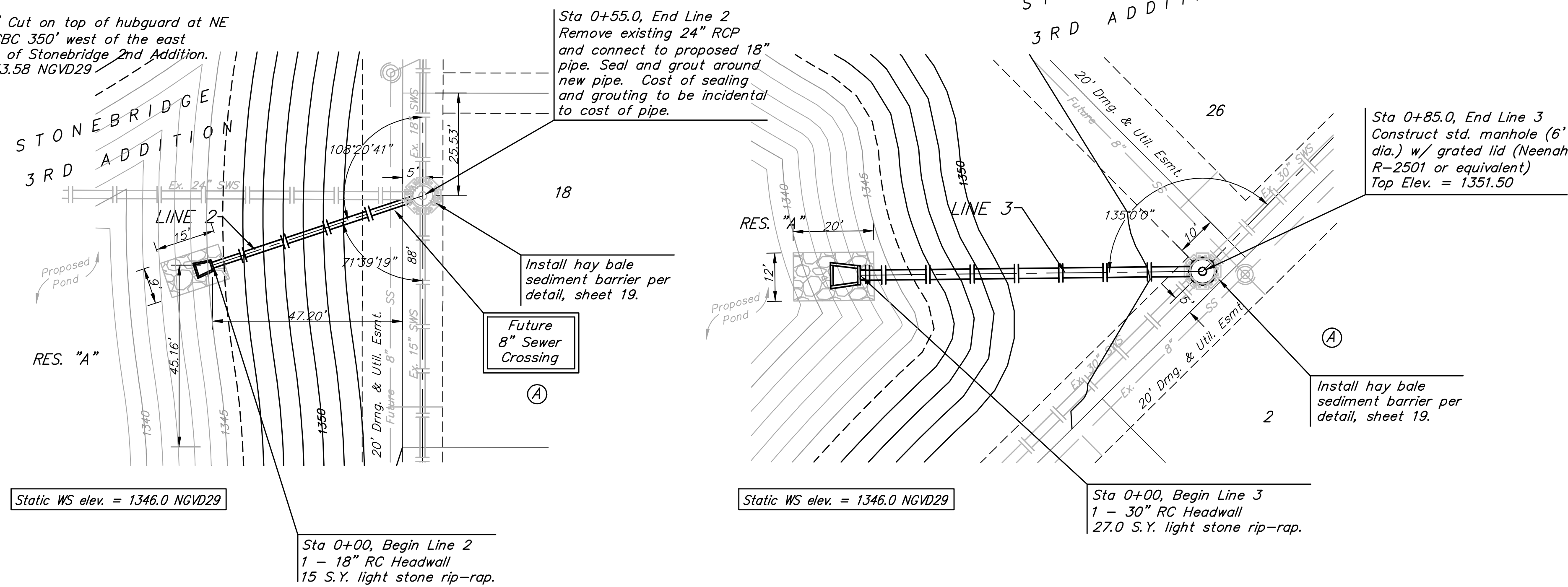


		Stonebridge 2nd PH. II & 3rd Addition LINE 1 STORM WATER SEWER IMPROVEMENTS	
Baughman Company, P.A. 315 Ellis St. Wichita, KS 67211 P 316-262-7271 F 316-262-0149 ENGINEERING SURVEYING PLANNING LANDSCAPE ARCHITECTURE			
PROJECT NUMBER 468-84734	DESIGN TJW	DRAWN TMS	DATE 05/11
REVISIONS:	APPROVED NBW	SCALE Noted	SHEET 2 OF 23
02-05 swa1.dwg		11-02-E590	

BENCHMARKS:
 BM #1: "□" Cut on top of curb, east side of Ridgehurst, adjacent to common front lot corner of Lots 6 & 7, Block E, Stonebridge 2nd Addition.
 ELEV. = 1348.51 NGVD29

BM #2: "□" Cut on top of curb, south side of Sundance, near end of pavement in front of Lot 6, Block 3, Savannah at Castle Rock Ranch 7th Addition.
 ELEV. = 1347.33 NGVD29

BM #3: "□" Cut on top of hubguard at NE corner of RCBC 350' west of the east property line of Stonebridge 2nd Addition.
 ELEV. = 1333.58 NGVD29



Baughman Stonebridge 2nd PH. II & 3rd Addition
Lines 2, 3 & 4
 STORM WATER SEWER IMPROVEMENTS

Baughman Company, P.A. 315 Ella St. Wichita, KS 67211 P 316-262-7271 F 316-262-0149
 ENGINEERING | SURVEYING | PLANNING | LANDSCAPE ARCHITECTURE

PROJECT NUMBER: 468-84734
 DESIGN: TJW
 DRAWN: TMS
 APPROVED: NBW
 DATE: 05/11
 SCALE: Noted
 SHEET: 3 OF 23

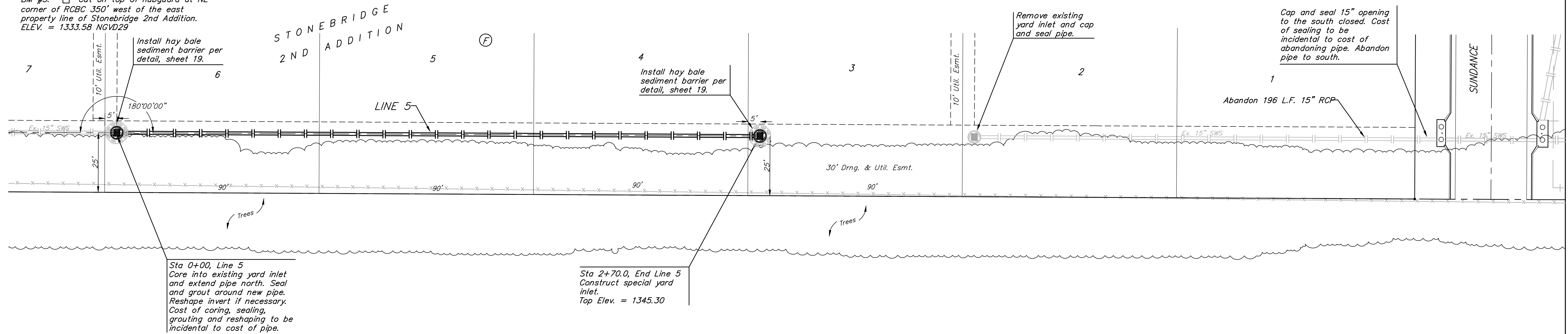
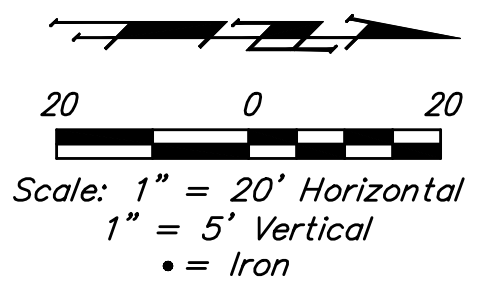
02-05 swa1.dwg 11-02-E590

BENCHMARKS:

BM #1: "□" Cut on top of curb, east side of Ridgehurst, adjacent to common front lot corner of Lots 6 & 7, Block E, Stonebridge 2nd Addition.
ELEV. = 1348.51 NGVD29

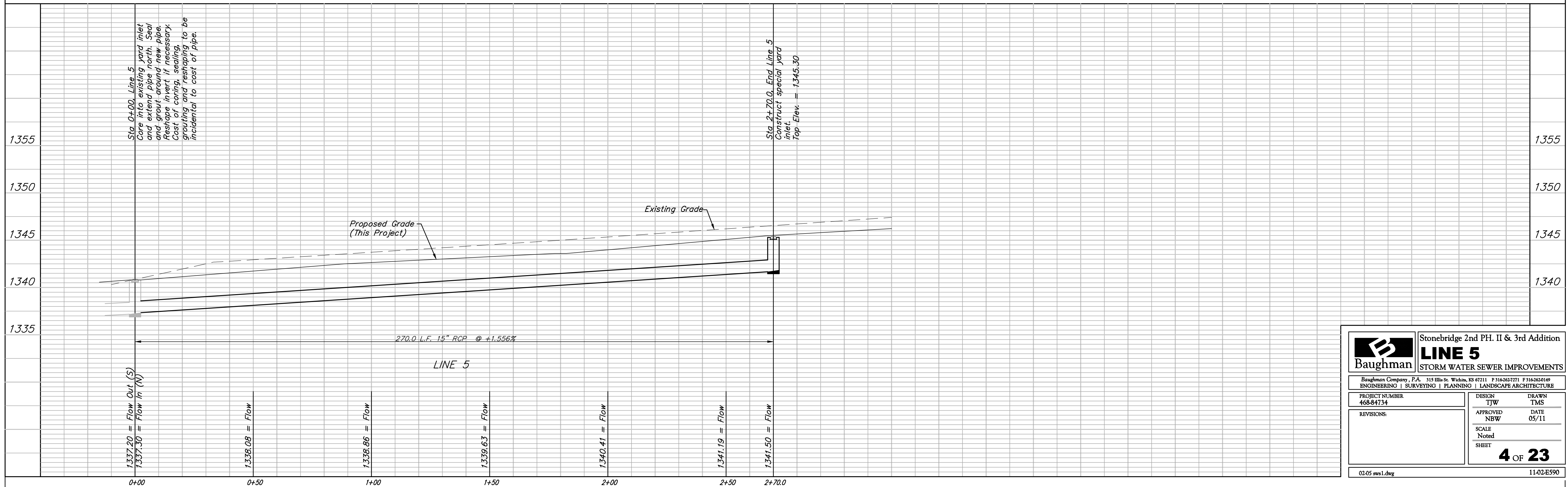
BM #2: "□" Cut on top of curb, south side of Sundance, near end of pavement in front of Lot 6, Block 3, Savannah at Castle Rock Ranch 7th Addition.
ELEV. = 1347.33 NGVD29

BM #3: "□" Cut on top of hubguard at NE corner of RCBC 350' west of the east property line of Stonebridge 2nd Addition.
ELEV. = 1333.58 NGVD29



Sta 0+00, Line 5
Core into existing yard inlet and extend pipe north. Seal and grout around new pipe. Reshape invert if necessary. Cost of coring, sealing, grouting and reshaping to be incidental to cost of pipe.

Sta 2+70.0, End Line 5
Construct special yard inlet.
Top Elev. = 1345.30



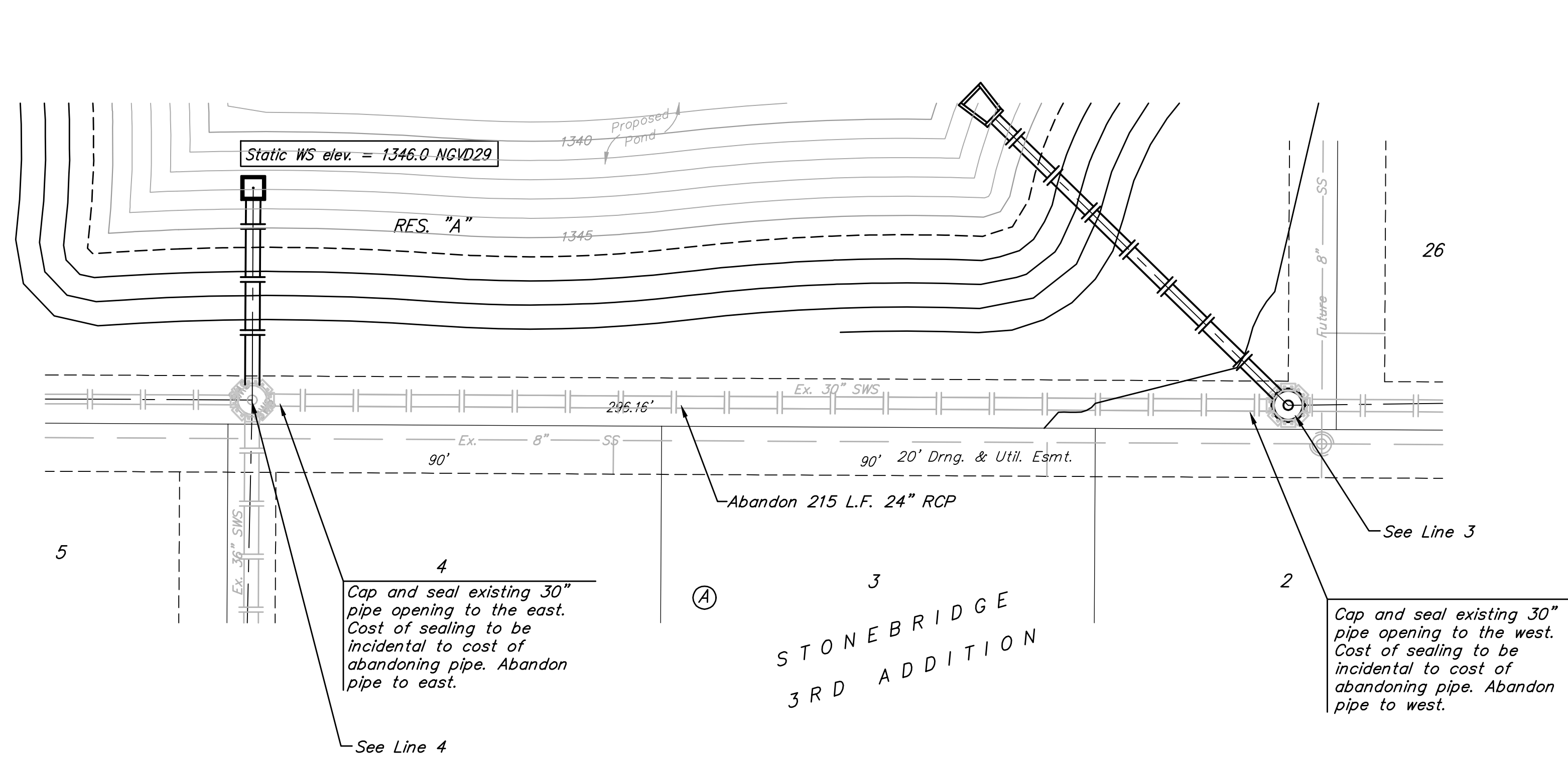
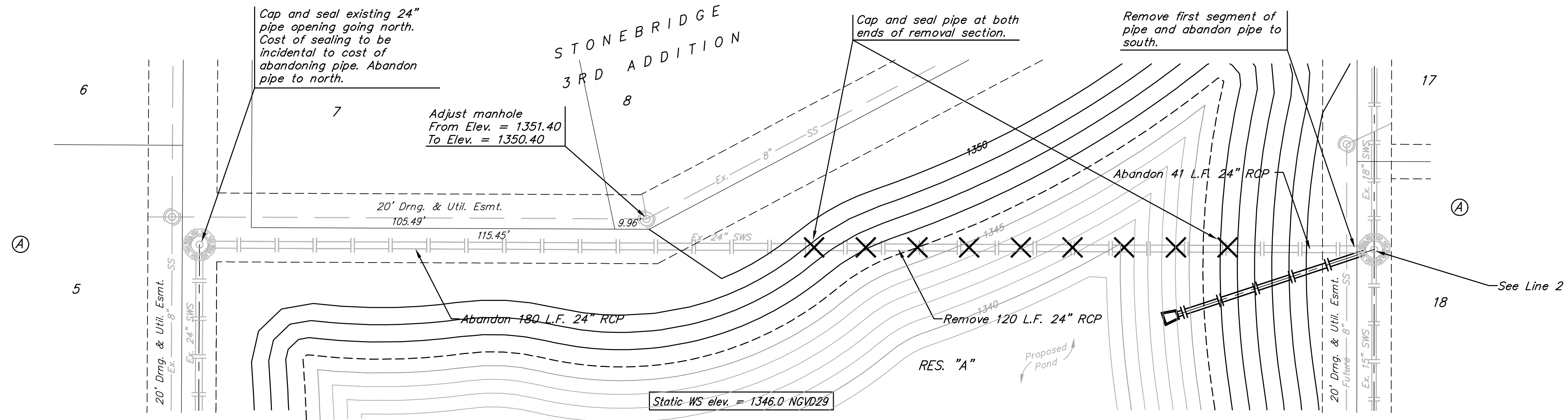
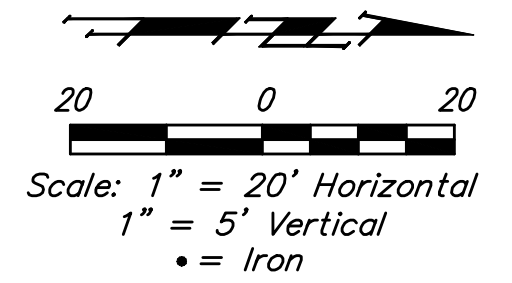
		Stonebridge 2nd PH. II & 3rd Addition	
		LINE 5	
PROJECT NUMBER 468-84734		DESIGN TJW	
APPROVED NBW		DRAWN TMS	
REVISIONS:		DATE 05/11	
		SCALE Noted	
		SHEET 4 OF 23	
02-05 swa1.dwg		11-02-E590	

BENCHMARKS:

BM #1: "□" Cut on top of curb, east side of Ridgehurst, adjacent to common front lot corner of Lots 6 & 7, Block E, Stonebridge 2nd Addition.
ELEV. = 1348.51 NGVD29

BM #2: "□" Cut on top of curb, south side of Sundance, near end of pavement in front of Lot 6, Block 3, Savannah at Castle Rock Ranch 7th Addition.
ELEV. = 1347.33 NGVD29

BM #3: "□" Cut on top of hubguard at NE corner of RCBC 350' west of the east property line of Stonebridge 2nd Addition.
ELEV. = 1333.58 NGVD29



	Stonebridge 2nd PH. II & 3rd Addition Pipe Removal STORM WATER SEWER IMPROVEMENTS	
	Baughman Company, P.A. 515 Ellis St. Wichita, KS 67211 P 316-2627271 F 316-2624149 ENGINEERING SURVEYING PLANNING LANDSCAPE ARCHITECTURE	
PROJECT NUMBER 468-84734	DESIGN TJW	DRAWN TMS
REVISIONS:	APPROVED NBW	DATE 05/11
SCALE Noted	SHEET 5 OF 23	
02-05 sww1.dwg	11-02-E590	