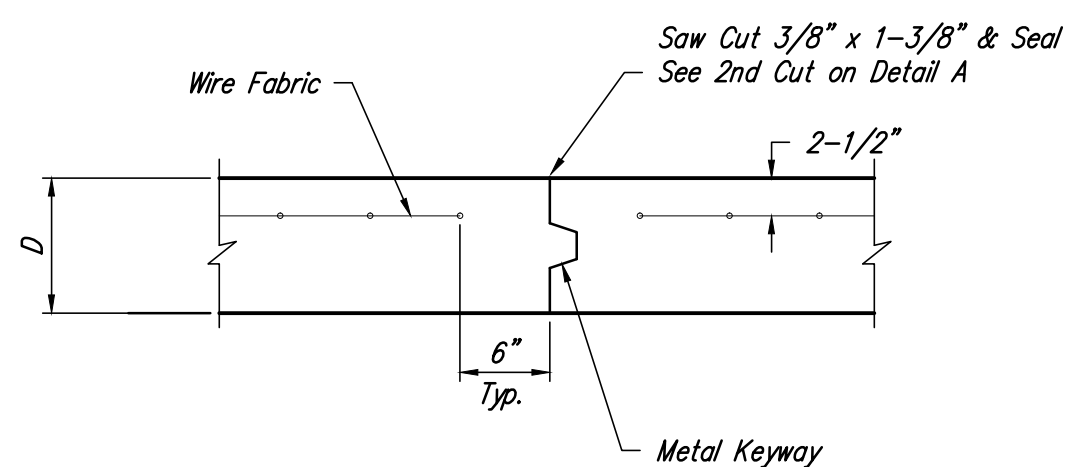
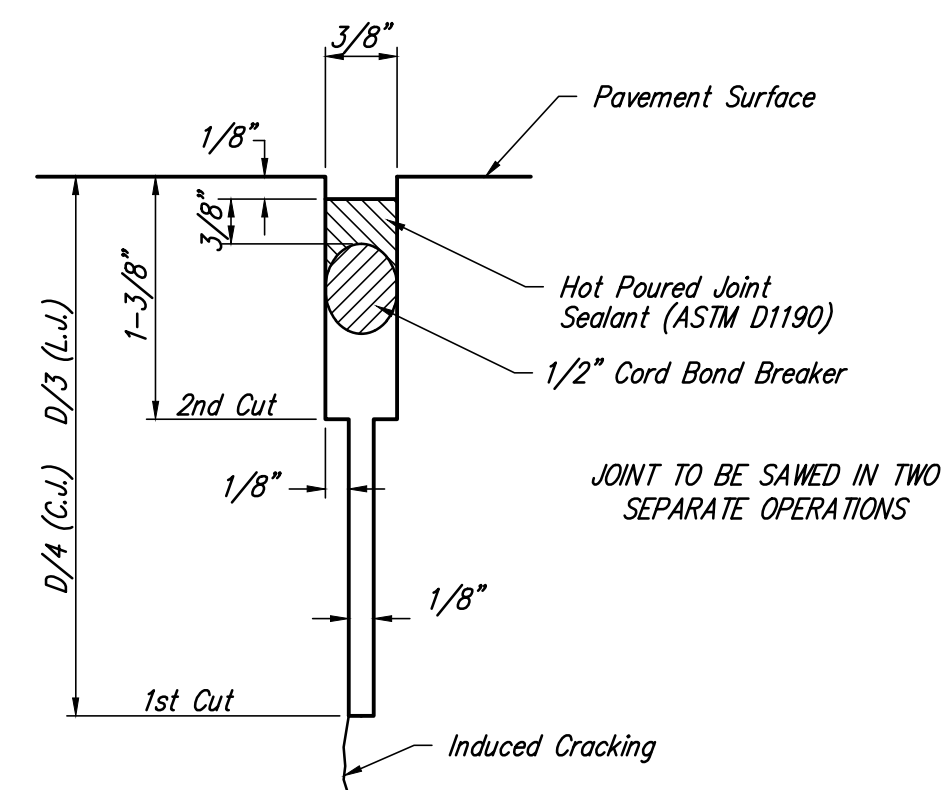


**EXPANSION JOINT**

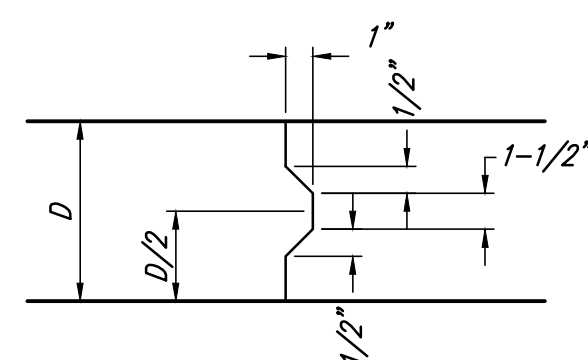
NOTE: Extra Thickness to be Subsidiary to Price of Square Yards Pavement



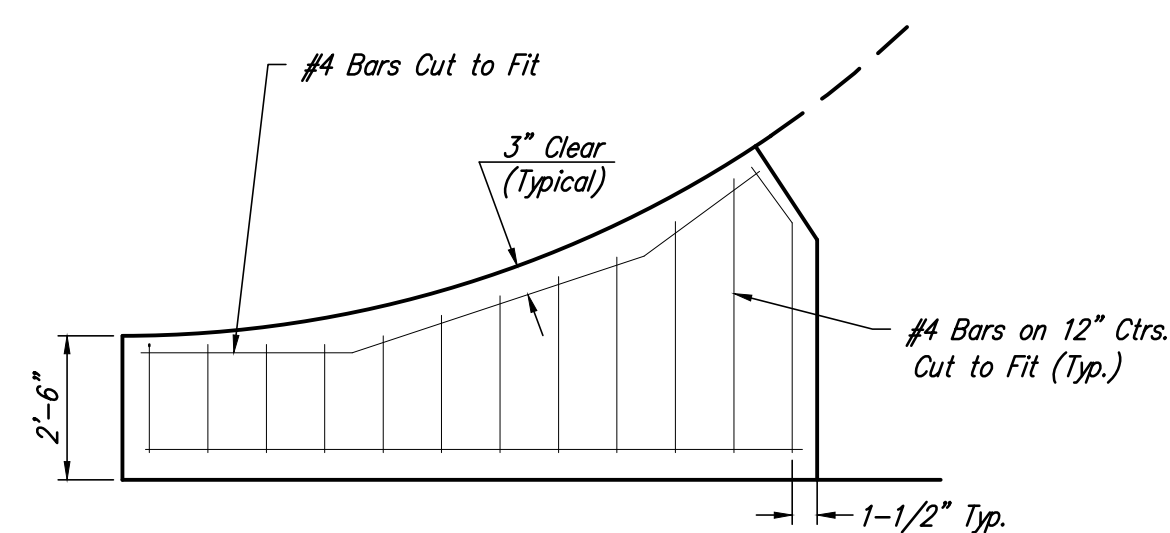
**OPTIONAL CONTRACTION JOINT**



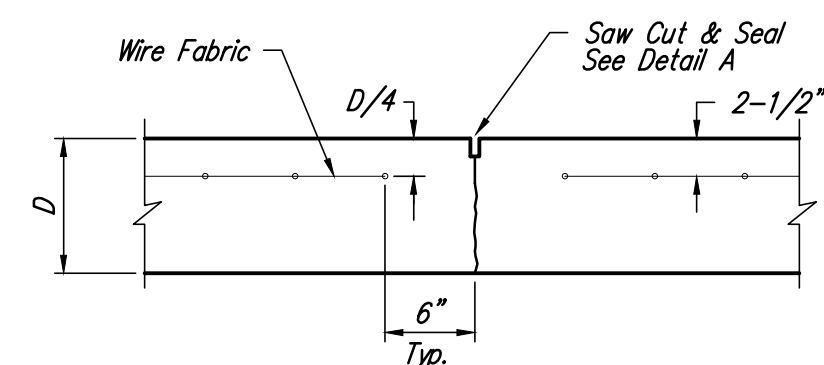
**SAW JOINT DETAIL**



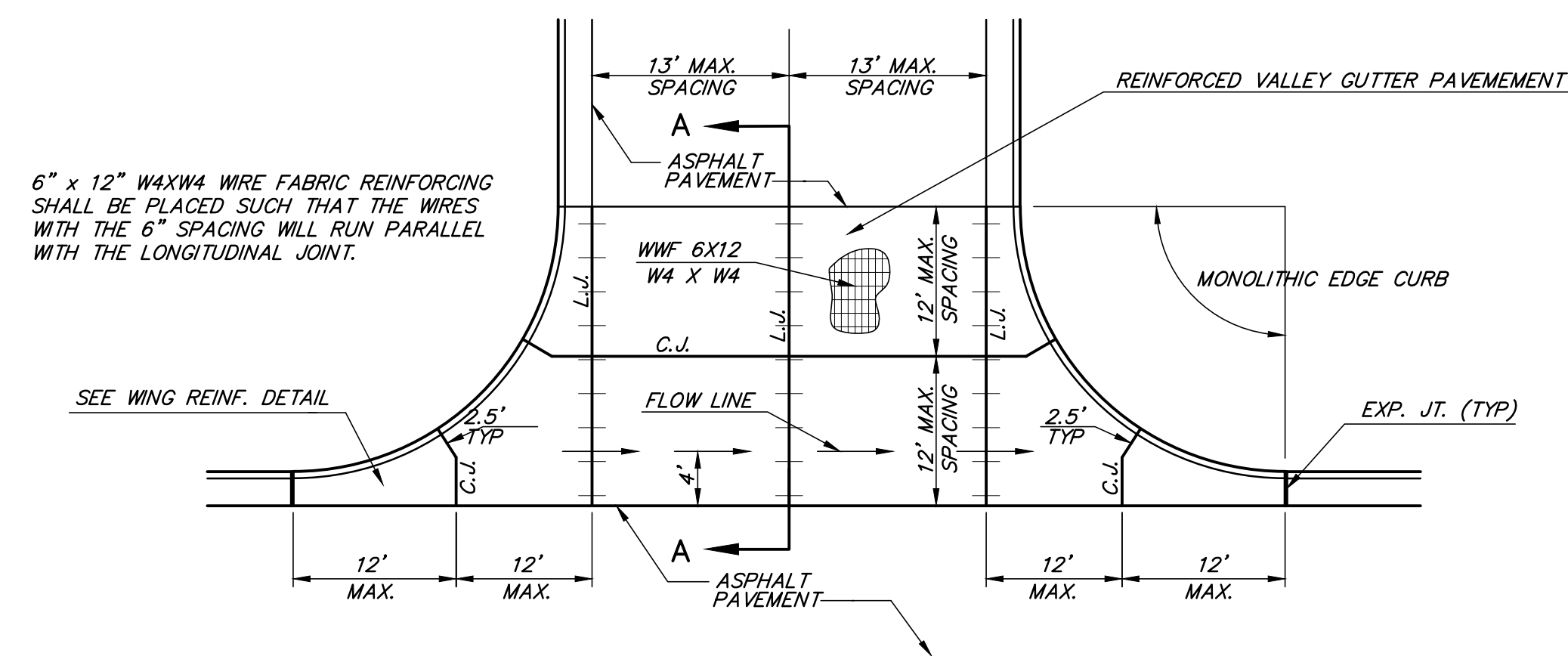
**KEYWAY DETAIL**



**WING REINFORCING DETAIL**

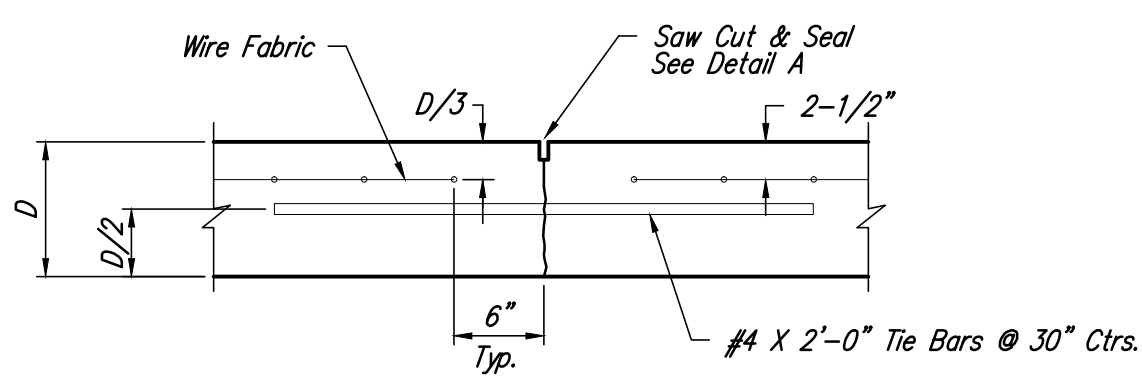


**CONTRACTION JOINT DETAIL (C.J.)**

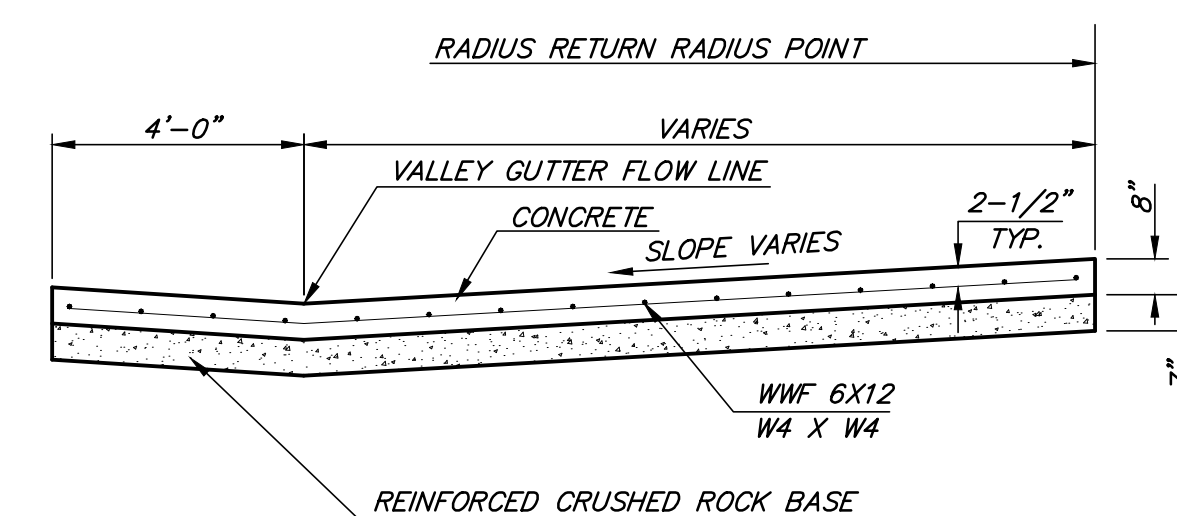


**PLAN**

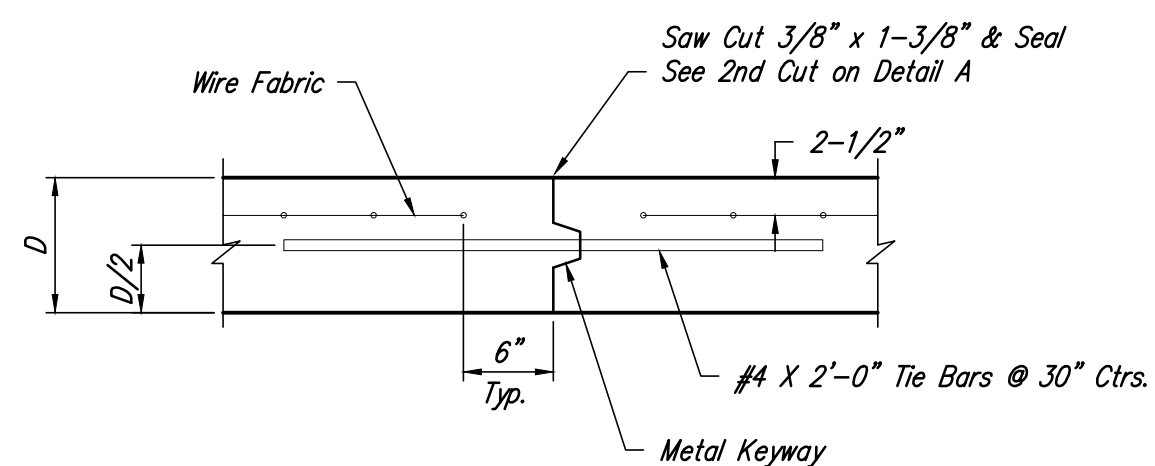
6" x 12" W4XW4 WIRE FABRIC REINFORCING SHALL BE PLACED SUCH THAT THE WIRES WITH THE 6" SPACING WILL RUN PARALLEL WITH THE LONGITUDINAL JOINT.



**LONGITUDINAL JOINT DETAIL (L.J.)**



**SECTION A-A**



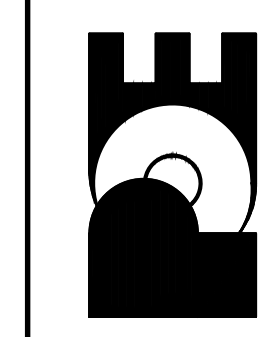
**OPTIONAL LONGITUDINAL JOINT DETAIL (L.J.)**

**REINFORCED VALLEY GUTTER DETAIL**

No.	Date	By	Approved	Revision

CENTRAL AVENUE  
ROCK ROAD TO WEBB ROAD  
VALLEY GUTTER DETAILS  
CITY OF WICHITA, KANSAS  
JAMES L. ARMOUR, P.E. - CITY ENGINEER

POE & ASSOCIATES, INC.  
CONSULTING ENGINEERS  
5940 E. Central, Suite 200 • Wichita, KS 67208-4242  
Phone 316/685-4114 • FAX 316/685-4444



ENGINEER: P. FERGUSON  
DESIGNER: P. FERGUSON/M. TUCKER  
POE Job No.: 1972  
Date: MARCH 2011