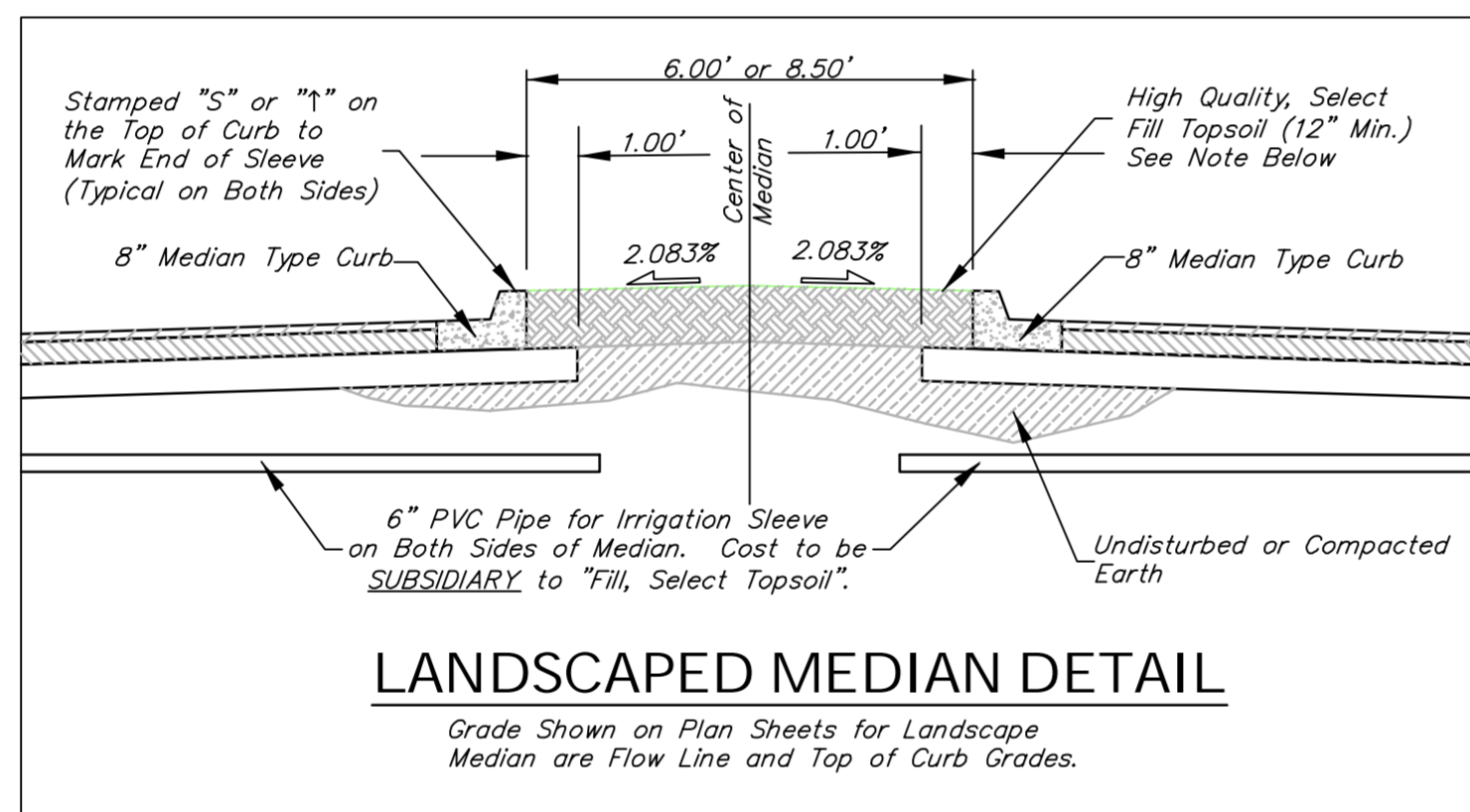
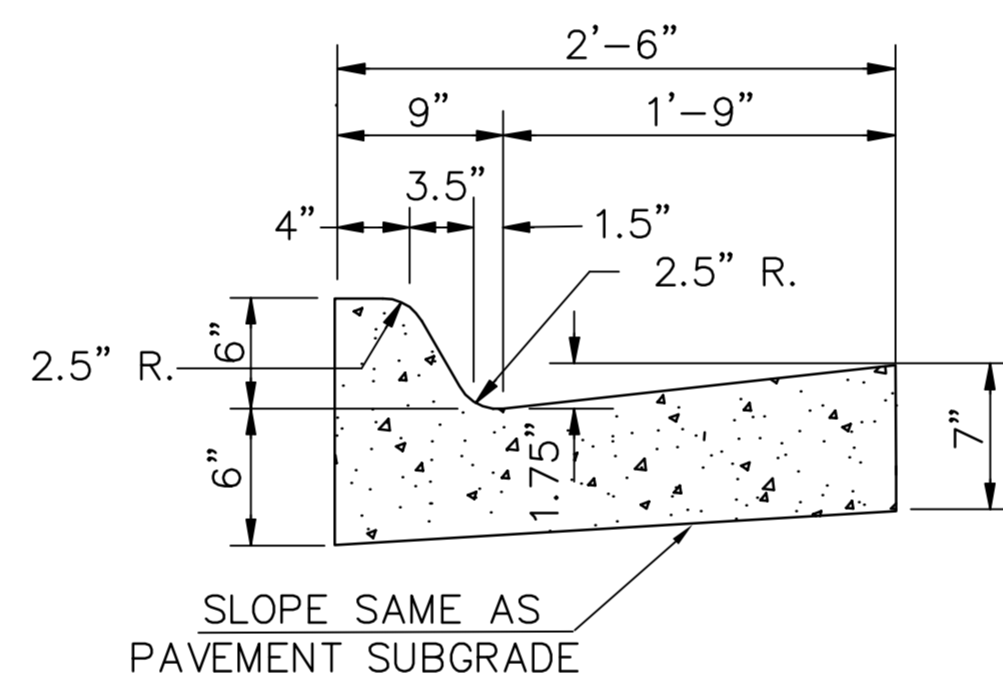


TYLER ROAD TYPICAL SECTION

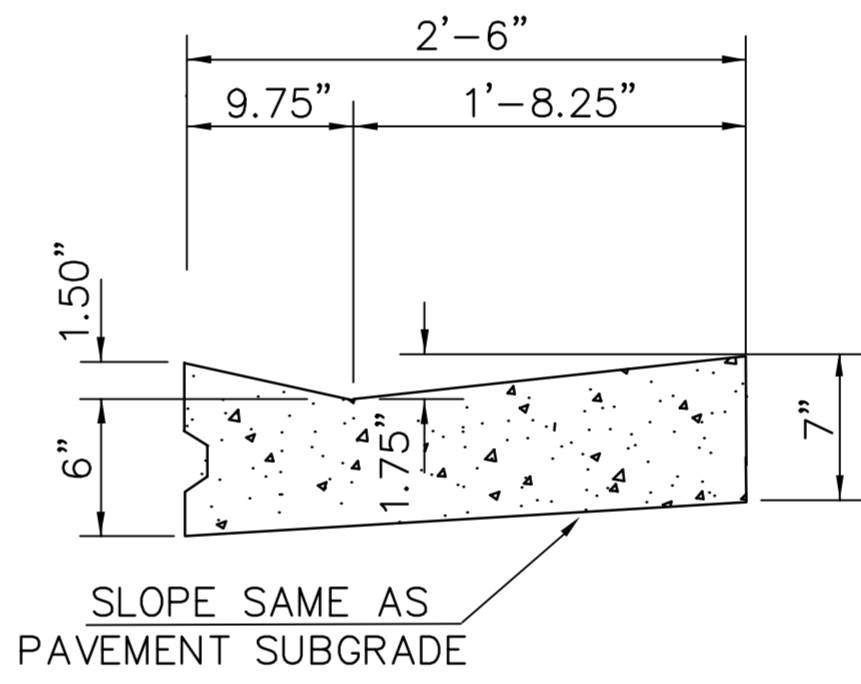
Sta. 46+87.08 to Sta. 54+45.08
 Sta. 55+66.78 to Sta. 58+13.90



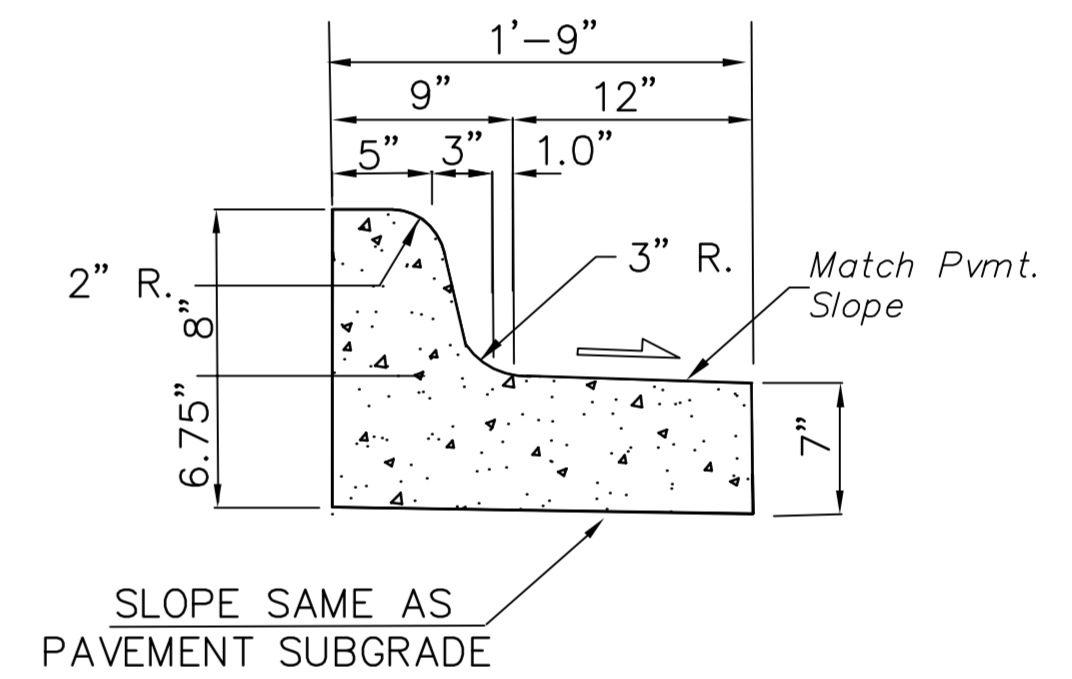
Topsoil in the Landscaped Medians shall be friable, dark, and loamy in nature, and free of gravel and/or rock material. New soil shall also be free of organic material, and shall be capable of sustaining plant growth. Contractor shall be responsible for evaluating existing soil conditions prior to bidding, as onsite soils may not be suitable for required Top Soil applications. New soil shall be inspected and approved by the Engineer or his designated representative prior to installation. Cost to be **SUBSIDIARY** to the Lump Sum Bid Item "Fill, Select Topsoil".



**COMBINED CURB & GUTTER
 TYPE I (6") (2.5' WIDTH)**



**COMBINED CURB & GUTTER
 TYPE I (1 1/2") (2.5' WIDTH)**



**COMBINED CURB & GUTTER
 TYPE 4 (8") (1.75' WIDTH)**