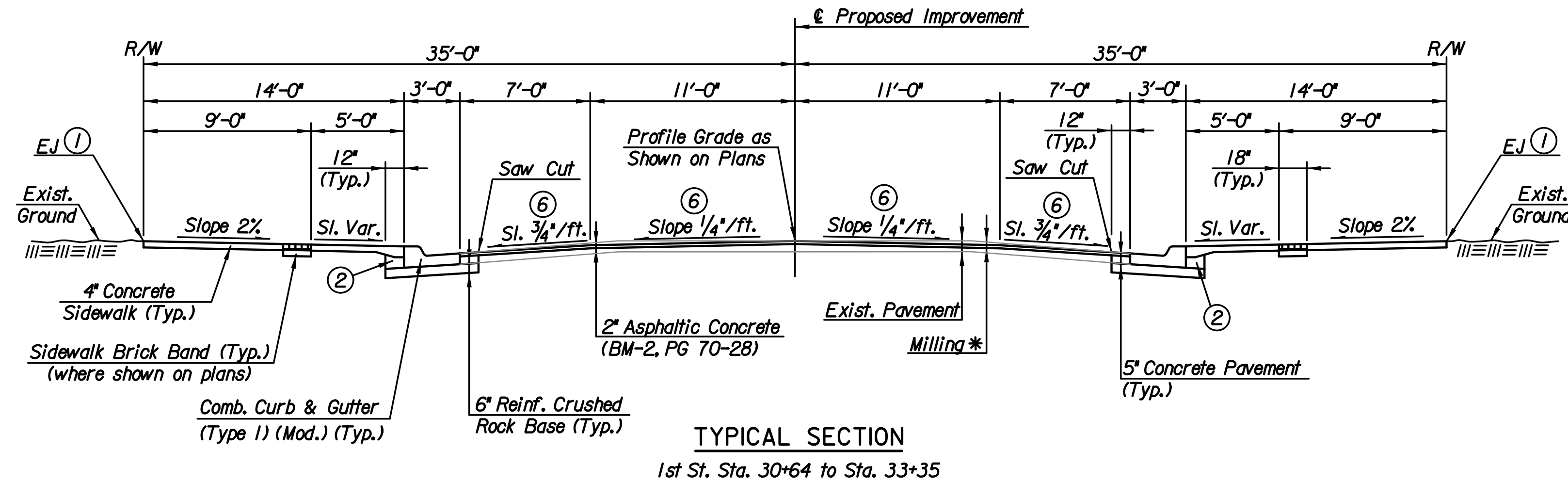
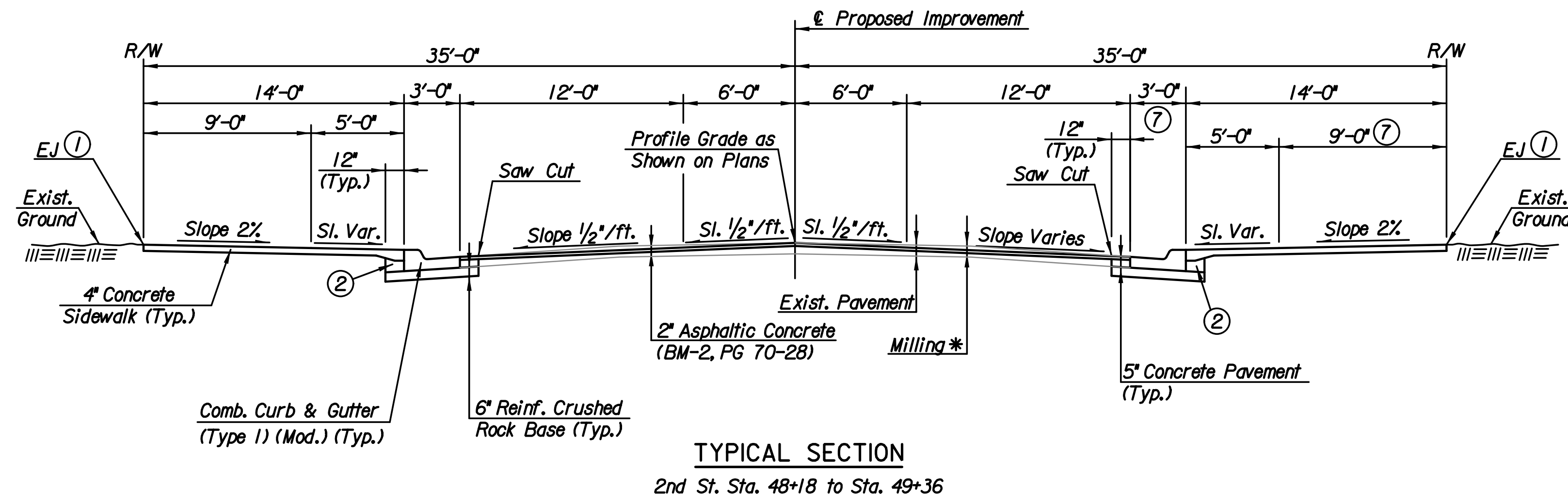


TYPICAL SECTION  
1st St. Sta. 29+36 to Sta. 30+64



TYPICAL SECTION  
1st St. Sta. 30+64 to Sta. 33+35



TYPICAL SECTION  
2nd St. Sta. 48+18 to Sta. 49+36

- ① 1/2" Expansion Joint (EJ) along back of concrete sidewalk shall be "Sonolastic Expansion Joint Filler" (Color=Grey); Sonneborn, Chemrex Inc. or approved equal. Sealant shall be multi-part pourable urethane sealant: "Pourthane"; W.R. Meadows, Inc. or approved equal. All labor and materials for expansion joint shall be Subsidiary to 4" Concrete Sidewalk.
  - ② Backfill behind curb. Quantities for this work are included in the Earthwork Summary Table.
  - ④ Slope Varies. See Intersection Details for Spot Elevations.
  - ⑤ See Intersection Details for Width Variations.
  - ⑥ Slope Varies from Sta. 32+00 to Sta. 33+35.
  - ⑦ See Plans for Limits of Curb and Sidewalk Replacement Rt.
- \* Contractor to provide Milling as required to provide a 2" AC Overlay that meets proposed finished surface elevations. Milling thickness may vary from 0" to 4".

CRUSHED ROCK GRADATION REQUIREMENTS

PERCENT OF AGGREGATE RETAINED

2-1/2"	0
3/4"	20-60
#4	50-80
#40	80-94
#200	90-98

Rock quality shall conform to the requirements specified by the KDOT 2007 Edition Standard Specification Subsection 1102 for Durability Class I.

Plotted By: svb Date: 7/13/2011 1:55:40 PM  
FILE: I:\2010\10310\TypSec\10310-TypSec-2.dgn

No.	Revision	By	Date
ST. FRANCIS STREET			
<b>TYPICAL SECTIONS</b>			
JAMES L. ARMOUR, P.E. - CITY ENGINEER CITY OF WICHITA PROJECT NO. 472-84920			
<b>Professional Engineering Consultants, P.A.</b> 303 S. TOPEKA - WICHITA, KANSAS 67202 316-262-2691 • FAX 316-262-3003			
Designed by	JPS	Job No.	10310
Drawn by	SVB	Date	July, 2011
			Sh. R3 of 101