

Comb. Curb & Gutter  
(Type 1) (Mod.)

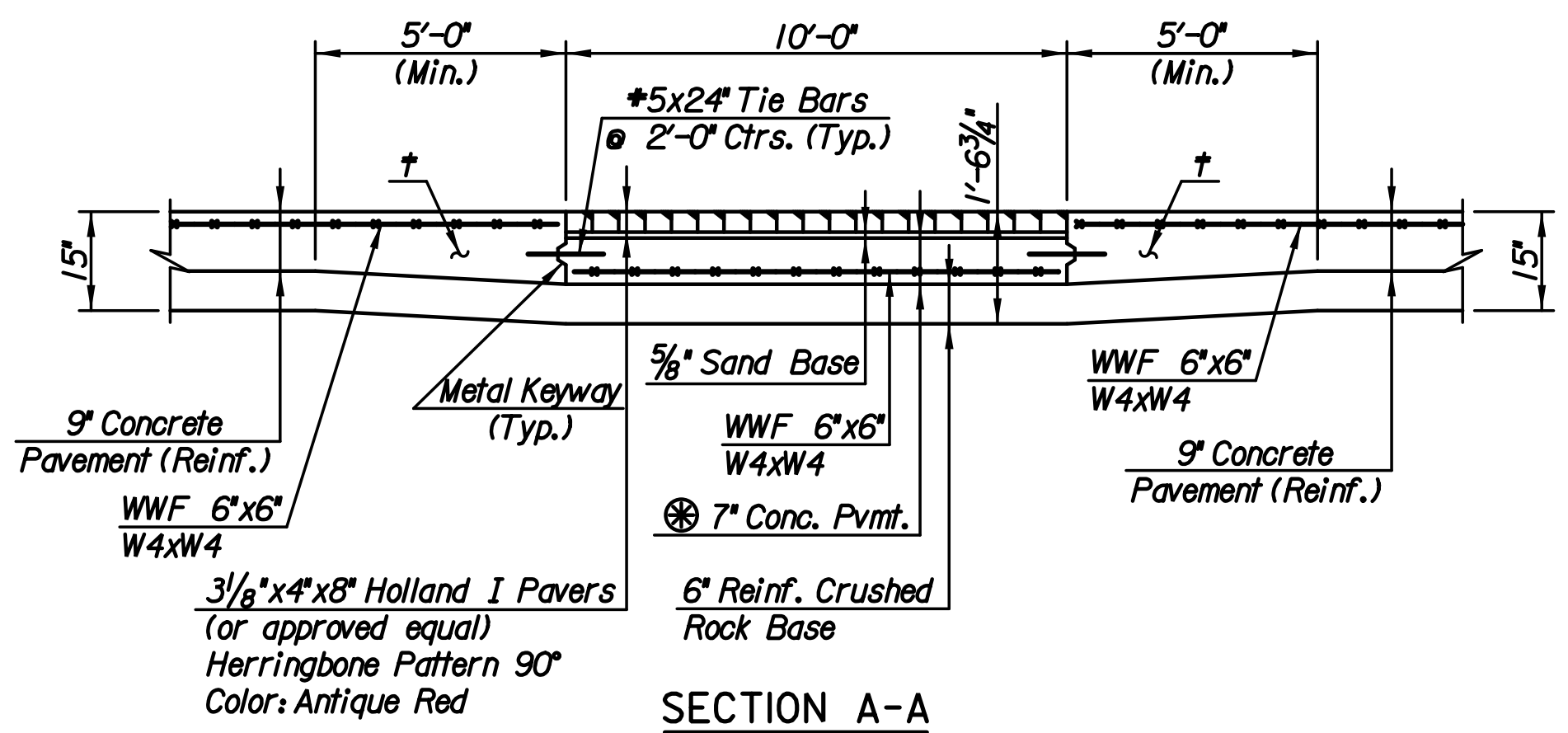
Milling &  
2" Overlay

Comb. Curb & Gutter  
(Type 1) (Mod.)

Milling &  
2" Overlay

Comb. Curb & Gutter  
(Type 1) (Mod.)

Comb. Curb & Gutter  
(Type 1) (Mod.)



SECTION A-A

- ⊗ 7" Concrete Pavement to be paid as "Concrete Pavement 9" (Reinf.)"
- † Additional Pavement Thickness shall be Subsidiary to "Concrete Pavement 9" (Reinf.)"

**LEGEND**

-----	Construction Joint (C.J.)
-----	Longitudinal Joint (L.J.)
∅	Omit Dowels
▬	Brick Pavers
+	Wheelchair Ramp
*	Match Existing

Note: See Sh. No. R16 for Joint Details.

ST. FRANCIS STREET	
<b>INTERSECTION DETAIL</b>	
<b>ST. FRANCIS AND 1ST ST.</b>	
JAMES L. ARMOUR, P.E.—CITY ENGINEER CITY OF WICHITA PROJECT NO. 472-84920	
<b>Professional Engineering Consultants, P.A.</b> 303 S. TOPEKA • WICHITA, KANSAS 67202 316-262-2691 • FAX 316-262-3003	
Designed by JPS	Job No. 10310
Drawn by SVB	Date July, 2011

Plotted By: svb Date: 7/14/2011 12:29:37 AM  
 FILE: I:\2010\Intersections\10310-IntDtl\1st St.dgn