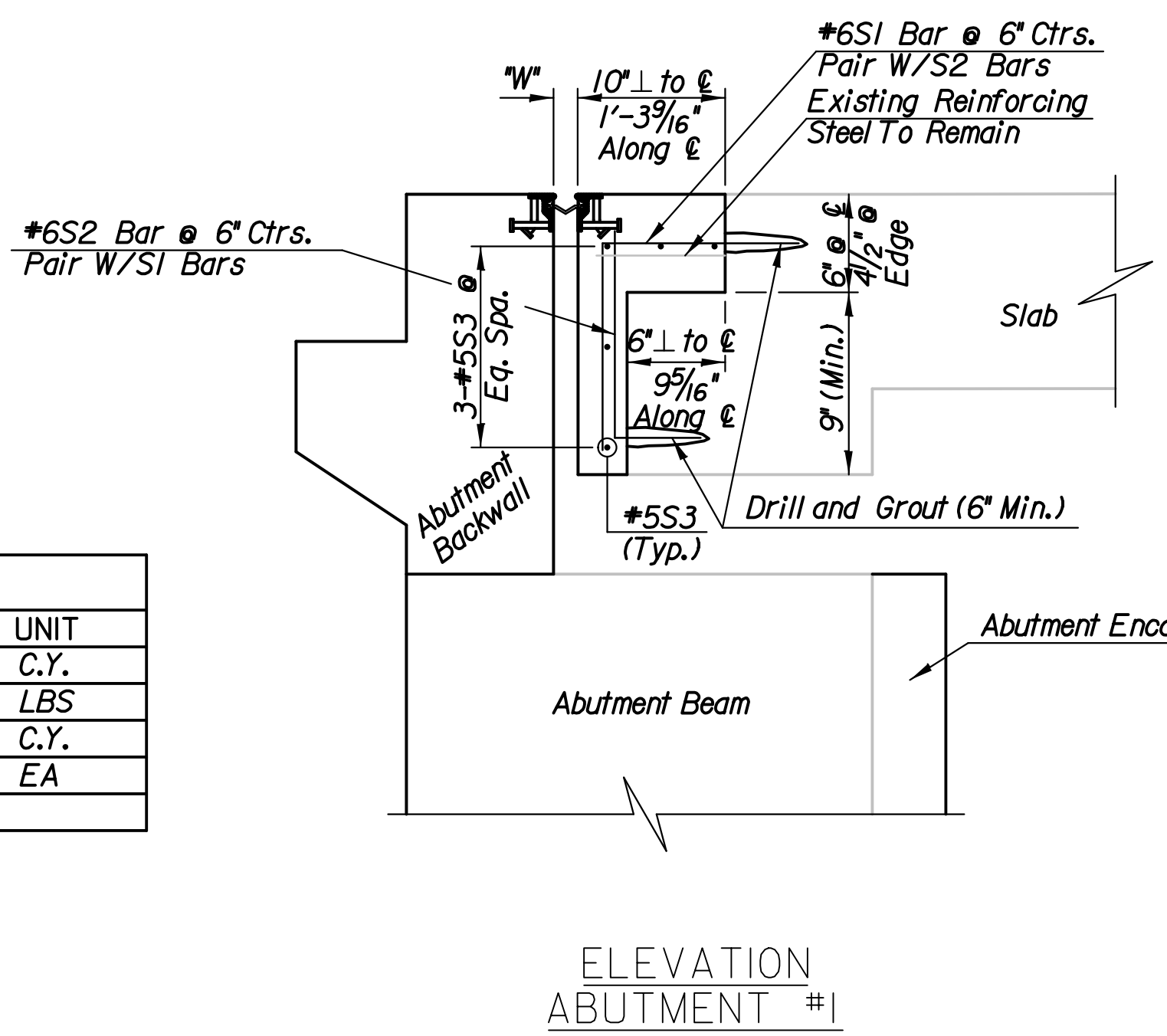


BAR LIST			
MARK	SIZE	NUMBER	LENGTH
S1	#6	81	1'-10"
S2	#6	81	1'-4"
S3	#5	5	41'-5"
LI	#5	10	3'-8"

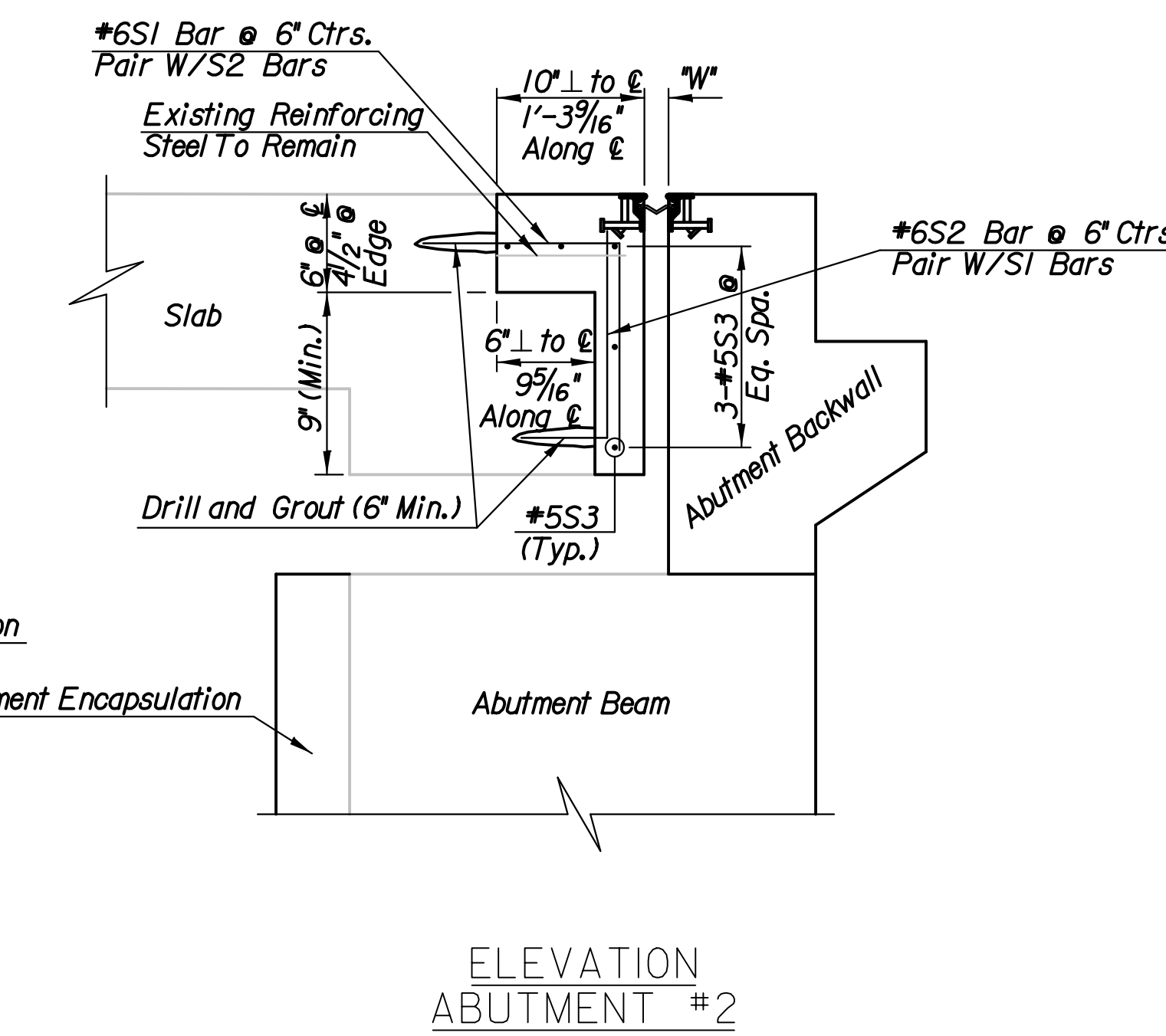
● Lap to #5S3

* SUMMARY OF QUANTITIES		
ITEM	QUANTITY	UNIT
Silica Fume Concrete	2.5	C.Y.
Reinforcing Steel (Grade 60)	640	LBS
Concrete (Grade 4.0) (AE)	2.0	C.Y.
Drill and Grout	162	EA

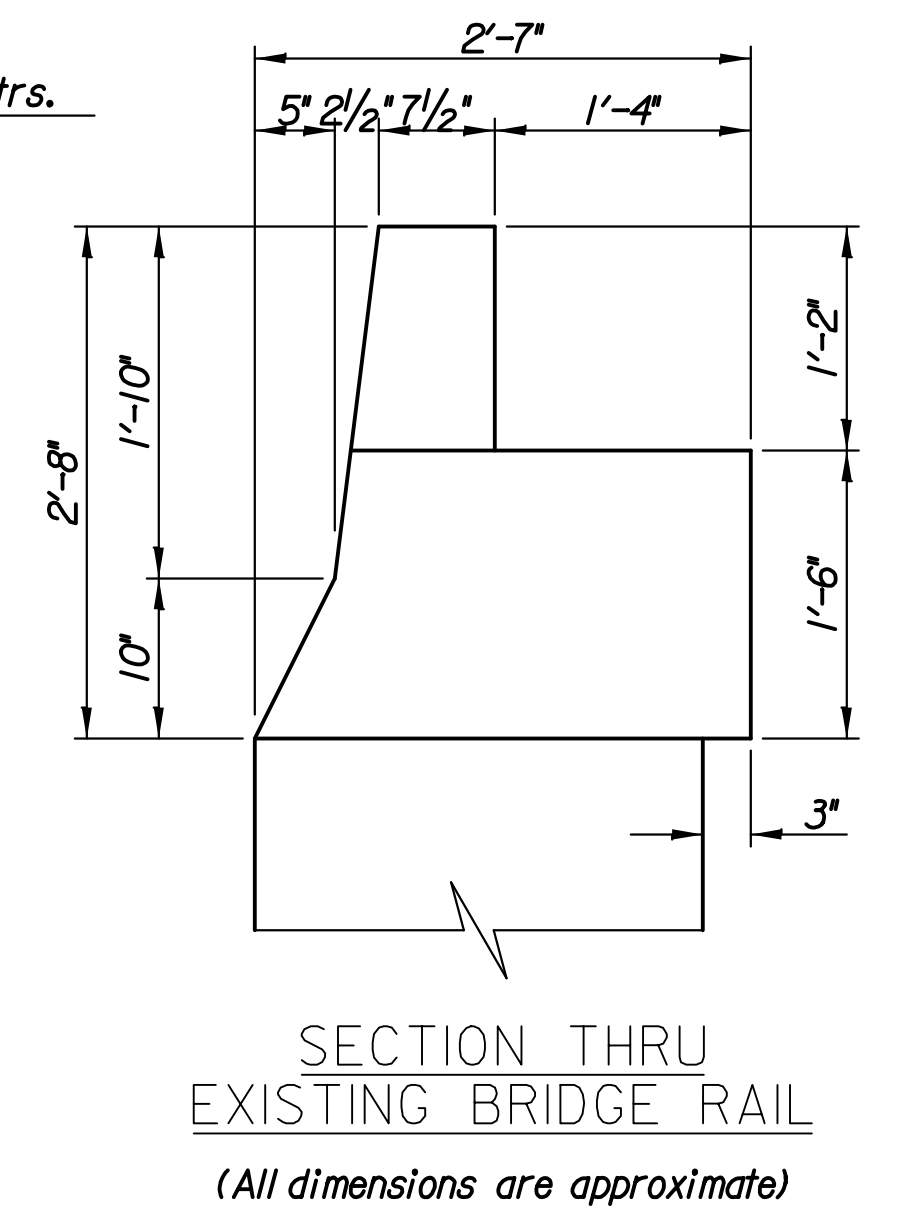
* Quantities shown are for one end only (2 Required).
 ** Deck Repair
 *** Bridge Rail



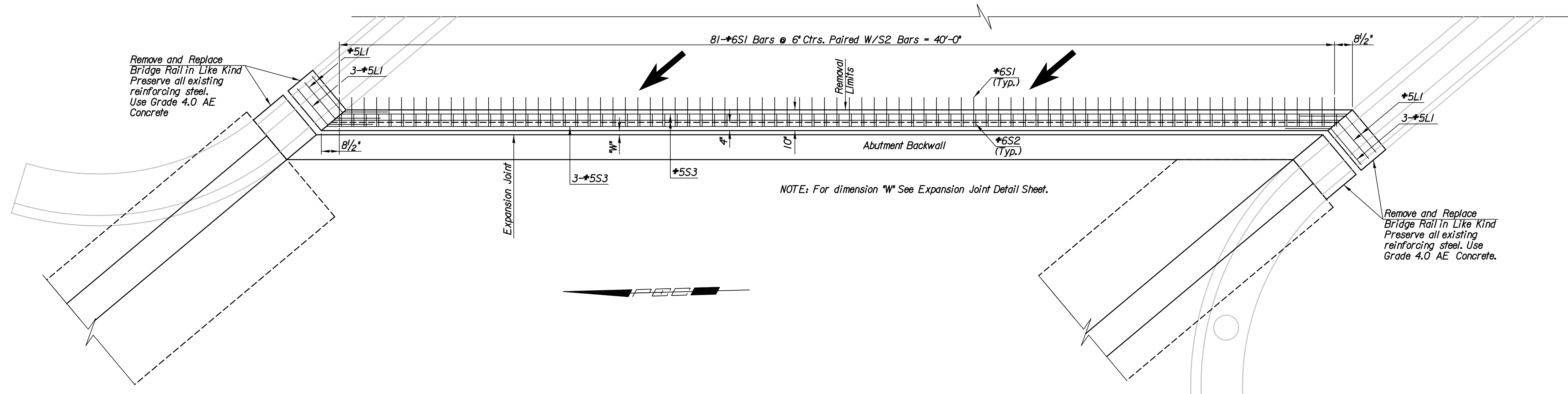
ELEVATION ABUTMENT #1



ELEVATION ABUTMENT #2



SECTION THRU EXISTING BRIDGE RAIL
 (All dimensions are approximate)



PLAN

Abutment #1 Shown
 Abutment #2 Similar by Rotation

Plotted By: op Date: 7/22/2011 10:43:28 AM
 FILE: I:\2010\10313\Bridges\10313-Joint Replacement.dgn

No.	Revision	By	Date
SOUTHEAST BLVD AT WICHITA FLOOD CONTROL CANAL			
DECK REPAIR DETAILS			
JAMES L. ARMOUR, P.E. - CITY ENGINEER CITY OF WICHITA PROJECT NO. 472-84923			
Professional Engineering Consultants, P.A. 303 S. TOPEKA • WICHITA, KANSAS 67202 316-262-2691 • FAX 316-262-3003			
Designed by	RJM	Job No.	10313
Drawn by	RJM	Date	June, 2011
			Sht. 17 of 42