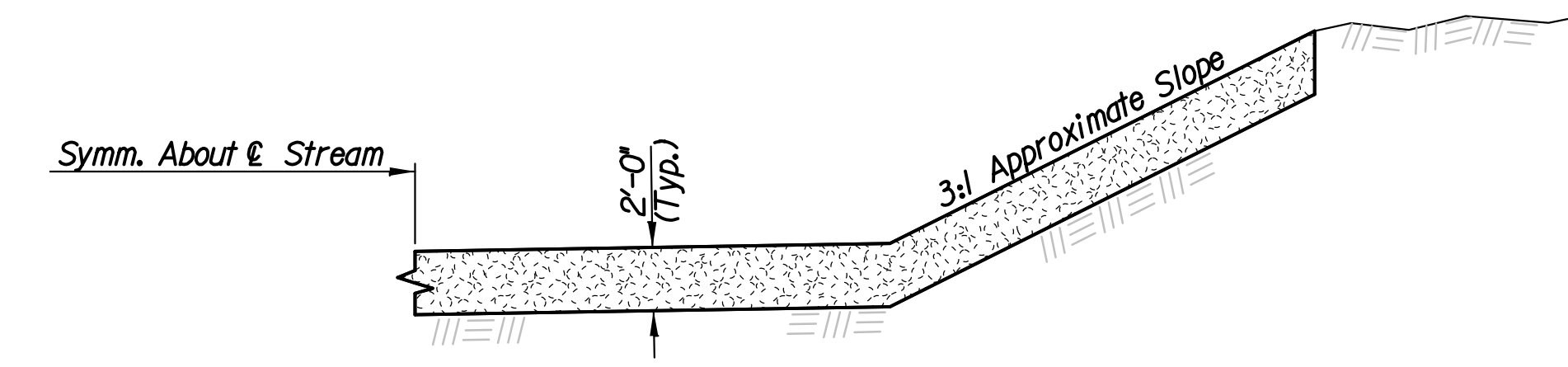


EXISTING WATERWAY OPENING
240 Sq. Ft. Opening

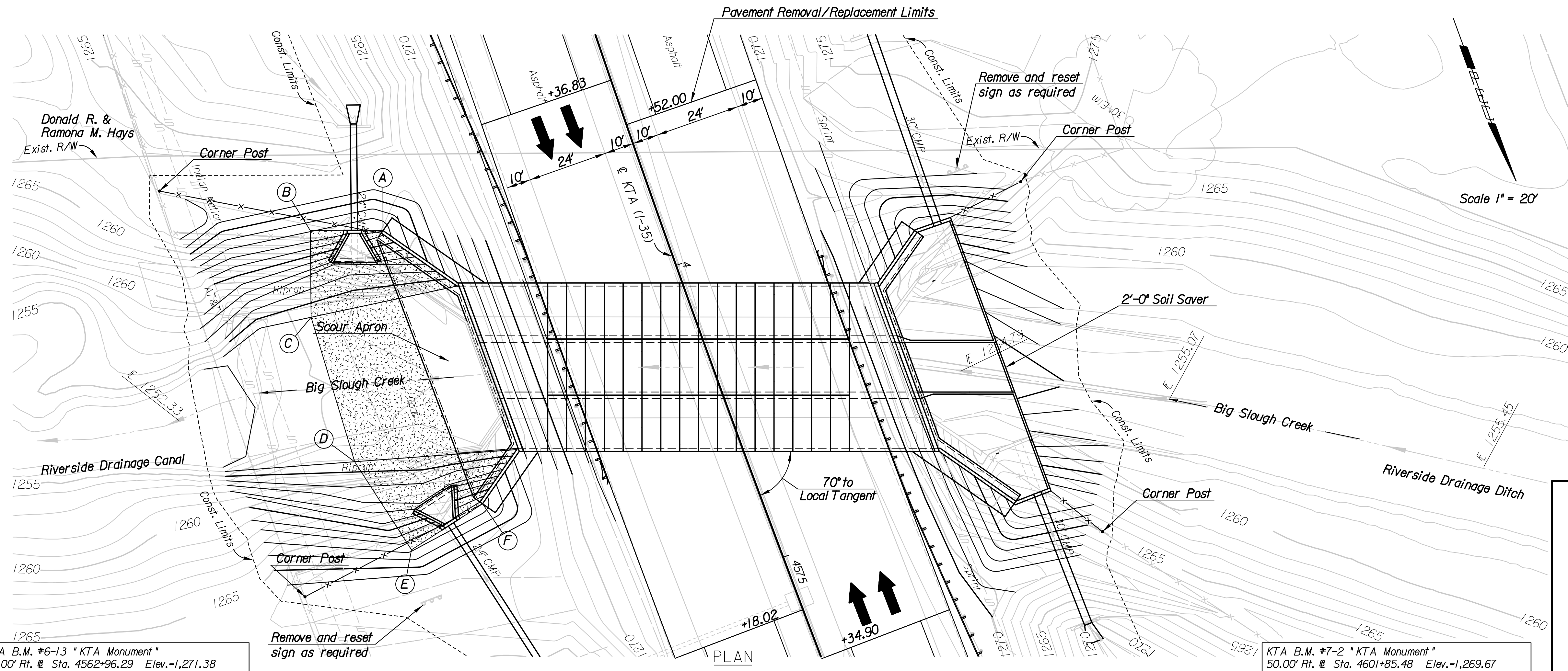
† = Top of Soil Saver

ELEVATION
Along ϵ Channel
3-16'x12'x135'-0" R.F.B.
20° Skew Rt. to local tangent
w/2'-0" Soil Saver and Scour Apron



TYPICAL RIPRAP SECTION

RIPRAP POINT INFORMATION			
POINT	ELEV.	STA.	OFFSET
A	1257.00	4573+58.37	85.1' Rt.
B	1258.00	4573+50.84	107.2' Rt.
C	1254.00	4573+76.71	116.2' Rt.
D	1254.00	4574+24.23	118.6' Rt.
E	1258.00	4574+56.46	111.2' Rt.
F	1257.00	4574+50.55	84.6' Rt.



Riprap, Light Stone (24")

DRAINAGE DATA

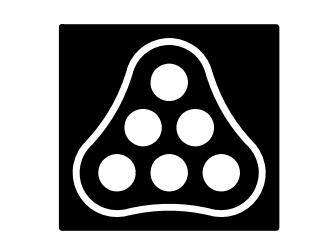
Drainage Area7.9 Sq. Mi.
Design Frequency50 Yr.
Design Discharge (Q_{50})3430 CFS
Outlet Velocity Q_{50} 6.8 FPS
Outlet Velocity Q_{100} 7.9 FPS
Design High Water Elevation1265.5 Ft.

Overtopping Elevation (50' South ϵ) --1271.4 Ft.
Overtopping Discharge8000 CFS
Overtopping Frequency> 500 Yr.
Historic Highwater Elevation1268.8 Ft.

Normal Water Surface Elev. (Q_{50})1264.8 Ft.
Discharge at (Q_{100})4227.0 CFS
Highwater Elevation at (Q_{100})1266.4 Ft.
FEMA 100 Yr. Floodplain Elev.1266.4 Ft.
FEMA 100 Yr. Floodway Elev.1266.7 Ft.

KTA B.M. #6-13 *KTA Monument*
50.00' Rt. @ Sta. 4562+96.29 Elev.=1,271.38

KTA B.M. #7-2 *KTA Monument*
50.00' Rt. @ Sta. 4601+85.48 Elev.=1,269.67



Revision		By	Date
KTA AT BIG SLOUGH			
CONSTRUCTION LAYOUT			
JAMES L. ARMOUR, P.E.—CITY ENGINEER CITY OF WICHITA PROJECT NO. 468-84636			
Professional Engineering Consultants, P.A. 303 S. TOPEKA • WICHITA, KANSAS 67202 316-262-2691 • FAX 316-262-3003			
Designed by	C.W.P.J.	Job No.	10291
Drawn by	C.P.	Date	August, 2011

Plotted By: cp Date: 7/26/2011 11:45:35 AM
 FILE: I:\2010\029\029-Construction-Layout-CWP.dgn