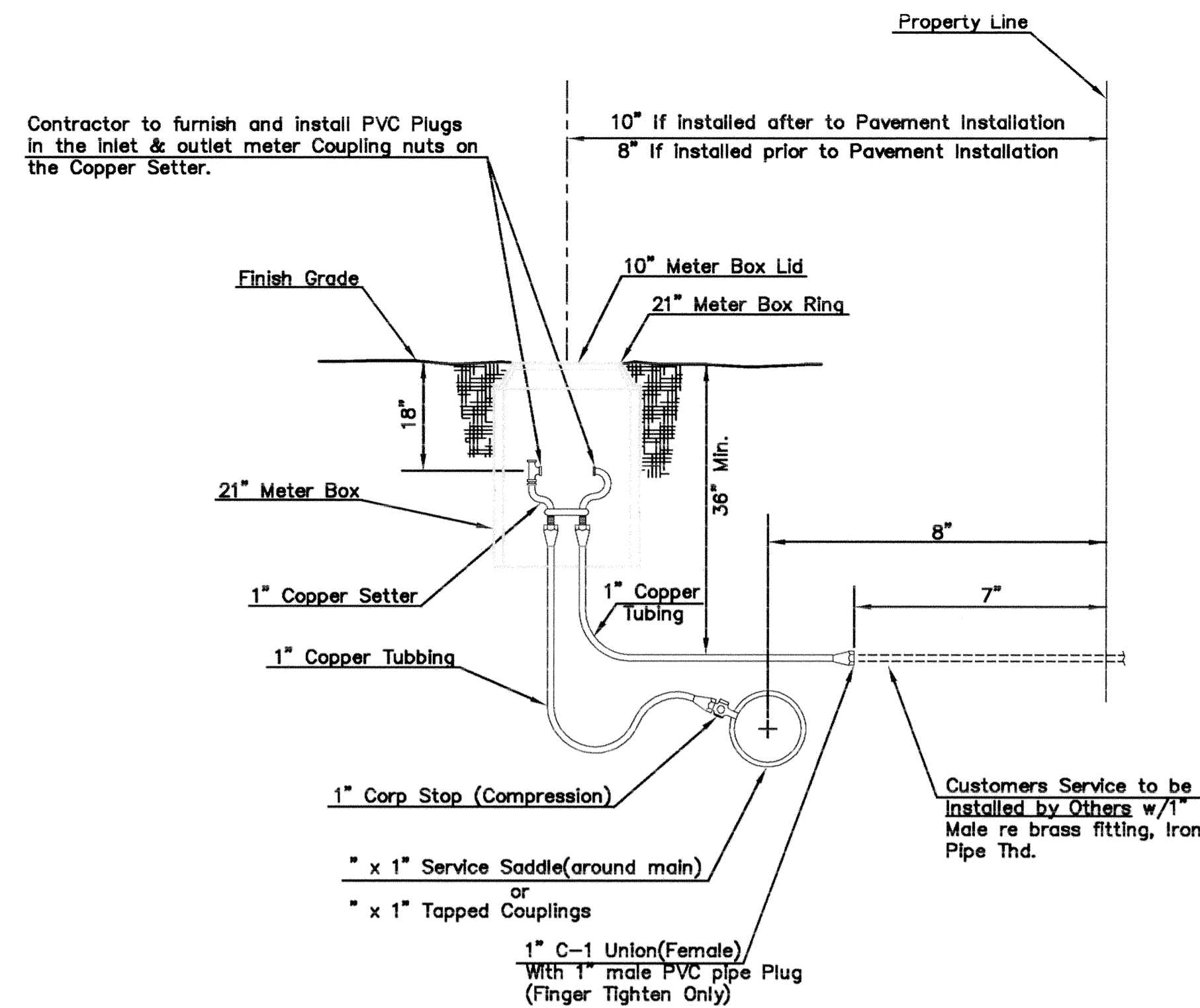


Note: Service Saddles are not required on top of 8" mains or larger

Meter boxes will be located on each lot to be served, as indicated in the SPECIAL PROVISIONS

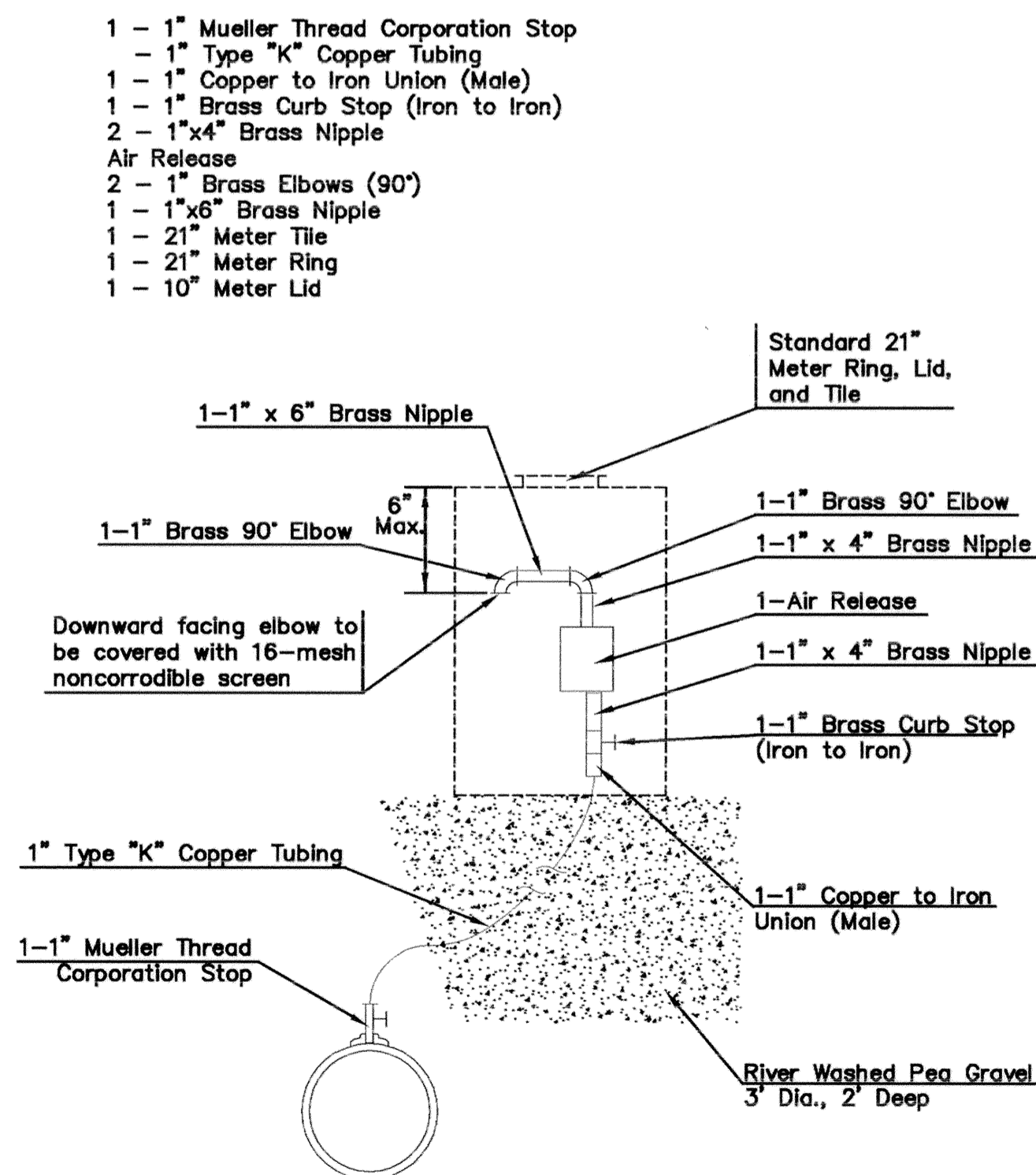
### TYPICAL METER SETTING LONG SERVICE 1"



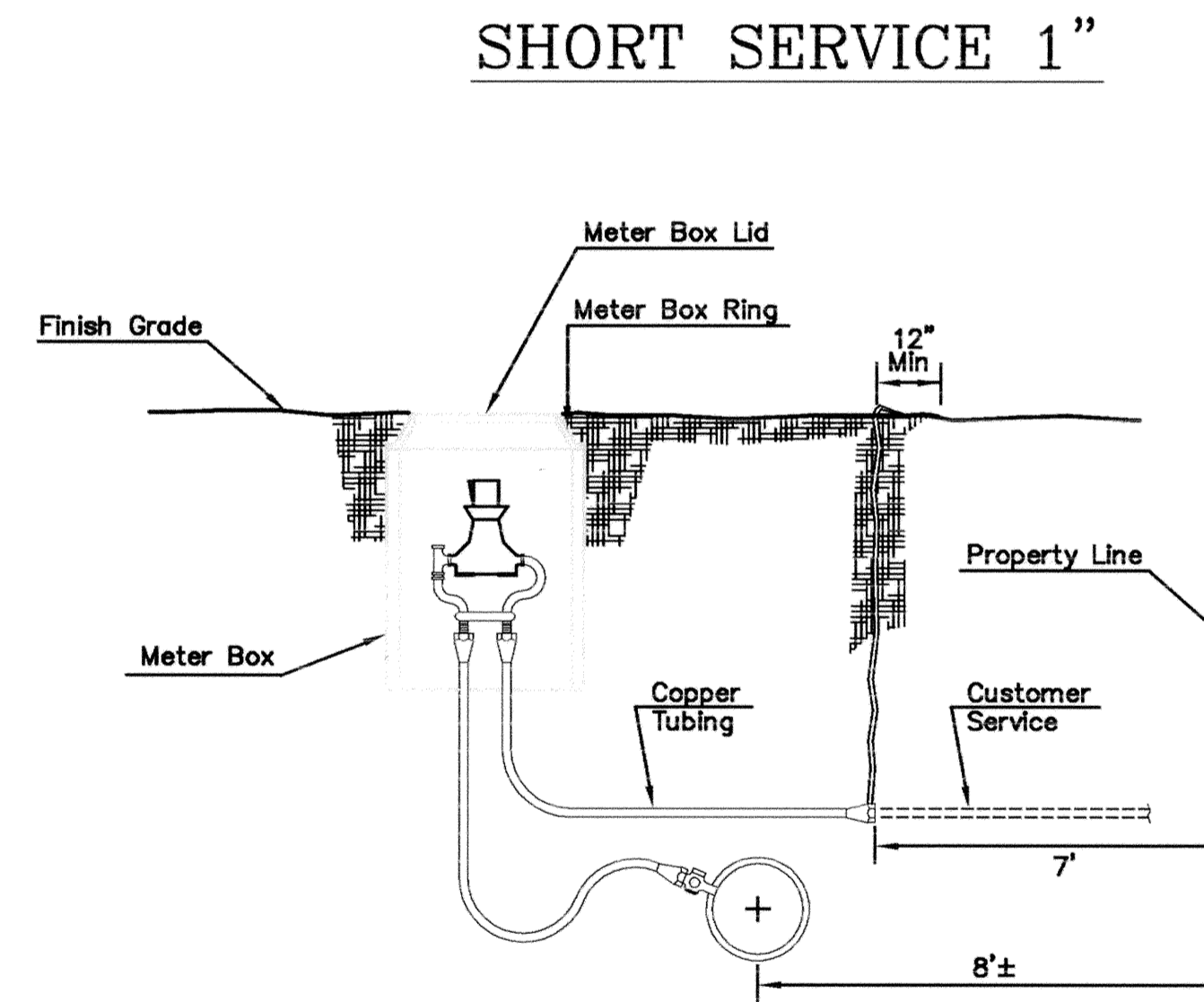
Note: Service Saddles are not required on top of 8" mains or larger

Meter boxes will be located on each lot to be served, as indicated in the SPECIAL PROVISIONS

### TYPICAL METER SETTING SHORT SERVICE 1"

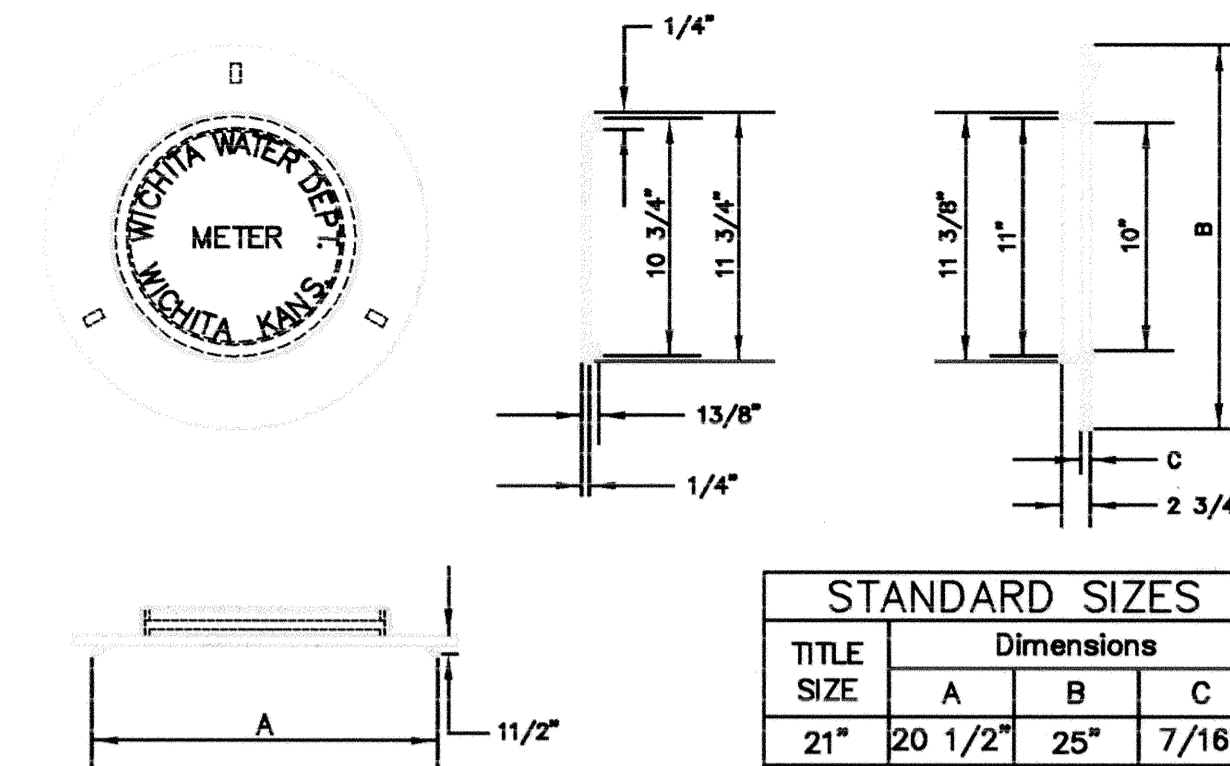


### MATERIALS FOR AIR RELEASE ASSEMBLY



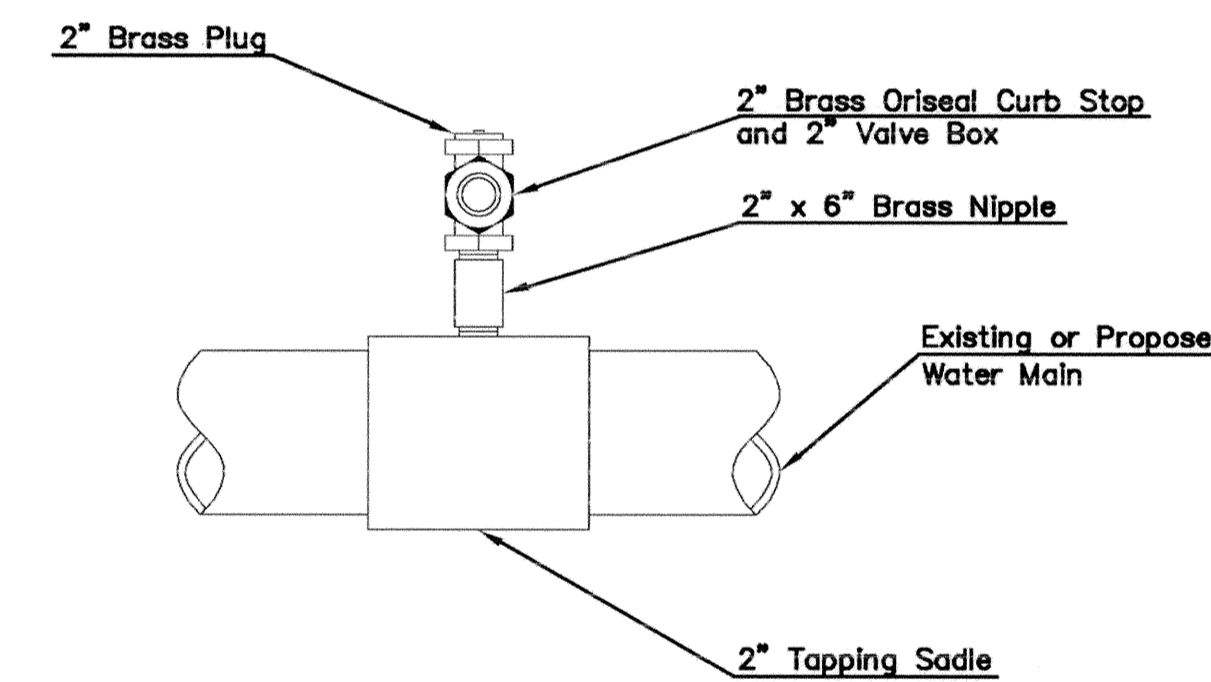
If customers service line is not installed at the time Meter Box and Setter are installed, Plastic Flagging is to be tied to the end of copper tubing & brought straight up to top of ground and be exposed a minimum of 12" on top of ground. (Plastic Flagging to be Furnished by Contractor)

### TYPICAL METER SETTING PLASTIC FLAGGING



Other Approved Ring And Lids: Ford Meter Box Co. Inc. 21" Ring & Lid Catalog No. C-4

### RING & LID FOR METER VAULTS



Note: Where the 2" service outlet assembly is to be used to connect a 2" main to another main, the 2" valve shall be a 2" IPT Gate Valve. 2" Ball or Globe valve shall not be approved for this use.

### 2" SERVICE OUTLET ASSEMBLY

REVISED APR 97

**STANDARD WATER SERVICE DETAILS**

CITY ENGINEER  
JAMES L. ARMOUR, P.E., L.S.

|                            |                      |               |
|----------------------------|----------------------|---------------|
| PROJECT NUMBER<br>XXX-XXXX | OCA NUMBER<br>XXXXXX | DATE<br>MM/YY |
|----------------------------|----------------------|---------------|

CITY ENGINEER'S OFFICE  
CITY HALL - SEVENTH FLOOR  
455 NORTH MAIN STREET  
WICHITA, KANSAS 67202-1620  
(316) 268-4501  
(316) 268-4114 FAX

|                 |              |
|-----------------|--------------|
| DESIGN<br>ABC   | DRAWN<br>DEF |
| SHEET<br>C-13.5 |              |

**WICHITA ENGINEERING**