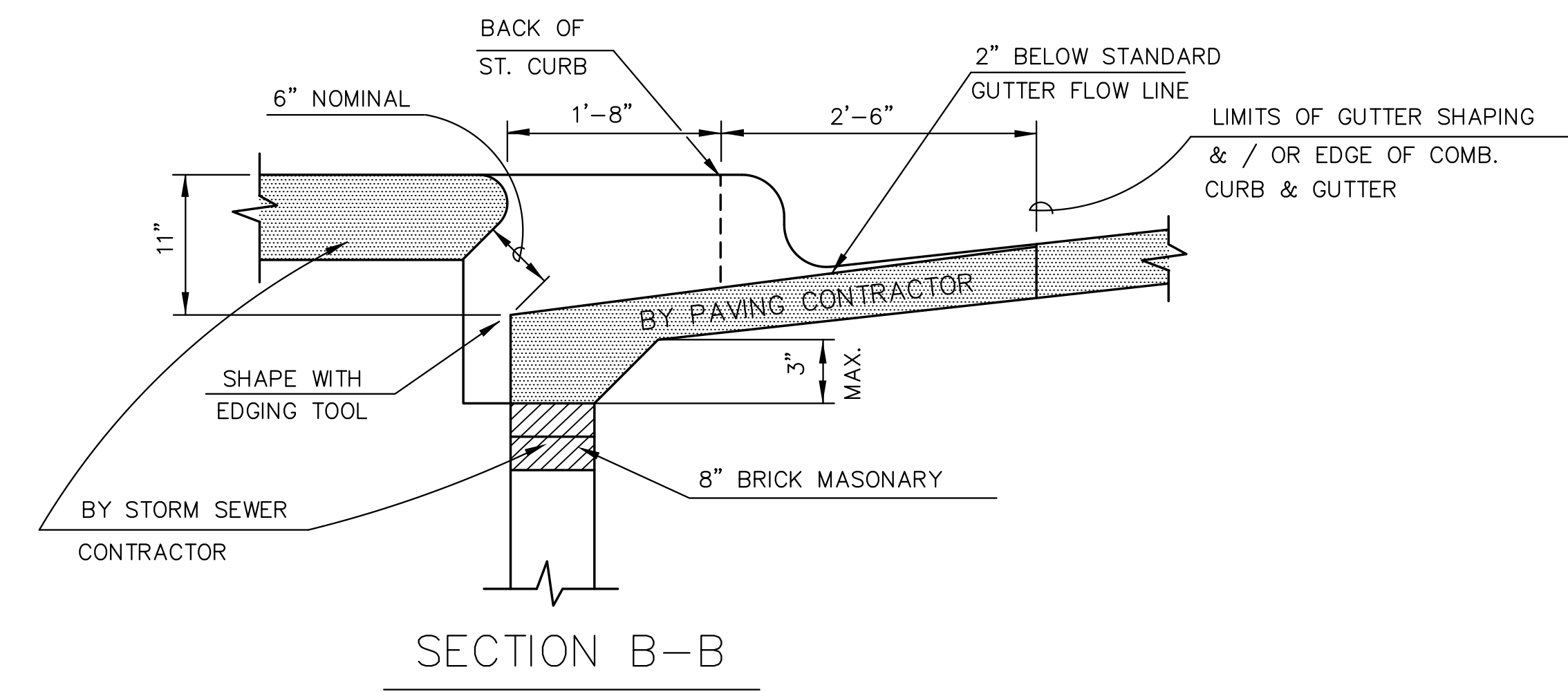
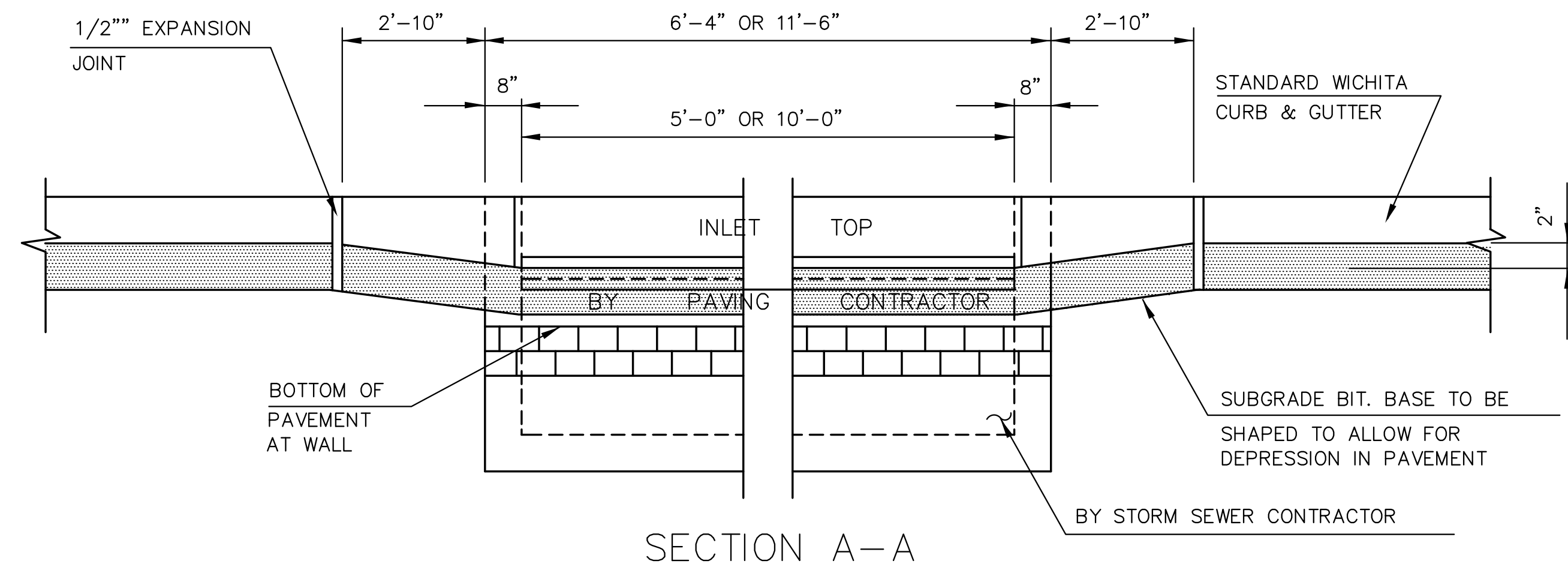


GENERAL NOTES

1. USE THE CONCRETE MIX SPECIFIED FOR CITY OF WICHITA CONCRETE PAVEMENT. ALL EXPOSED EDGES SHALL BE FINISHED WITH AN EDGING TOOL.
2. TYPE 1A INLET HOOKUP WILL BE PAID EACH REGARDLESS OF SIZE.
3. ADDITIONAL CURB & GUTTER CONSTRUCTION NECESSARY TO CONNECT SET BACK INLET TO PAVEMENT WILL BE PAID FOR AT THE UNIT PRICE BID FOR EACH INLET



TYPE 1A INLET HOOKUP

(BY PAVING CONTRACTOR)

PAVING PLANS
BERKELEY SQUARE FIRST ADDITION
HOME BANK & TRUST ADDITION

INLET HOOKUP DETAILS

SHEET TITLE
472-84975
PROJECT NUMBER

MKEC | MKEC | MKEC
DESIGNED | DRAWN | CHECKED

ISSUED
August 2011

REVISED

SHEET NO.

4 of 21