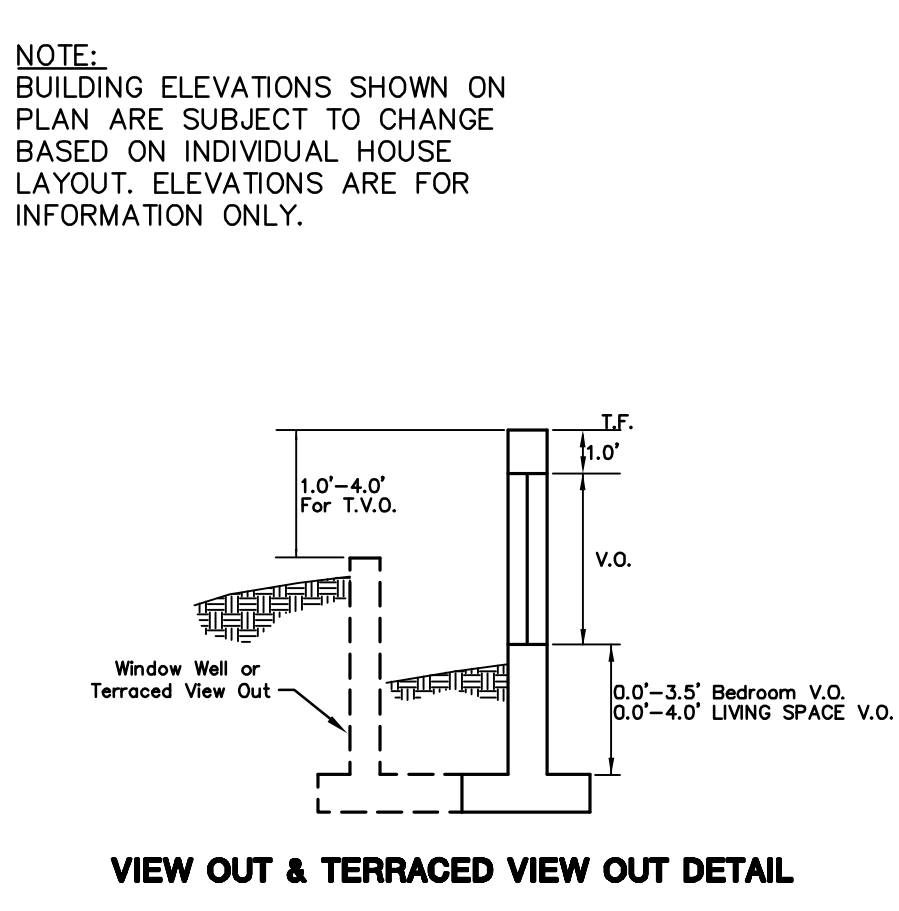
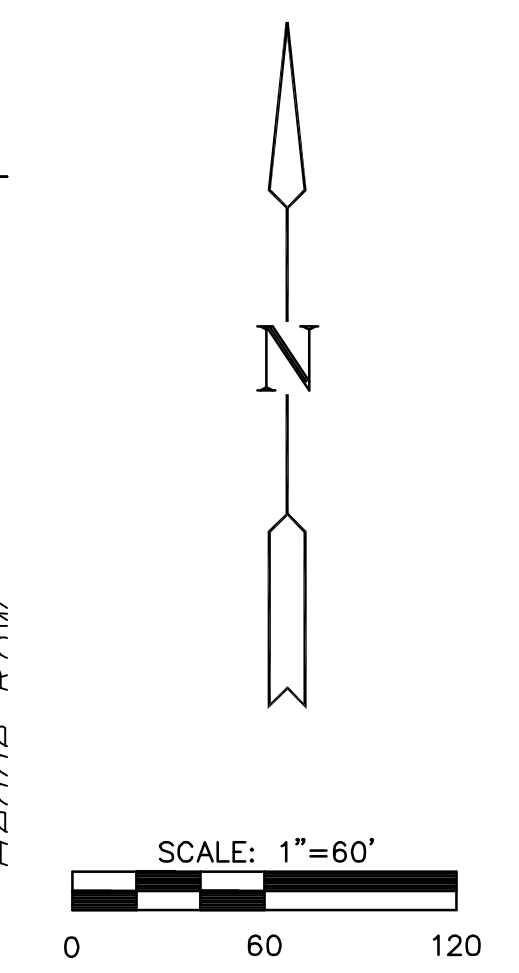
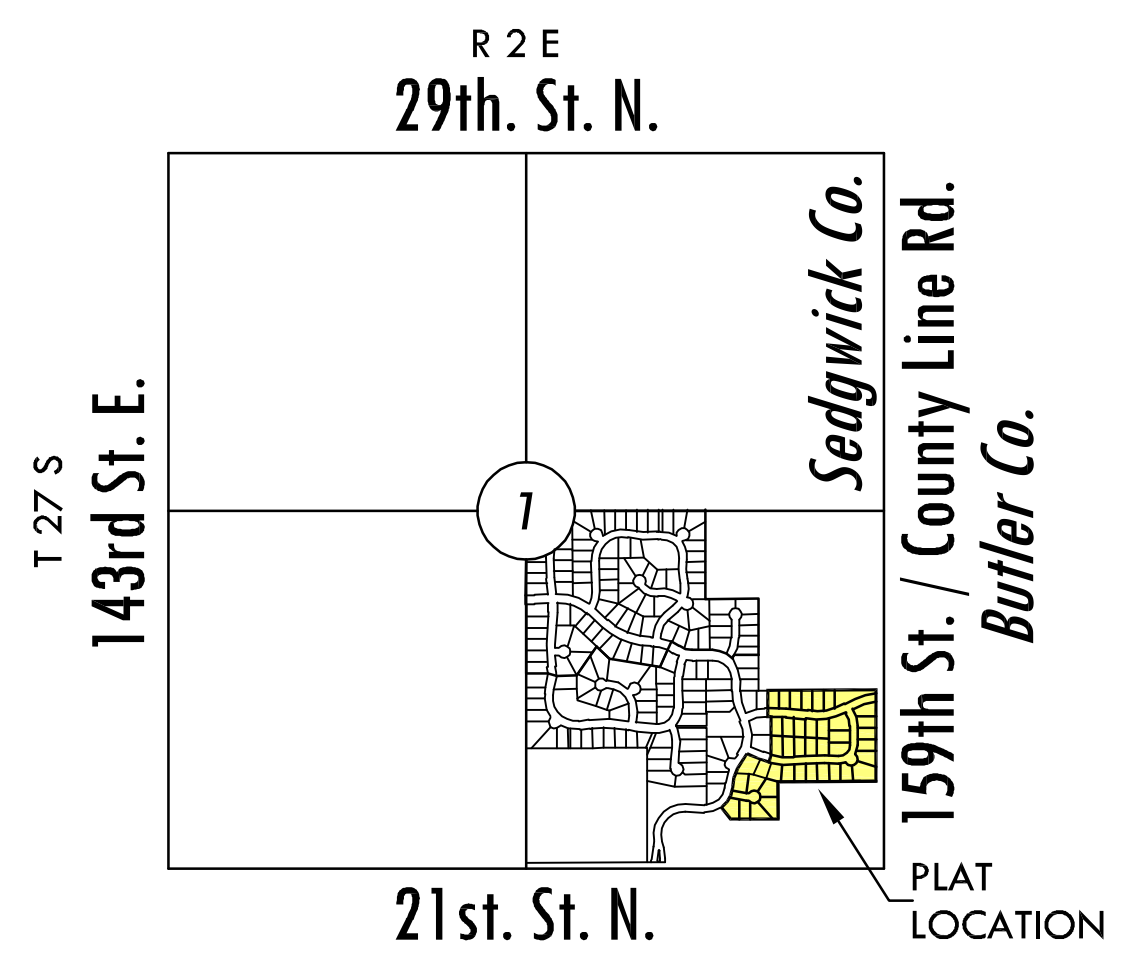


CONST. V-BOTTOM DITCH  
0.5% SLOPE, 4:1 SIDE  
SLOPES, MAX OVERALL  
DEPTH= 2' OVERALL  
WIDTH= 16'

- ### LEGEND
- - CONIFEROUS TREE
  - - DECIDUOUS TREE
  - - SIGN
  - - POWER POLE
  - - ELECTRIC BOX
  - - LIGHT POLE
  - - FIRE HYDRANT
  - - WATER VALVE
  - - WATER METER
  - - SECTION CORNER
  - - BENCHMARK
  - - EASEMENT
  - - BUILDING SETBACK
  - - FENCE
  - - STORM SEWER PIPE
  - - WATER LINE
  - - SANITARY SEWER LINE
  - - GAS LINE
  - - GAS PIPELINE
  - - TELEPHONE LINE
  - - UNDERGROUND ELEC.
  - - OVERHEAD ELECTRIC
  - - FIBER OPTIC CABLE
  - - DRAINAGE SUB BASIN
  - - DRAINAGE BASIN
  - - FLOW ARROW
  - - AREA FOR SWS SIZING
  - VO - VIEW OUT
  - NVO - NO VIEW OUT
  - WO - WALKOUT
  - PVO - PARTIAL VIEW OUT
  - PWO - PARTIAL WALKOUT
  - 1372.2 - PROP. SPOT ELEV.



**MKEC**  
ENGINEERING  
CONSULTANTS, INC.  
411 N. WEBB ROAD  
WICHITA, KS. 67206  
316-684-9600

**PRELIMINARY**  
NOT FOR  
CONSTRUCTION

**MONARCH LANDING**  
MONARCH LANDING 3RD ADDITION  
WICHITA, KANSAS  
**LOT GRADING PLAN**

DATE	AUGUST 2011
REVISED	
DESIGN BY	KLA
DRAWN BY	TBK
CHECKED BY	GJA
SHEET NUMBER	16 25

J:\Civil\06201\dwg\Sws\Third Add\06201\_LGP3rd.dwg