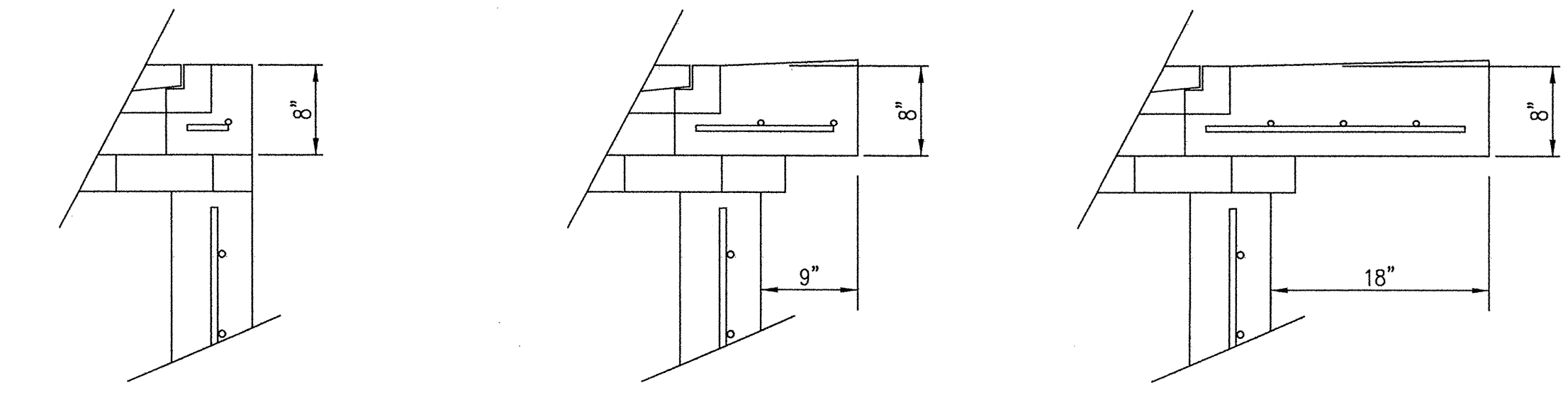


TOP VIEW



FLUSH STYLE TOP  
NO APRON

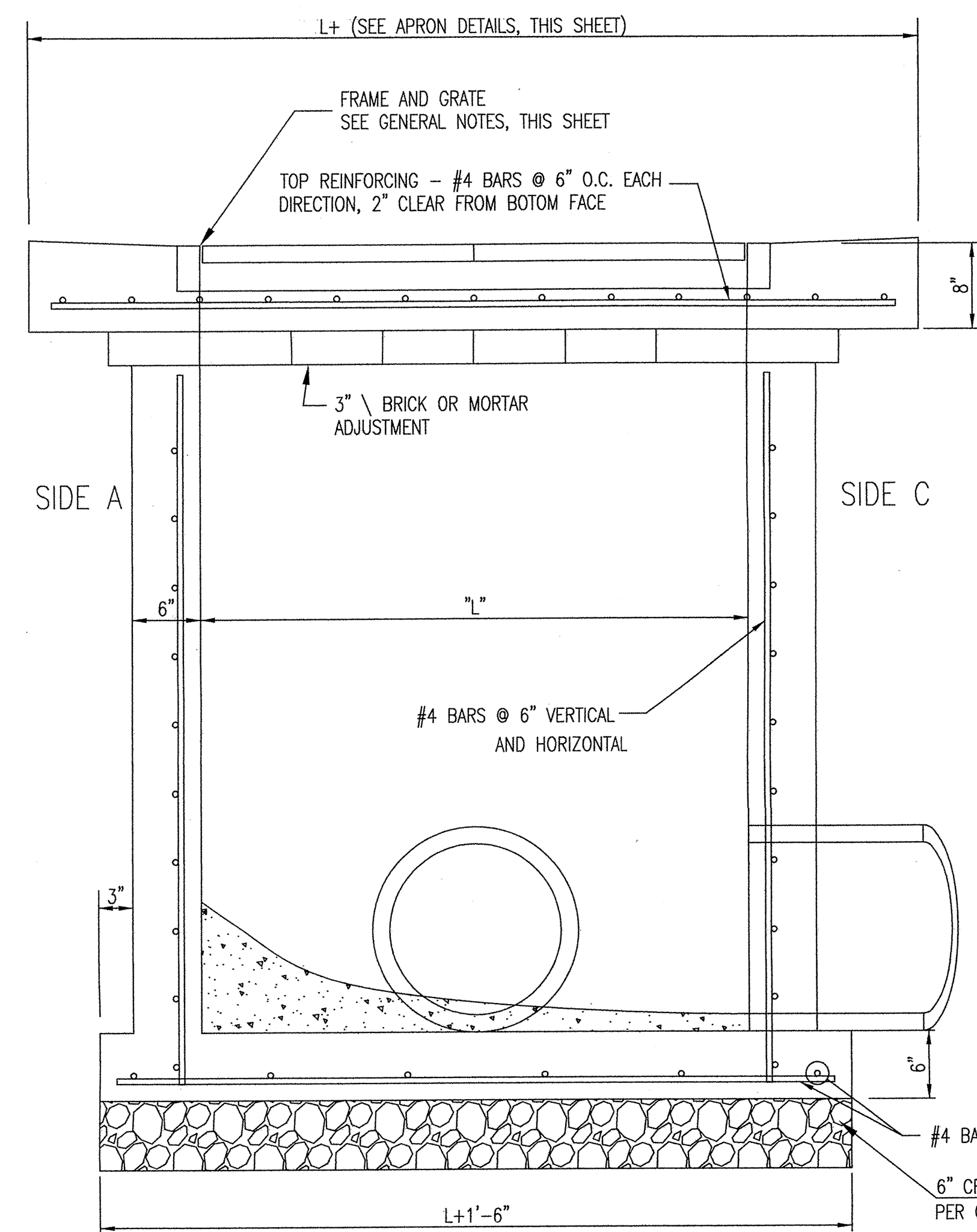
9" APRON

18" APRON

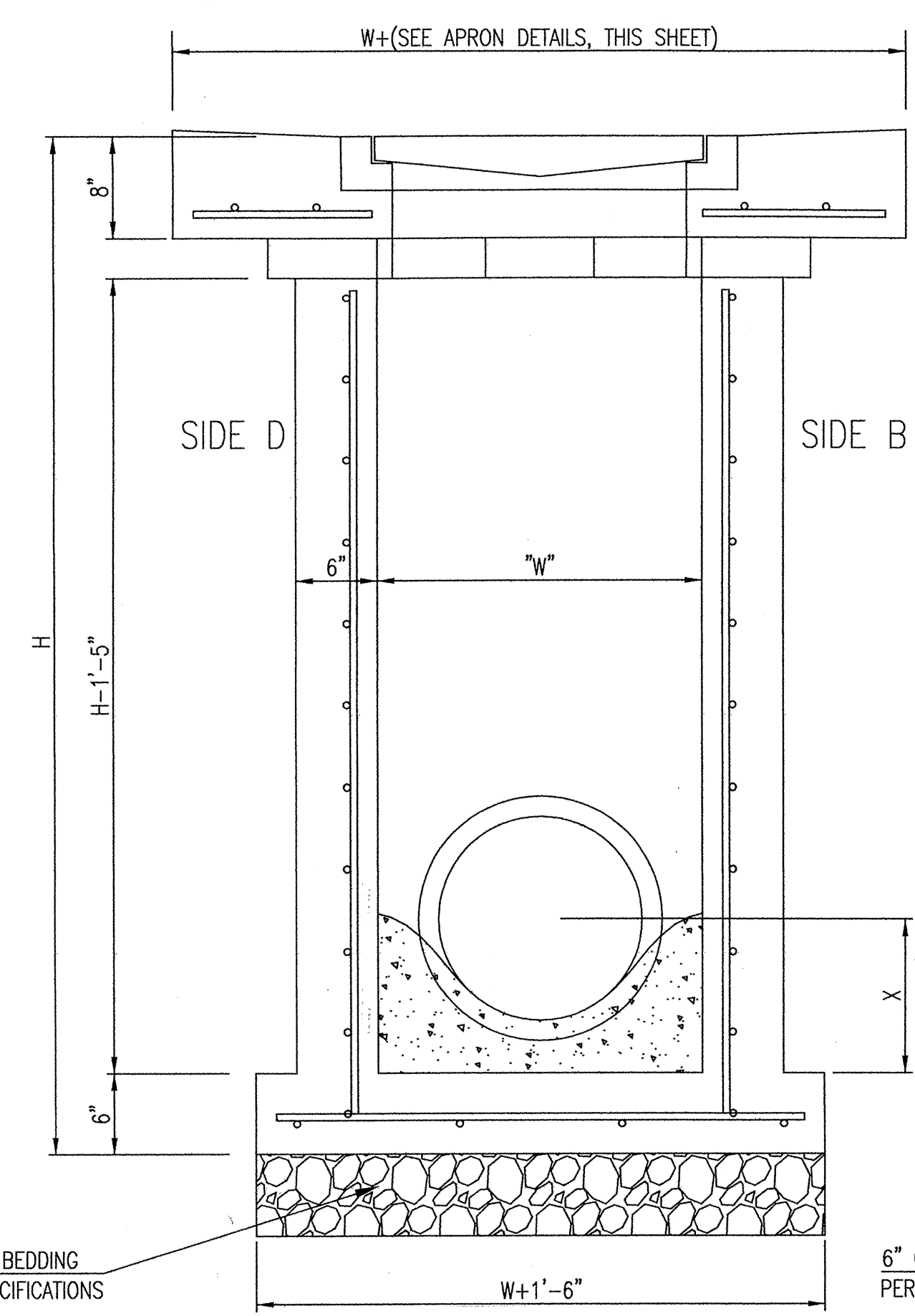
\* APRON TO EXTEND ON ALL 4 SIDES OF INLET.  
DESIGNER TO DESIGNATE APRON SIZE.

GENERAL NOTES

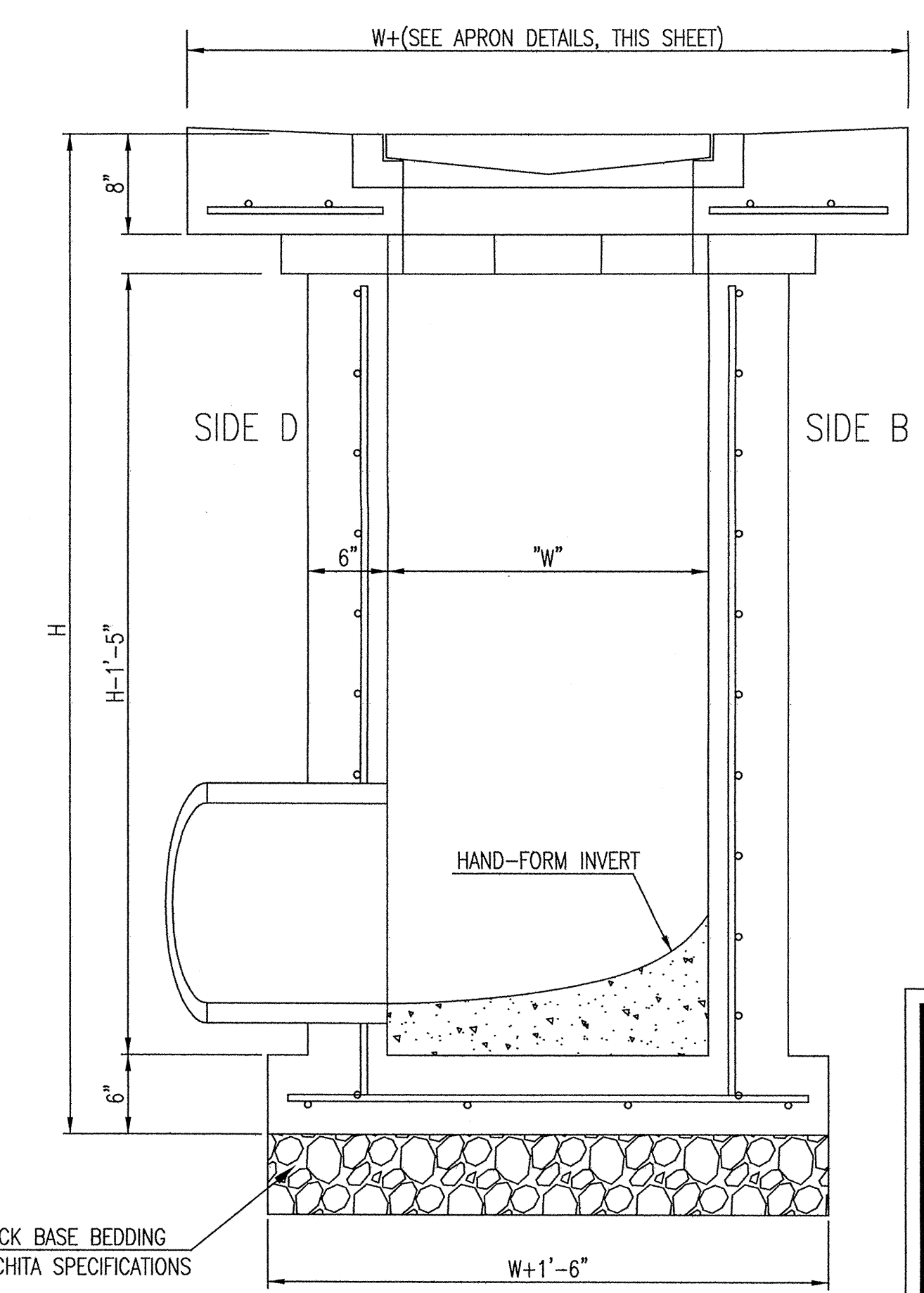
1. GRATE FRAME TO BE INSTALLED ON THIN MORTAR CUSHION TO INSURE FULL SUPPORT ALONG BRICK. CONCRETE USED FOR INLET CONSTRUCTION SHALL CONFORM TO CITY OF WICHITA SPECIFICATIONS FOR CONCRETE PAVEMENT MIX.
2. INLET INVERT SHALL BE SHAPED WITH 8 SACK SAND MIX CONCRETE TO CREATE FLOW CHANNELS AND TO INCREASE HYDRAULIC EFFICIENCY SUCH THAT THE INLET WILL BE SELF CLEANING BETWEEN ALL INLET AND/OR OUTLET PIPES.
3. THE ENDS OF ALL PIPES INSTALLED IN INLETS SHALL BE CUT OFF FLUSH WITH THE INSIDE FACE OF THE INLET WALL.
4. INLET FRAME AND GRATE TO BE DEETER #2433, EJIW #5391-Z1 OR APPROVED EQUAL FOR 2'x2' SINGLE DROP INLET AND DEETER #2434, EJIW #5391 Z3 OR APPROVED EQUAL FOR 2'x4' DOUBLE DROP INLET.
5. CONTRACTOR SHALL REMOVE LIFTING HOOKS AFTER INSTALLATION. RECESSES IN INLET WALL SHALL BE GROUTED FLUSH TO THE INLET WALL WITH HYDRAULIC CEMENT AFTER THE INLET IS IN PLACE. LIFTING HOLES THRU THE INLET WALL WILL NOT BE ACCEPTED.



SECTION "A-A"



SECTION "B-B"  
END OUTLET



SECTION "B-B"  
SIDE OUTLET

Saved: 04-06-2011 8:15:42 AM by MIKESMITH  
 Plot Scale: 1:10.105 04-15-2011 1:28:34 PM by MIKE SMITH  
 C:\49810\Storm Sewer\Storm Sewer Plans 03-07-11\SW-201-Single-Double Drop Inlet.dwg, 4/15/2011 1:28:33 PM



<b>SINGLE/DOUBLE DROP INLET</b>			
CITY ENGINEER <b>JAMES L. ARMOUR, P.E., L.S.</b>			
PROJECT NUMBER	OCA NUMBER	DATE 11/2010	
CITY ENGINEER'S OFFICE CITY HALL - SEVENTH FLOOR 455 NORTH MAIN STREET WICHITA, KANSAS 67202-1620 (316) 268-4501		DESIGN	DRAWN
		SHEET <b>C-9.14</b>	