

PAVING & INCIDENTAL DRAINAGE PLANS
FOX RIDGE ADDITION
PHASE 14

BRUSH CREEK CIRCLE

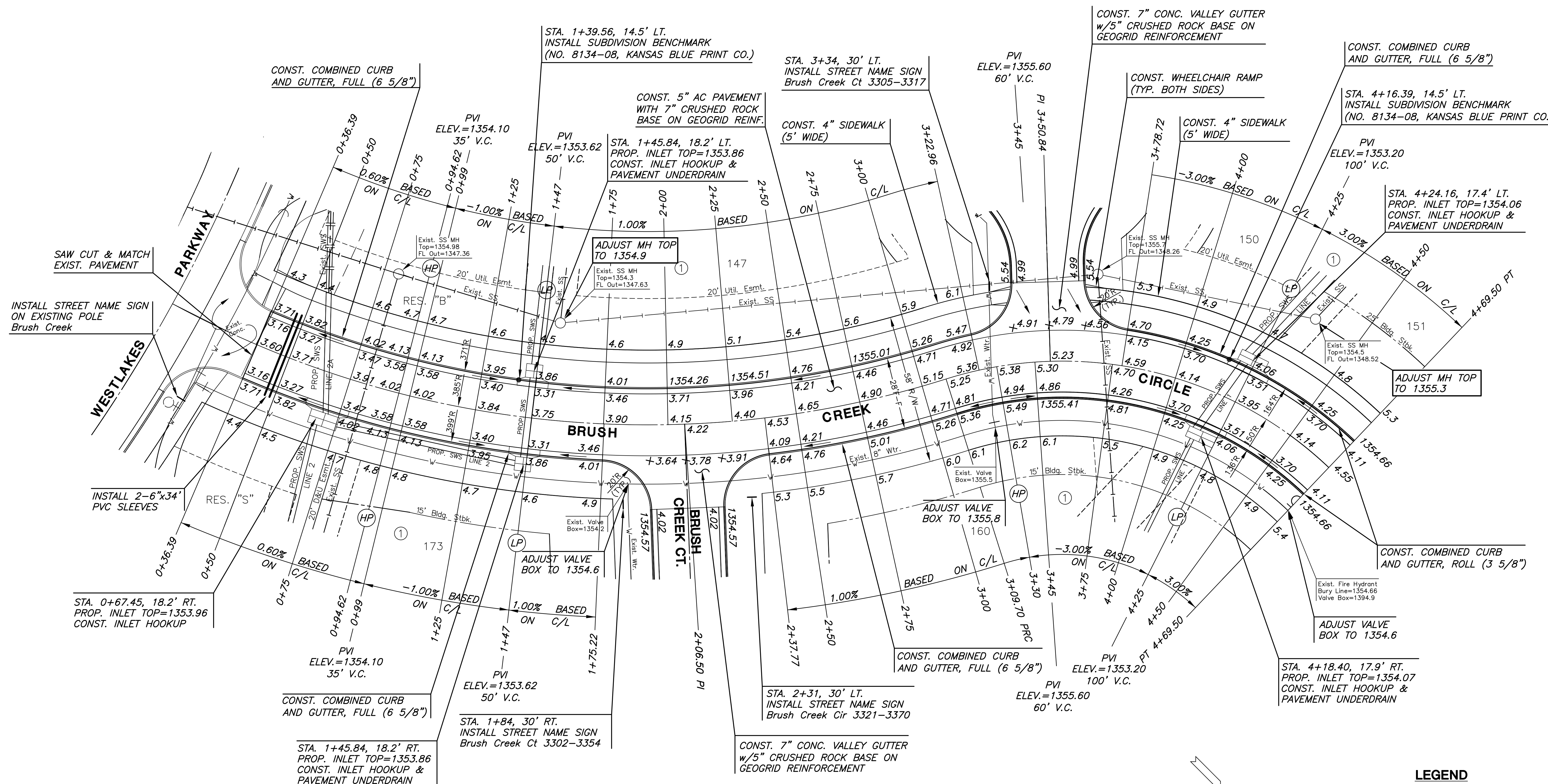
SHEET TITLE
472-83791
PROJECT NUMBER

DFL / KKL / GJA
DESIGNED / DRAWN / CHECKED

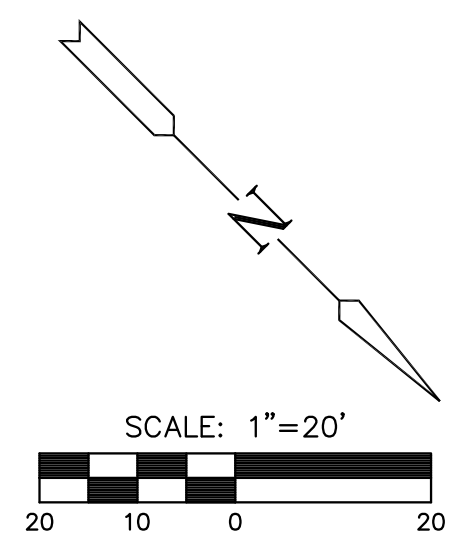
ISSUED
October 2011

REVISED

SHEET NO.



- NOTES:
- ELEVATIONS SHOWN ALONG CURB & GUTTER ARE TO FLOWLINE AND TOP OF CURB UNLESS OTHERWISE NOTED.
 - ALL DIMENSIONS ARE TO FACE OF CURB UNLESS OTHERWISE NOTED.
 - ALL PVI AND VERTICAL CURVE INFORMATION IS BASED ON CENTERLINE UNLESS OTHERWISE NOTED.



LEGEND

- +— STREET SIGN & SIGN LOCATION (SEE SIGN ASSEMBLY TABLE FOR TYPE & STATION OF SIGN)
- FLOW ARROW

PLOT: Wednesday, October 12, 2011 8:08:32AM

G:\CIVIL\981118\DWG\PAV\PH_14\981118_E1_14.DWG