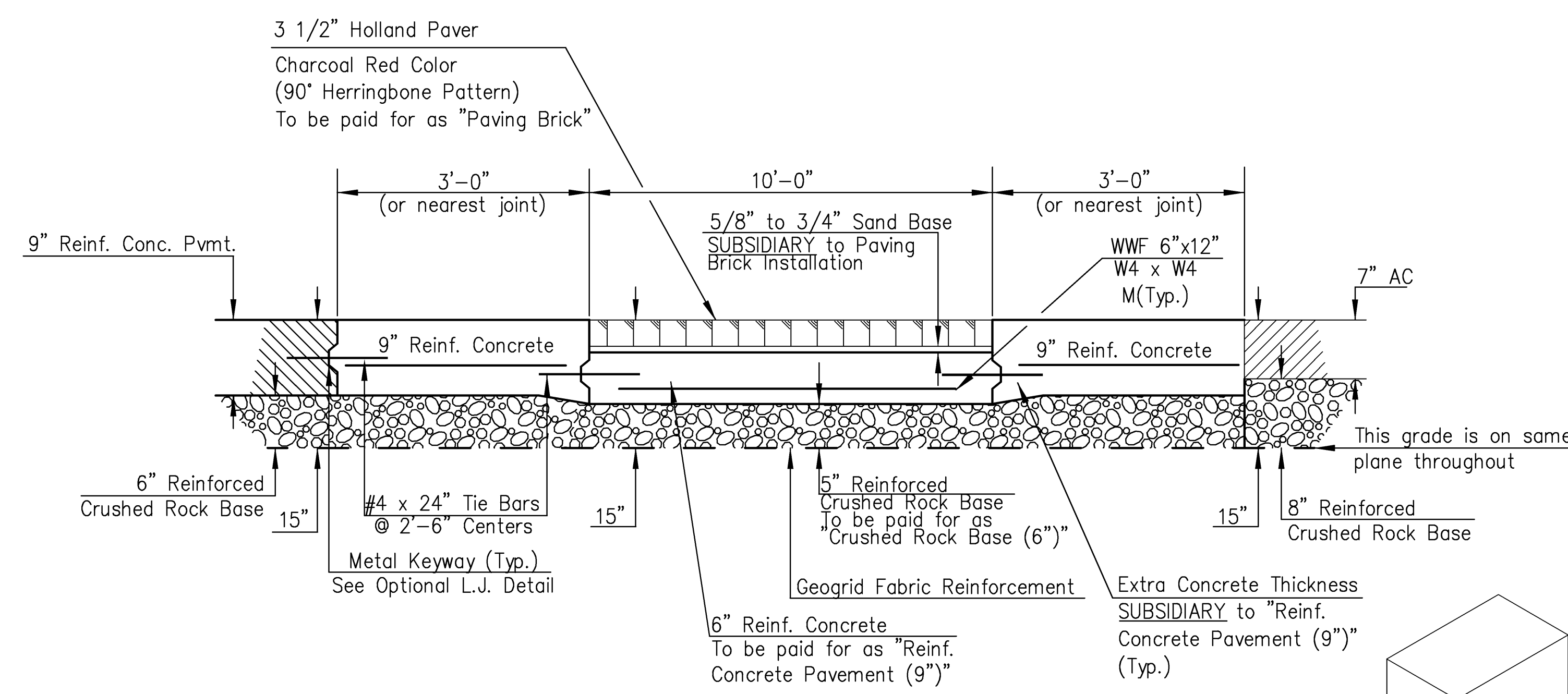
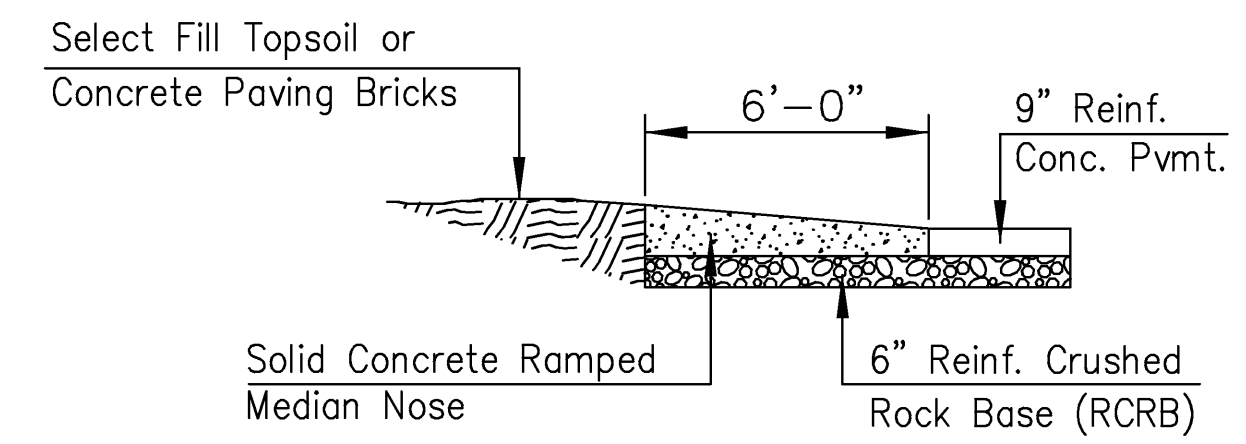


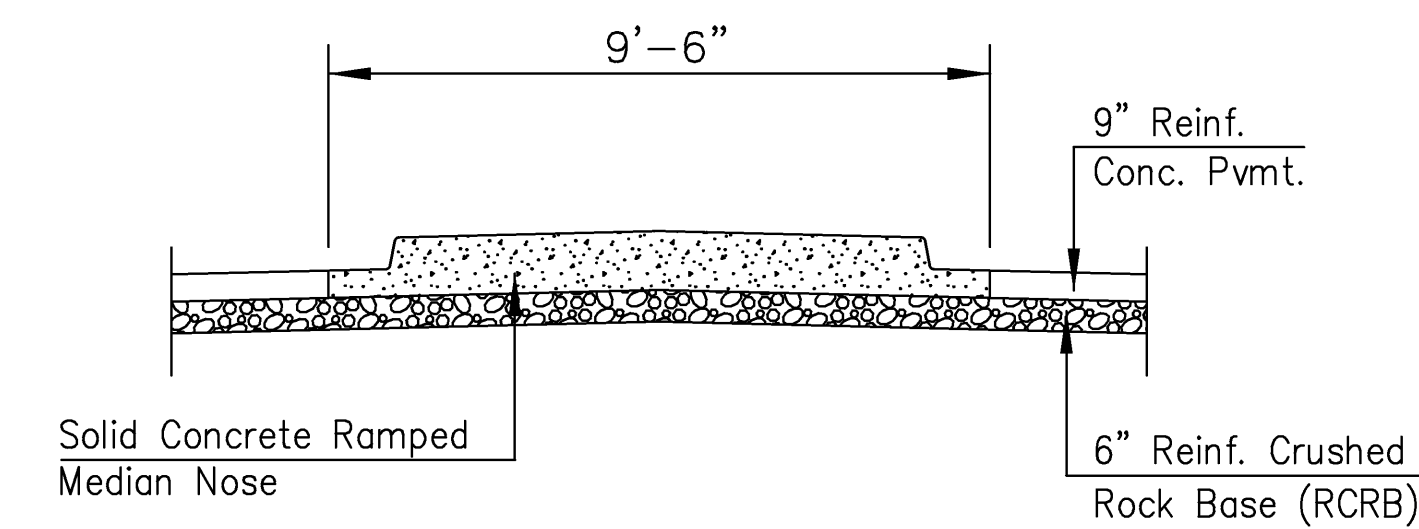
PIPE COLLAR DETAIL AT PIPE CONNECTION



CROSSWALK BRICK PAVER SURFACE DETAIL



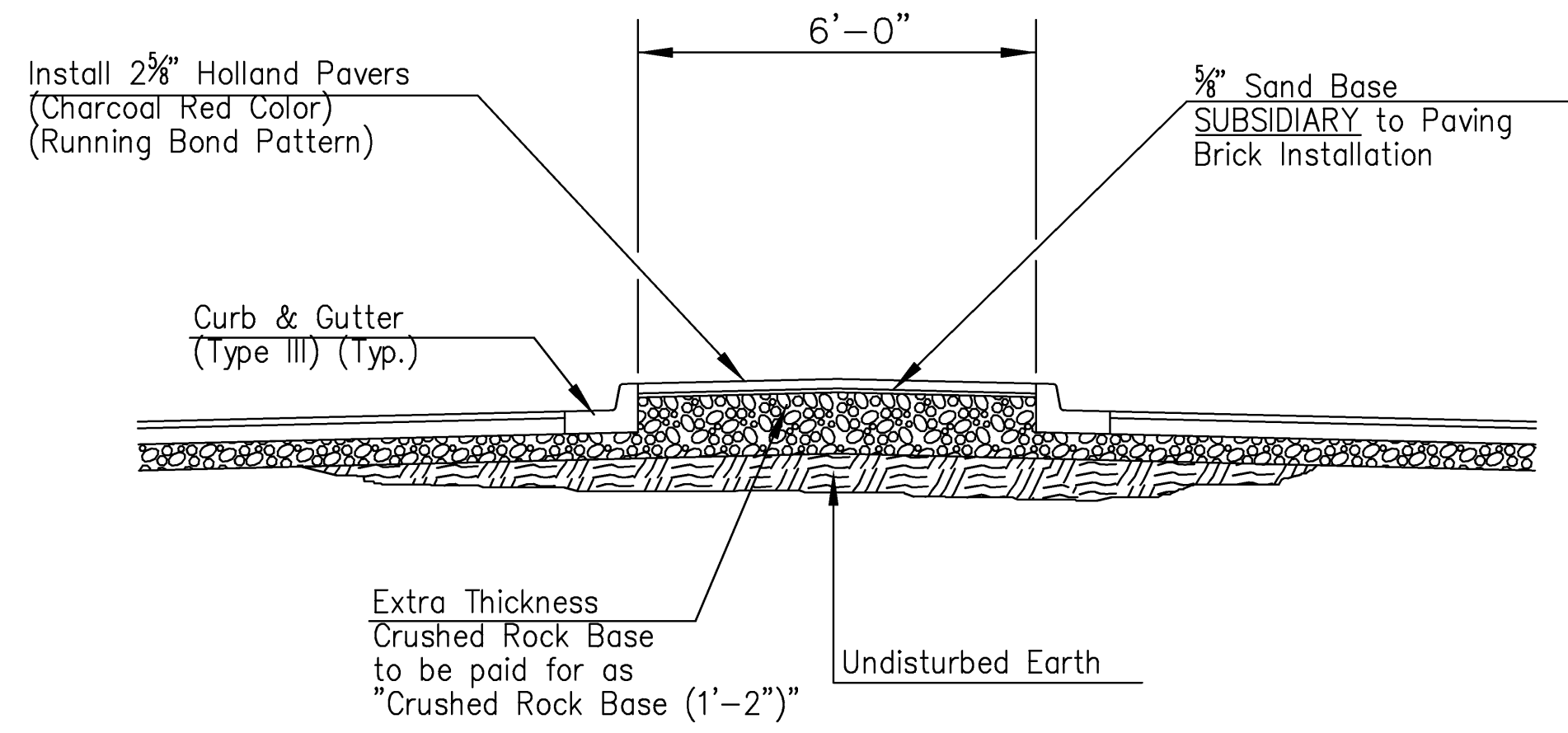
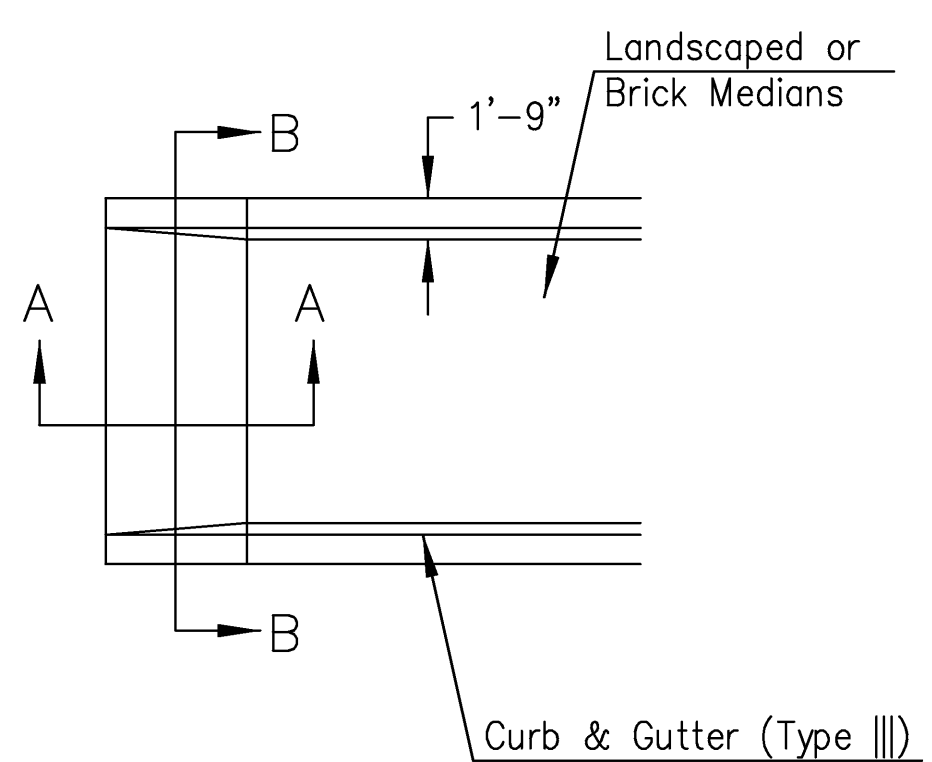
SECTION A-A



SECTION B-B

CONCRETE MEDIAN NOSE DETAIL

Shall be paid for as "Concrete Median Nose (Ea.)"



BRICK PAVER MEDIAN DETAIL

REVISED

SEAL:



Cook, Flatt & Strobel
ENGINEERS, P.A.
CFS

CFS PROJECT NO:
10-5048

CITY OF WICHITA, KANSAS
E. HARRY ST. & WOODLAWN ST.
INTERSECTION

SHEET TITLE:
CROSSWALK
BRICK PAVER
DETAIL

PROJECT NUMBER:
87N-0494-01

FINAL
PLANS

SHEET NUMBER:
20 of 69

J:\010\100494\87N0494-01\BRICK PAVER CROSS WALK DETAILS.dwg, 02/28/11, 2:28:07 PM