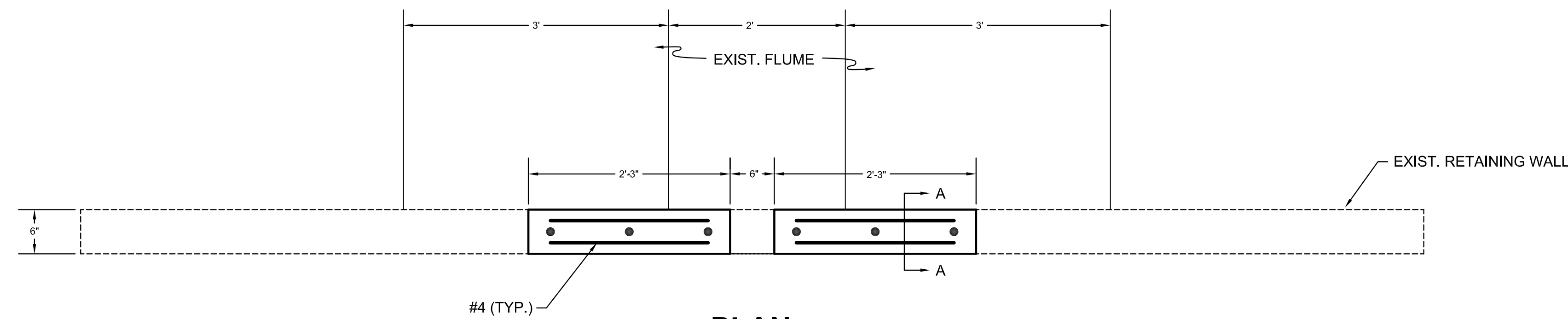


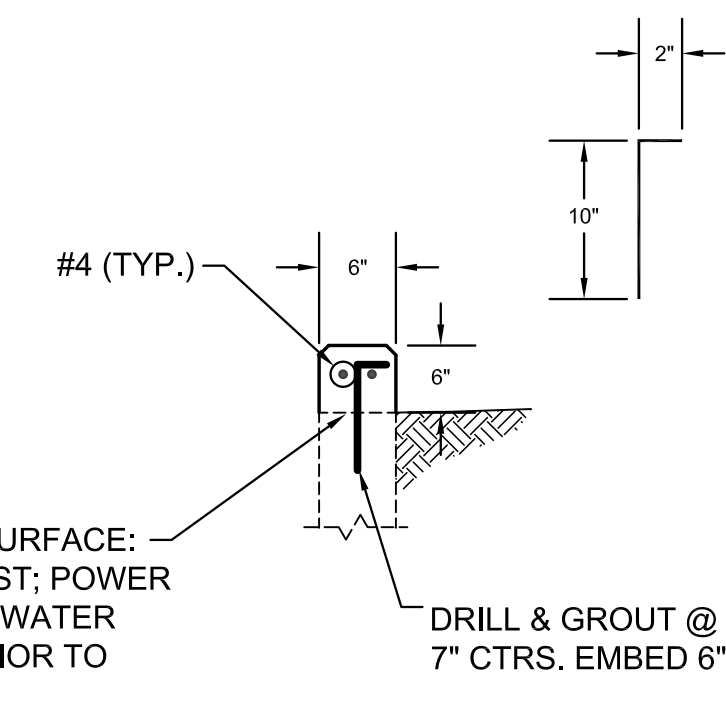
NOTE:
CONTRACTOR TO REPAIR ANY
DAMAGE DONE TO EXIST FLUME
DURING CONSTRUCTION ACTIVITIES.
(COST SUBSIDIARY TO WEIR BID ITEM)



PLAN

WEIR DETAILS

SCALE: 1" = 10'



SECTION A-A

**STORM WATER SEWER NO. 662
HAMPTON SQUARE SECOND**

**WEIR
MODIFICATION**

SHEET TITLE
468-84773
PROJECT NUMBER

DFL / KKL / GJA
DESIGNED / DRAWN / CHECKED

ISSUED
November 2011

REVISED

SHEET NO.