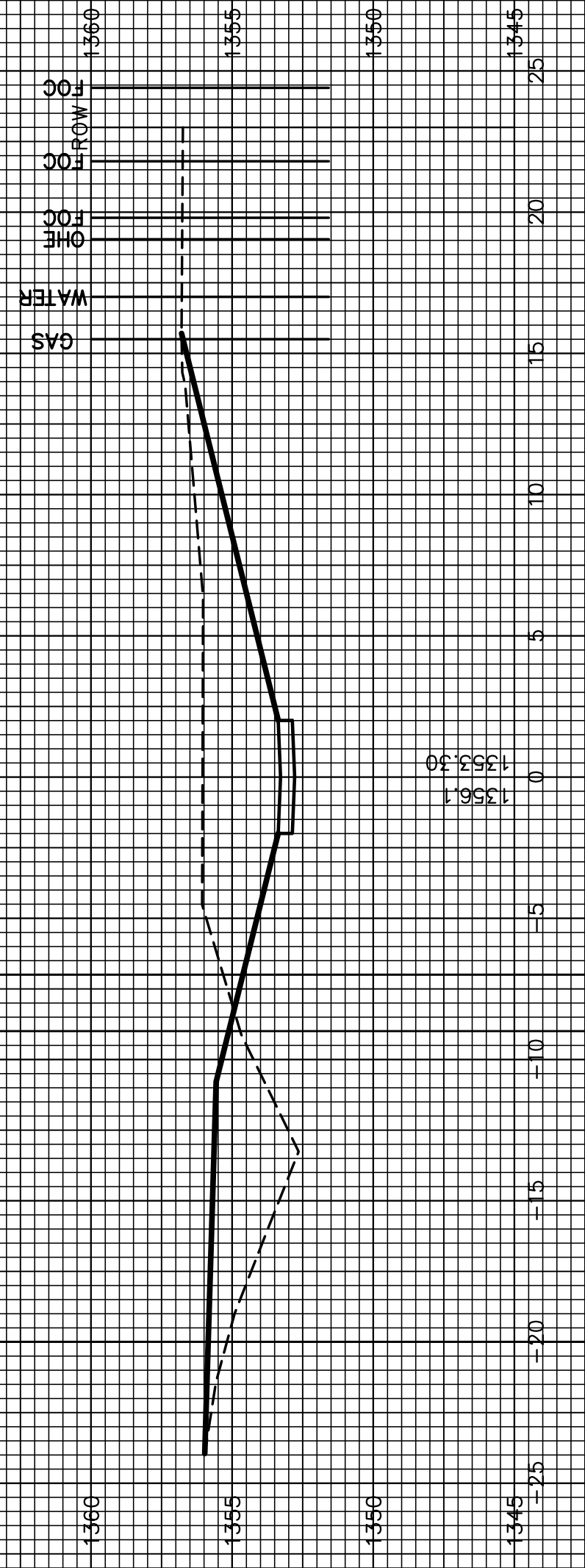
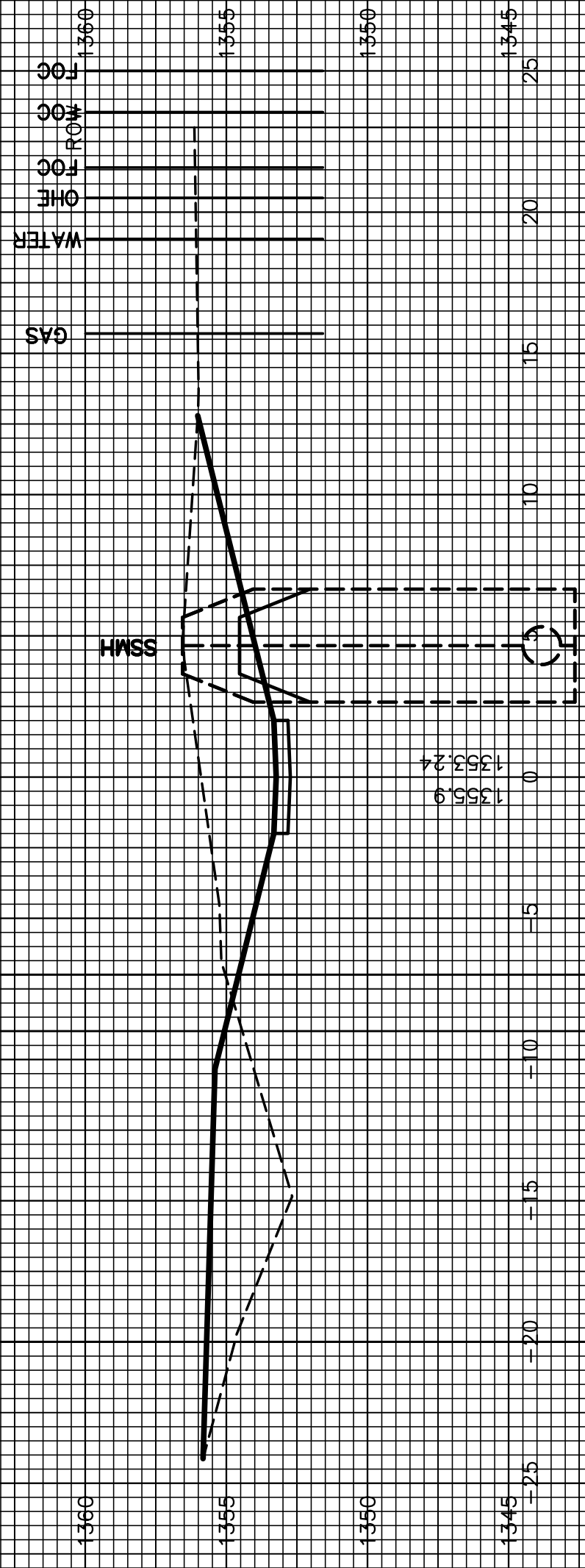


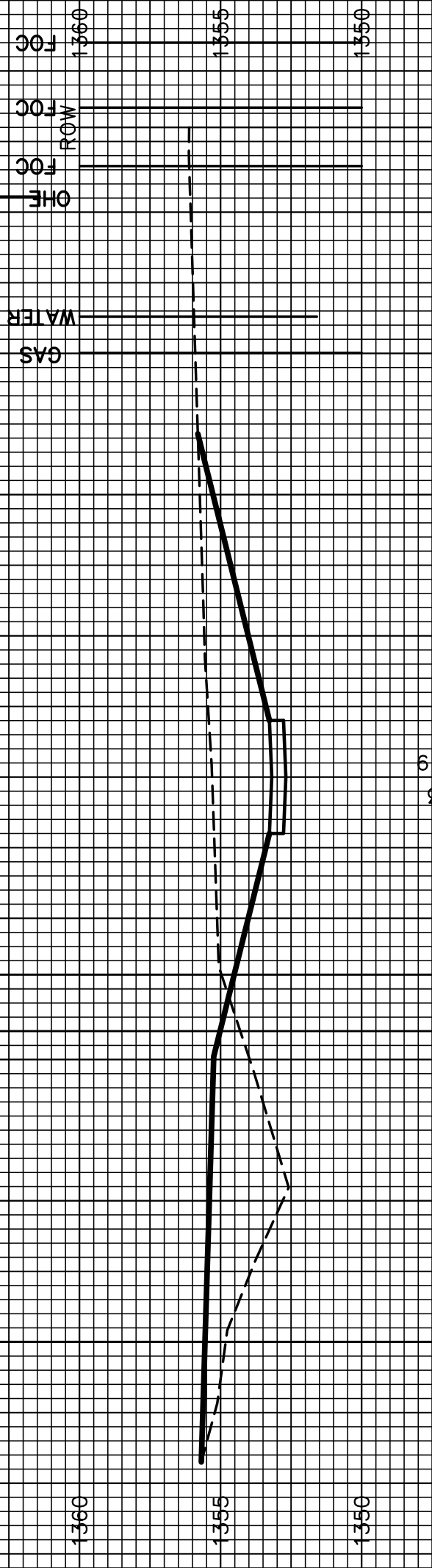
15+00



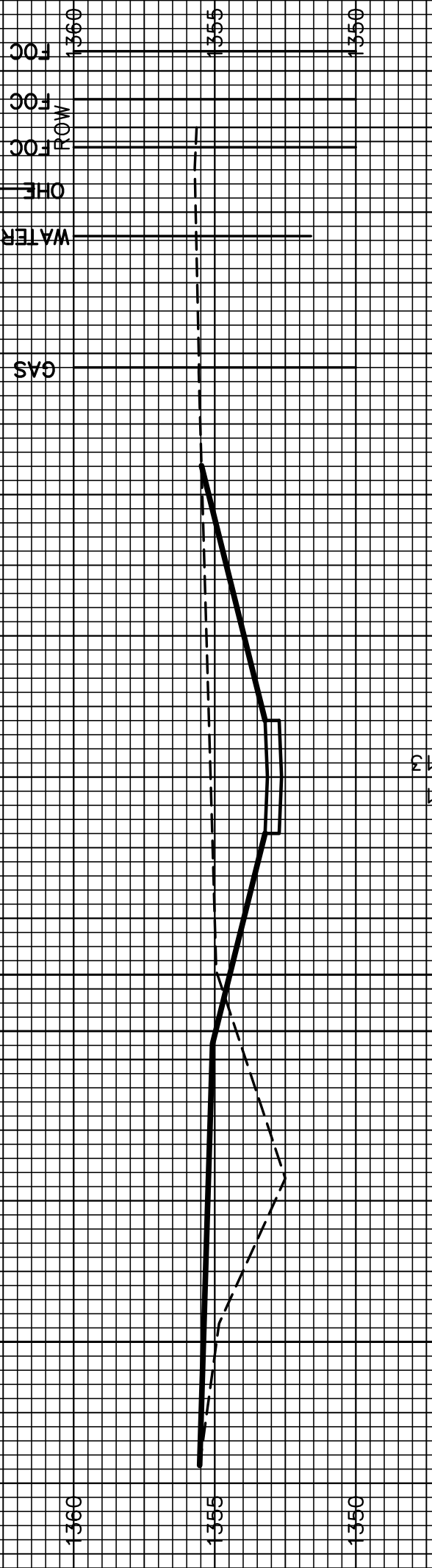
14+50



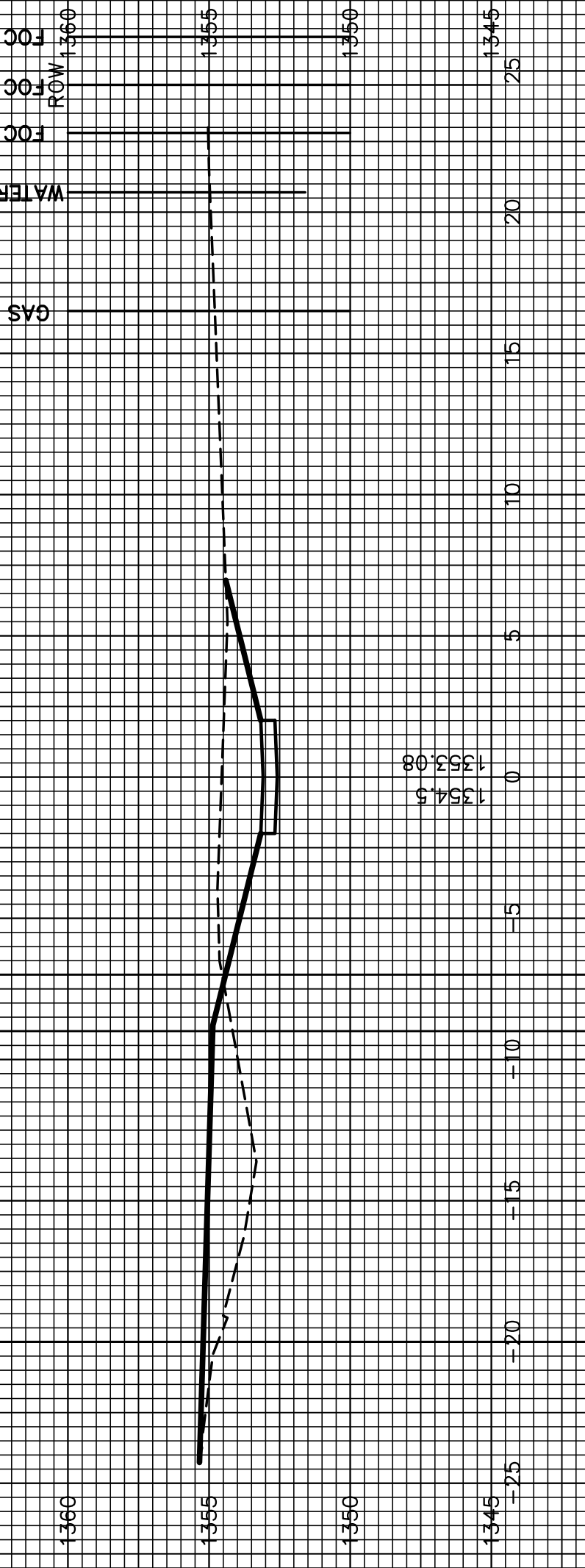
14+00



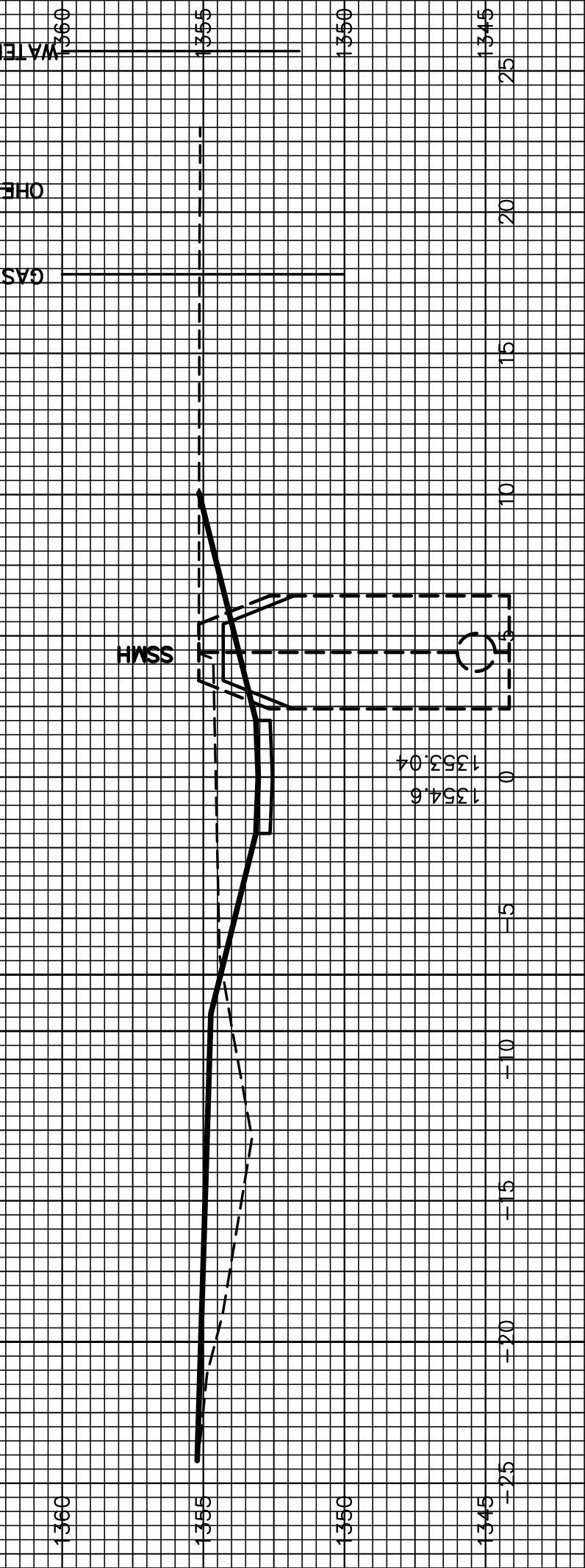
13+50



13+00



12+68



C/L 37th STREET NO.