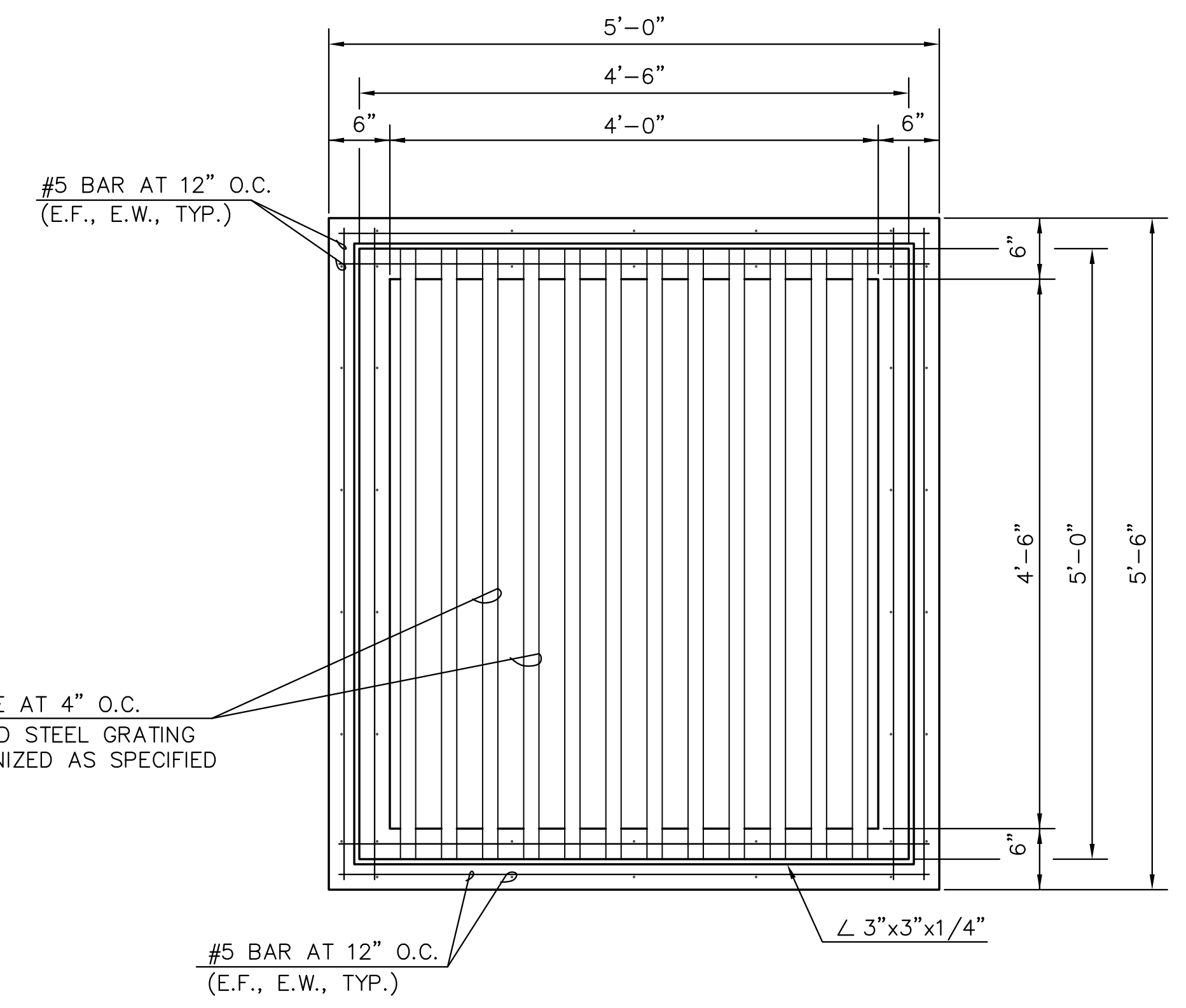


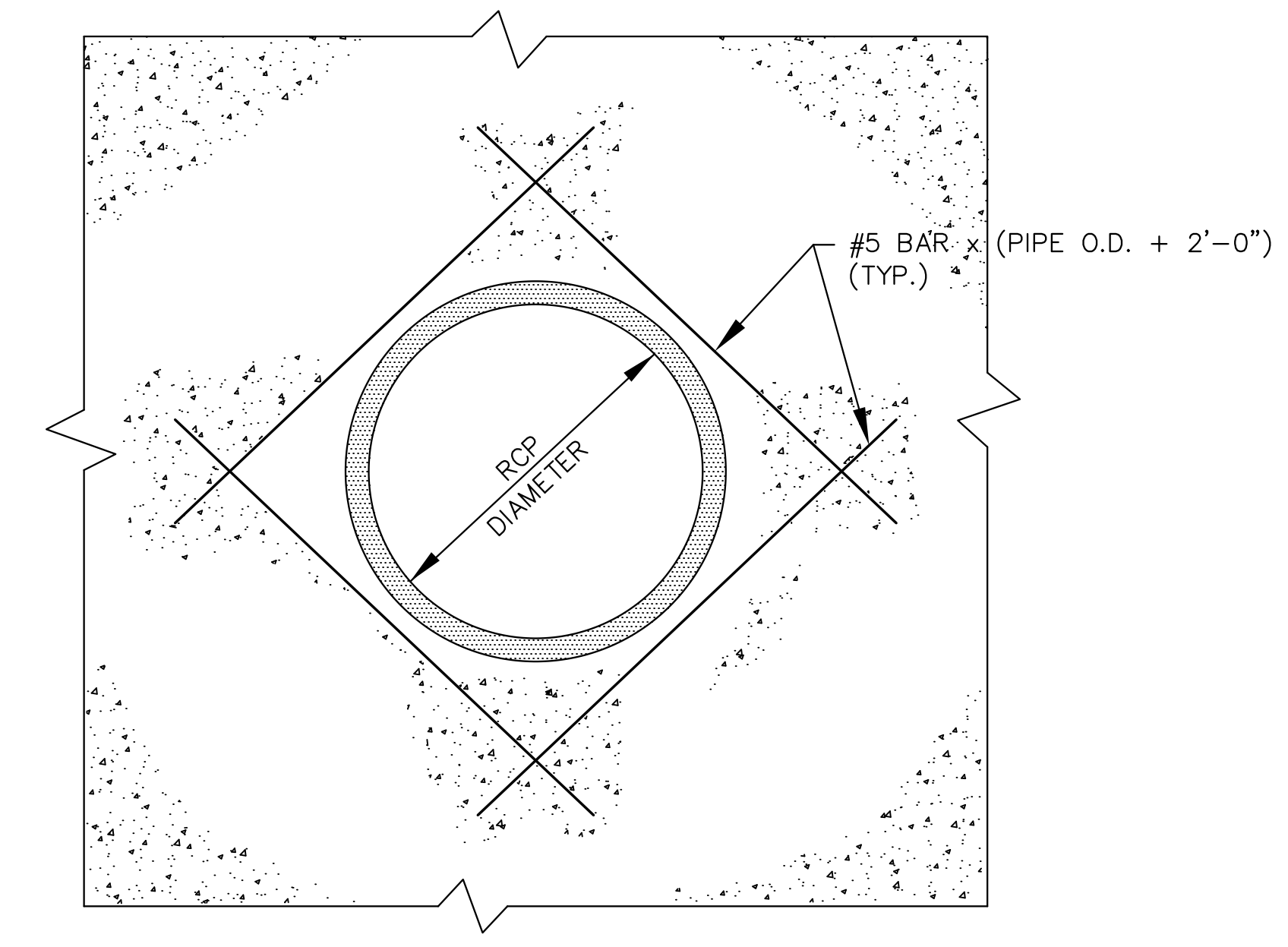
**STORM WATER SEWER NO. 662  
HAMPTON SQUARE SECOND**



PLAN VIEW

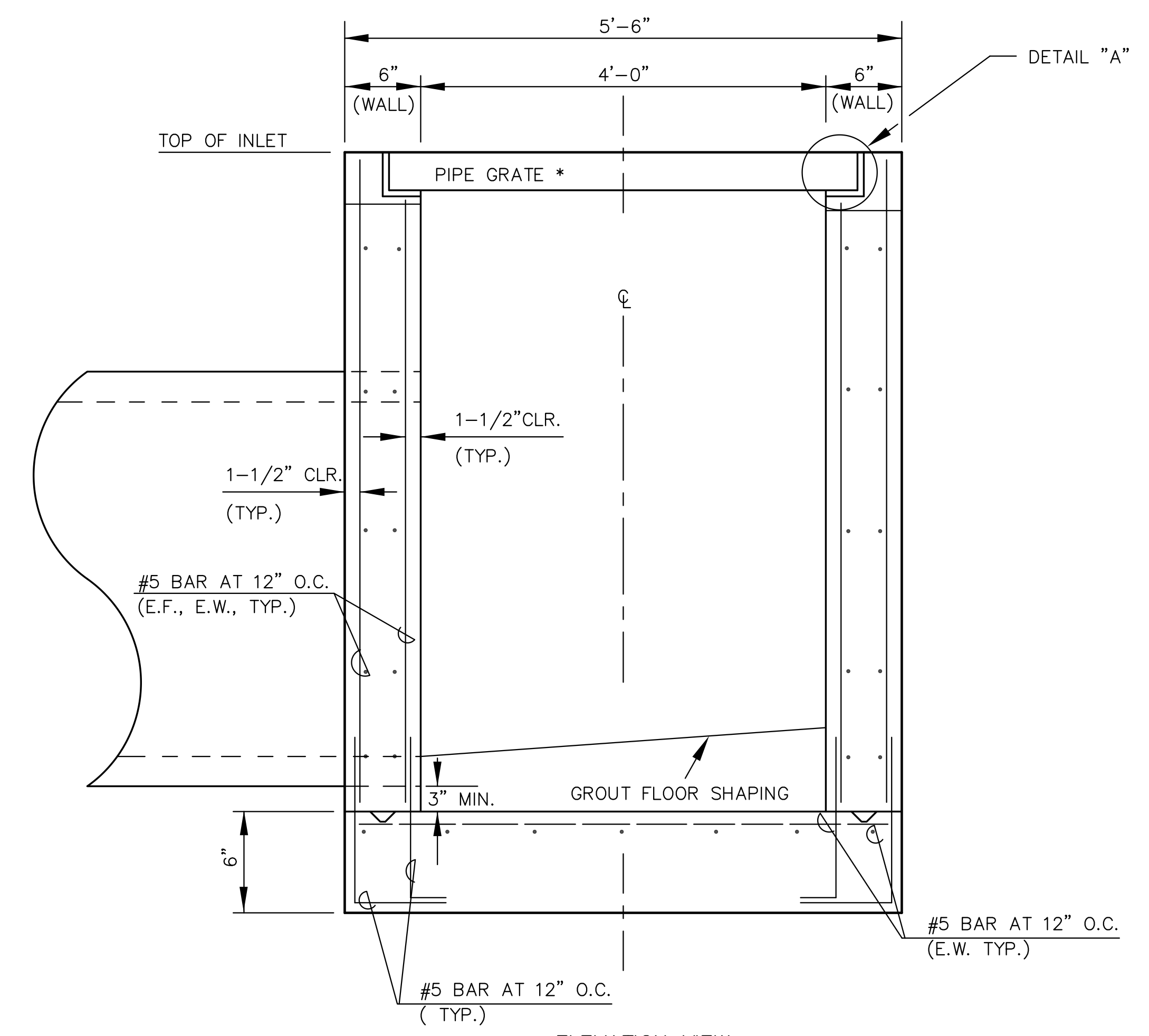
CONTRACTOR MAY SUBSTITUTE 8" BRICK WALL FOR 6" REINFORCED CONCRETE WALL.

1-1/2" STD. PIPE AT 4" O.C.  
(TYP.) FABRICATED STEEL GRATING SHALL BE GALVANIZED AS SPECIFIED BY ASTM A-123.



NOTE:  
CUT REINFORCING AS REQUIRED TO CLEAR RCP.

TYPICAL REINFORCING AT PIPE

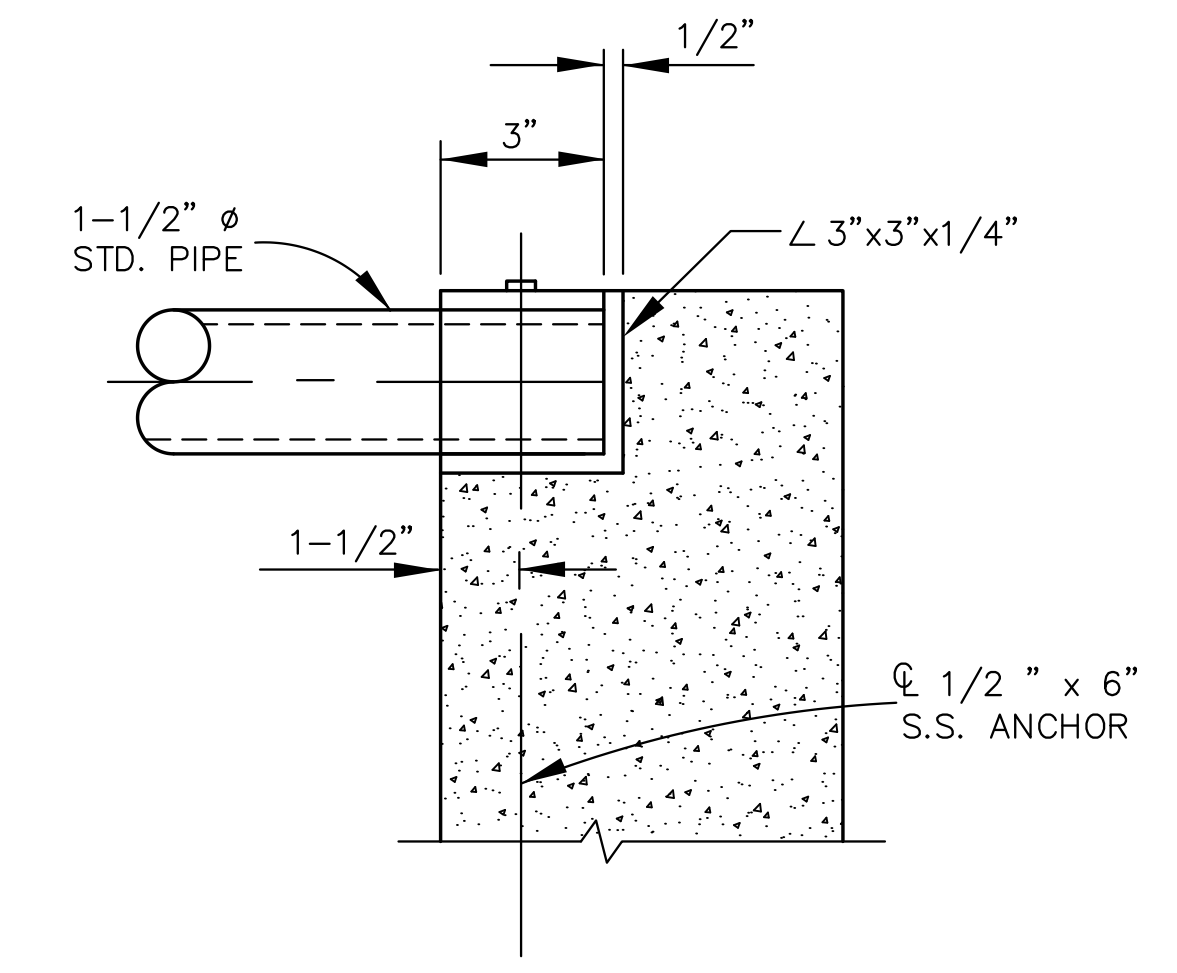


ELEVATION VIEW

**REINFORCED CONCRETE AREA INLET**

MATERIAL SPEC'S

- MORTAR - TYPE "M"
- BRICK - ASTM C62 GRADE MW
- STEEL - ASTM A36 OR EQUIVALENT
- GALV. - ASTM A-123 STDS.
- CONCRETE -  $F'_c = 4,000$  PSI MINIMUM WITH 6 SACKS OF CEMENT PER CUBIC YARD MINIMUM.



DETAIL "A"

ORIFICE EQUATION				
$Q = C \cdot A \cdot \sqrt{2gh}$				
h (DEPTH)	2g	C	A	Q
0.5	64.4	0.7	8.625	34.3 cfs
1.0	64.4	0.6	8.625	41.5 cfs
2.0	64.4	0.6	8.625	58.7 cfs
2.0	64.4	0.7	8.625	68.5 cfs
3.0	64.4	0.6	8.625	71.9 cfs
4.0	64.4	0.6	8.625	83.1 cfs
5.0	64.4	0.6	8.625	92.9 cfs
6.0	64.4	0.6	8.625	101.7 cfs
7.0	64.4	0.6	8.625	109.9 cfs
8.0	64.4	0.6	8.625	117.5 cfs

**AREA INLET  
DETAIL**  
SHEET TITLE  
**468-84773**  
PROJECT NUMBER

**DFL / DM / GJA**  
DESIGNED / DRAWN / CHECKED

ISSUED  
**November 2011**

REVISED

SHEET NO.  
**4 of 30**