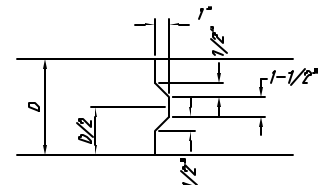
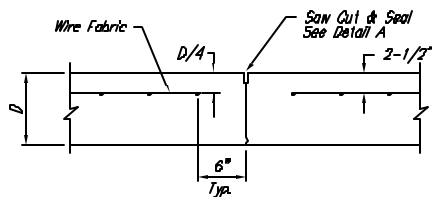


EXPANSION JOINT

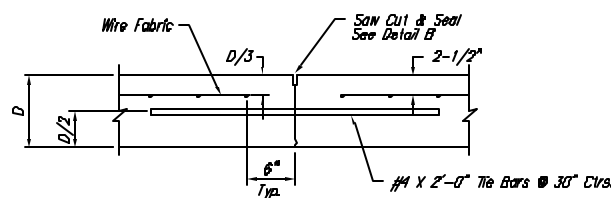
NOTE: Extra Thickness to be Subsidiary to Price of Square Yards Pavement



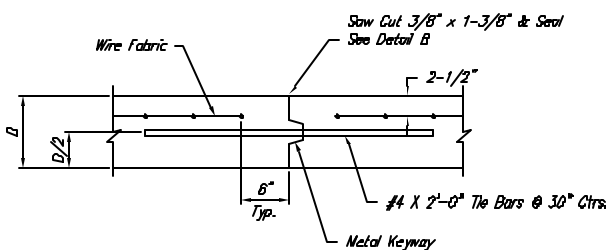
KEYWAY DETAIL



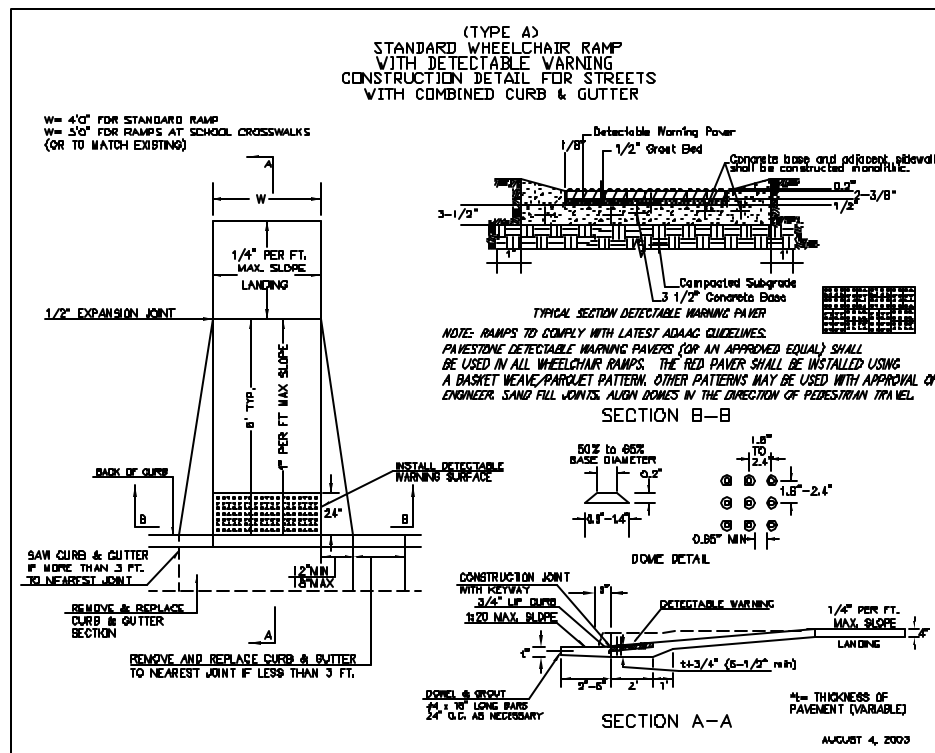
CONTRACTION JOINT DETAIL (C.J.)



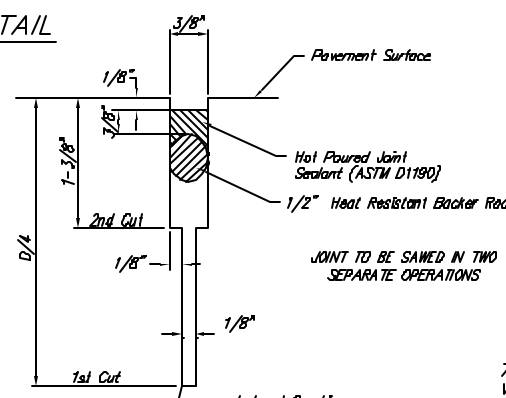
LONGITUDINAL JOINT DETAIL (L.J.)



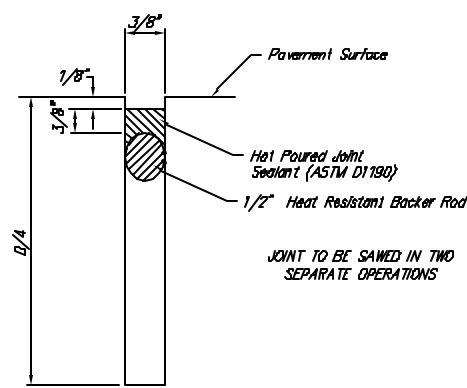
OPTIONAL LONGITUDINAL JOINT DETAIL (L.J.) (CONSTRUCTION JOINT)



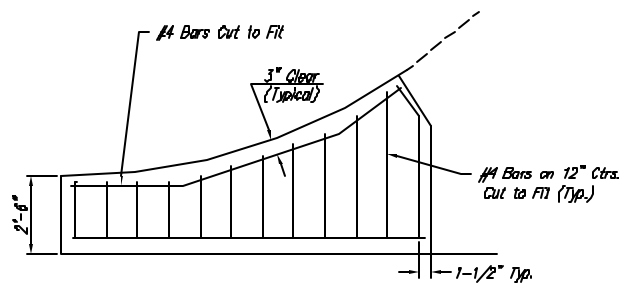
WHEELCHAIR RAMP DETAIL



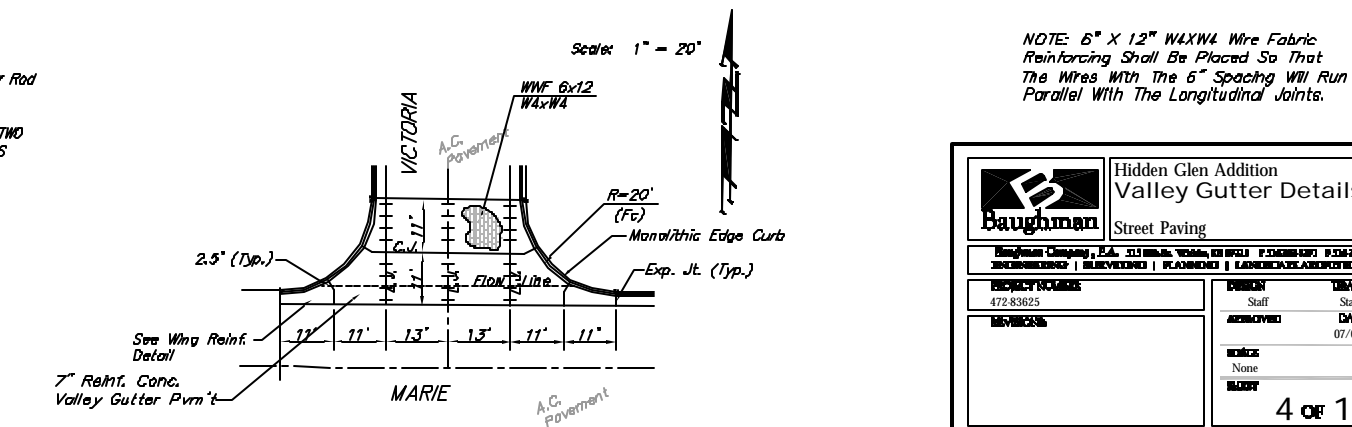
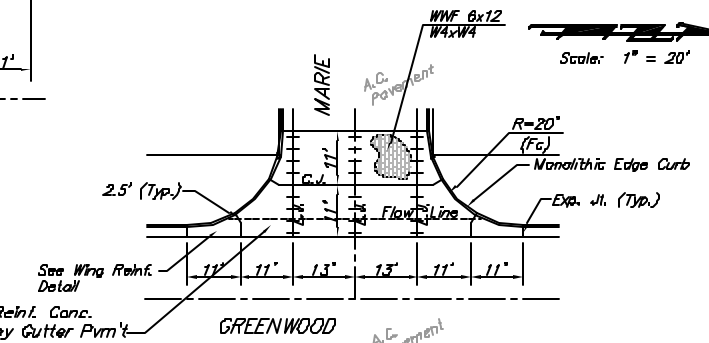
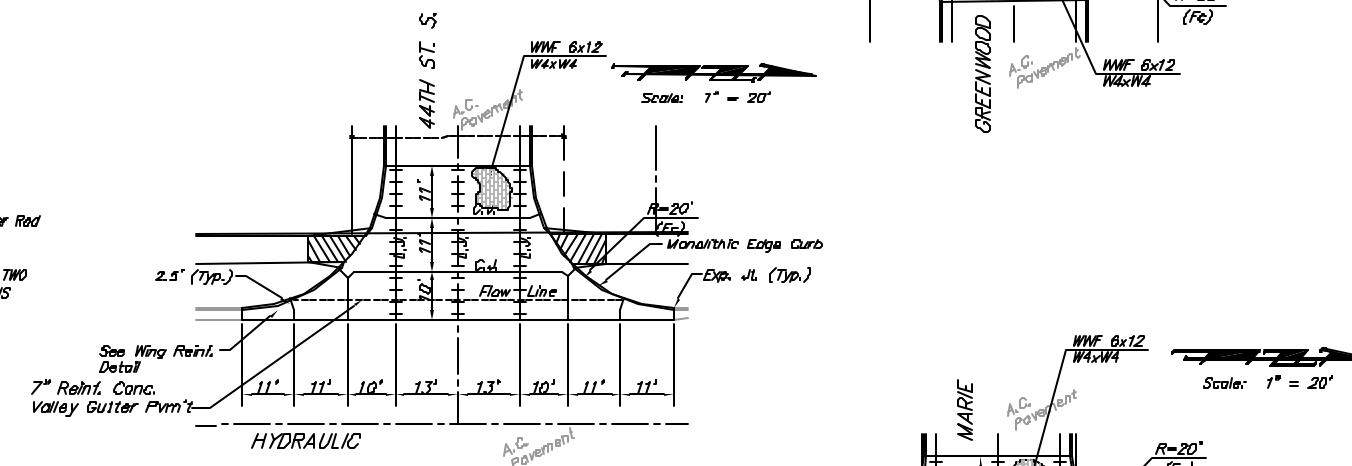
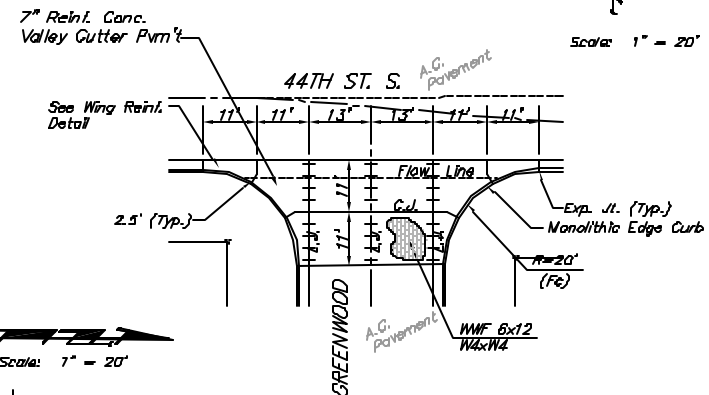
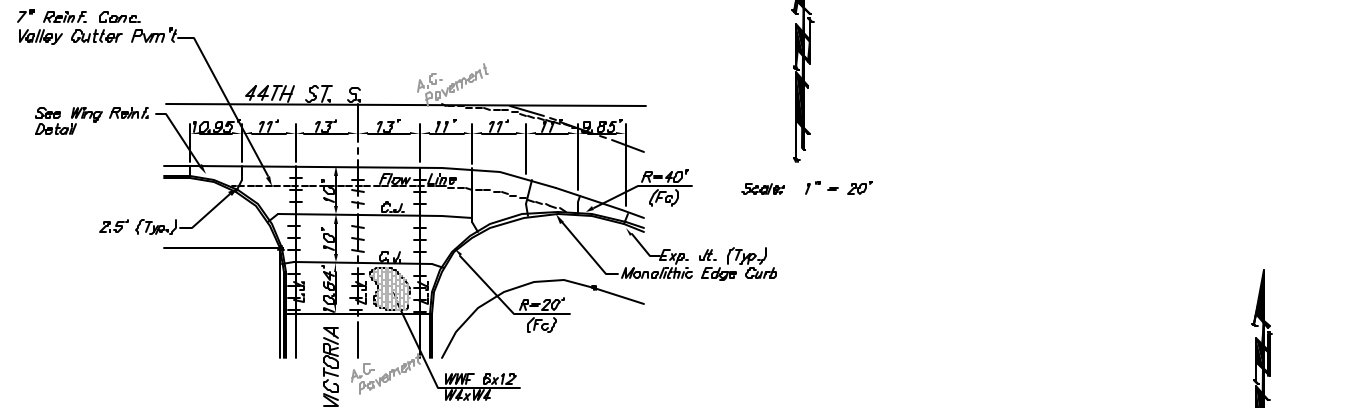
SAW JOINT DETAIL "A"



SAW JOINT DETAIL "B"



WING REINFORCING DETAIL



NOTE: 6" X 12" W4XW4 Wire Fabric Reinforcing Shall Be Placed So That The Wires With The 6" Spacing Will Run Parallel With The Longitudinal Joints.

<b>Baughman</b>		Hidden Glen Addition Valley Gutter Details Street Paving	
Baughman Company, Inc. 515 South Victoria, Suite 1000, Phoenix, AZ 85004 PHOENIX   ALBUQUERQUE   FLAGSTAFF   TUCSON   LAS VEGAS			
PROJECT NUMBER 472-83625	DATE 07/04	DESIGNER None	SCALE AS SHOWN
4 of 19			