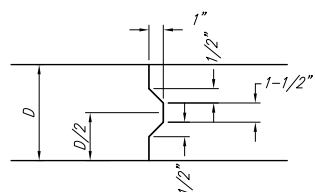
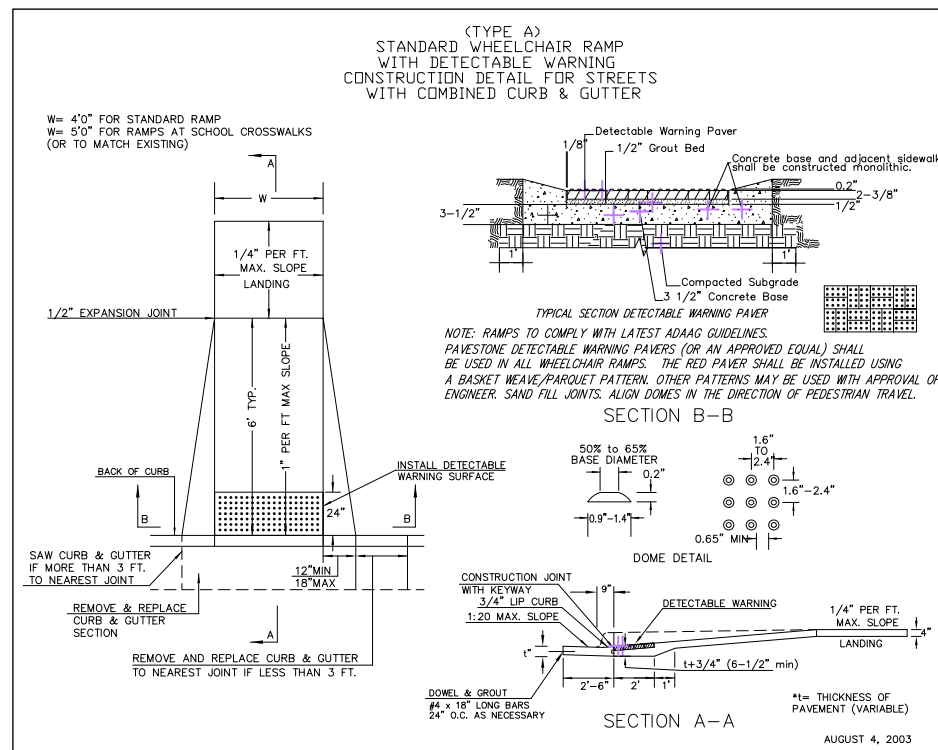


EXPANSION JOINT

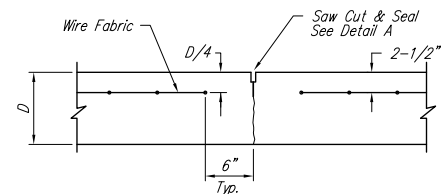
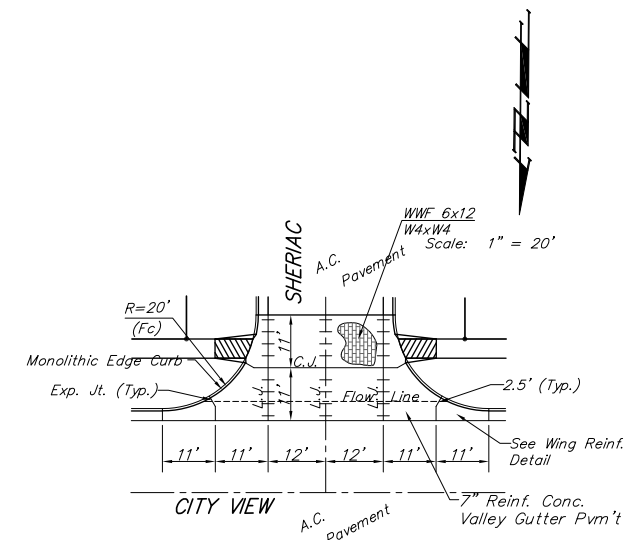
NOTE: Extra Thickness to be Subsidiary to Price of Square Yards Pavement



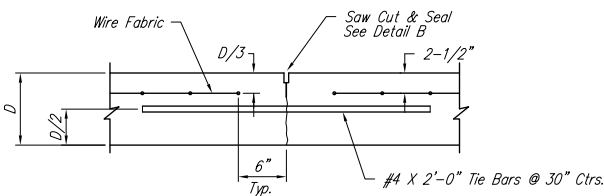
KEYWAY DETAIL



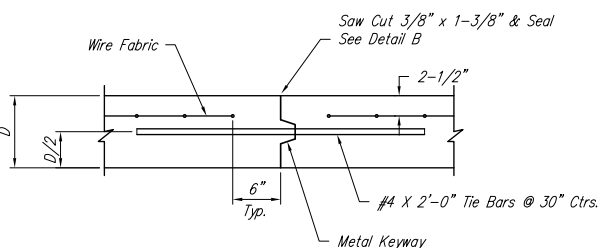
WHEELCHAIR RAMP DETAIL



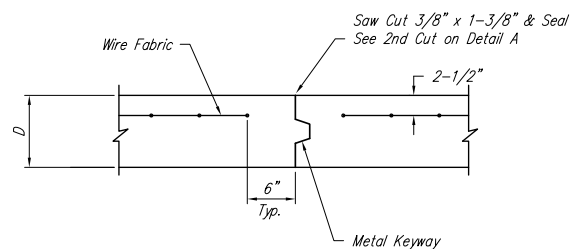
CONTRACTION JOINT DETAIL (C.J.)



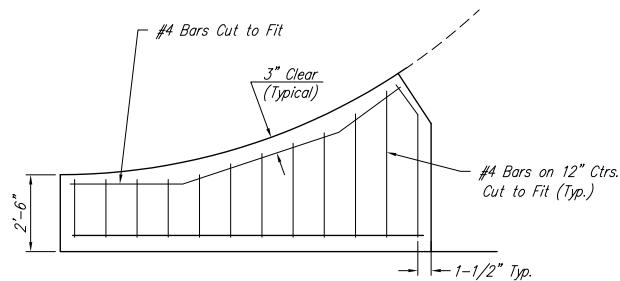
LONGITUDINAL JOINT DETAIL (L.J.)



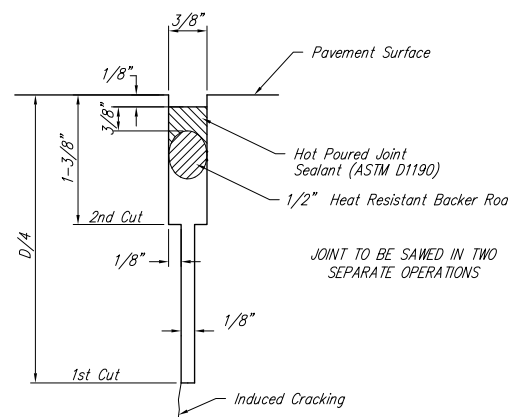
OPTIONAL LONGITUDINAL JOINT DETAIL (L.J.) (CONSTRUCTION JOINT)



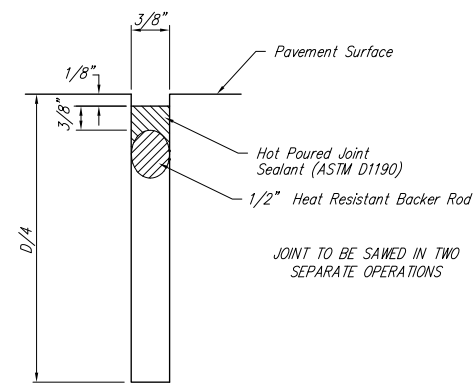
OPTIONAL CONTRACTION JOINT (CONSTRUCTION JOINT)



WING REINFORCING DETAIL



SAW JOINT DETAIL "A"



SAW JOINT DETAIL "B"

NOTE: 6" X 12" W4XW4 Wire Fabric Reinforcing Shall Be Placed So That The Wires With The 6" Spacing Will Run Parallel With The Longitudinal Joints.

		VALLEY GUTTER DETAILS	
<small>Baughman Company, P.A. 315 Ellis St. Wichita, KS 67211 P 316-363-2271 F 316-363-0149 ENGINEERING SURVEYING PLANNING LANDSCAPE ARCHITECTURE</small>			
PROJECT NUMBER 472-83759	DESIGN STAFF	DRAWN STAFF	DATE
REVISIONS:	APPROVED	NONE	05/04
	SCALE	NONE	
	SHEET	5 OF 32	
/Vgdetail		04-04-E873	