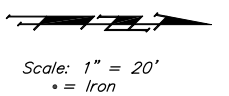


BENCHMARKS:

"□" Cut in Headwall east side of driveway South R/W Maple, 245' West of centerline of City View. Elev. = 201.41 (City Datum)

"□" Cut center of north Headwall of RCBC in N. R/W of Maple 570' East of centerline of City View. Elev. = 187.91 (City Datum)



Regrade ditch to ensure positive drainage in 100'.

CAUTION!
Existing 6" Aquila gas line crossing. Contact Calvin Briggs at 941-1608 at least 72 hours prior to construction.

Construct 43 L.F. Concrete Flume (86 L.F. Total)(Both sides) (See detail this sheet) Cost of Concrete Flume to be included in bid item "Site Clearing & Restoration."

Construct 5" A.C. Mat Pavement W/ 5" Reinf. Rock Base.

Sta 0+60.00, 23' Lt. Install R1-1 (Stop) sign.

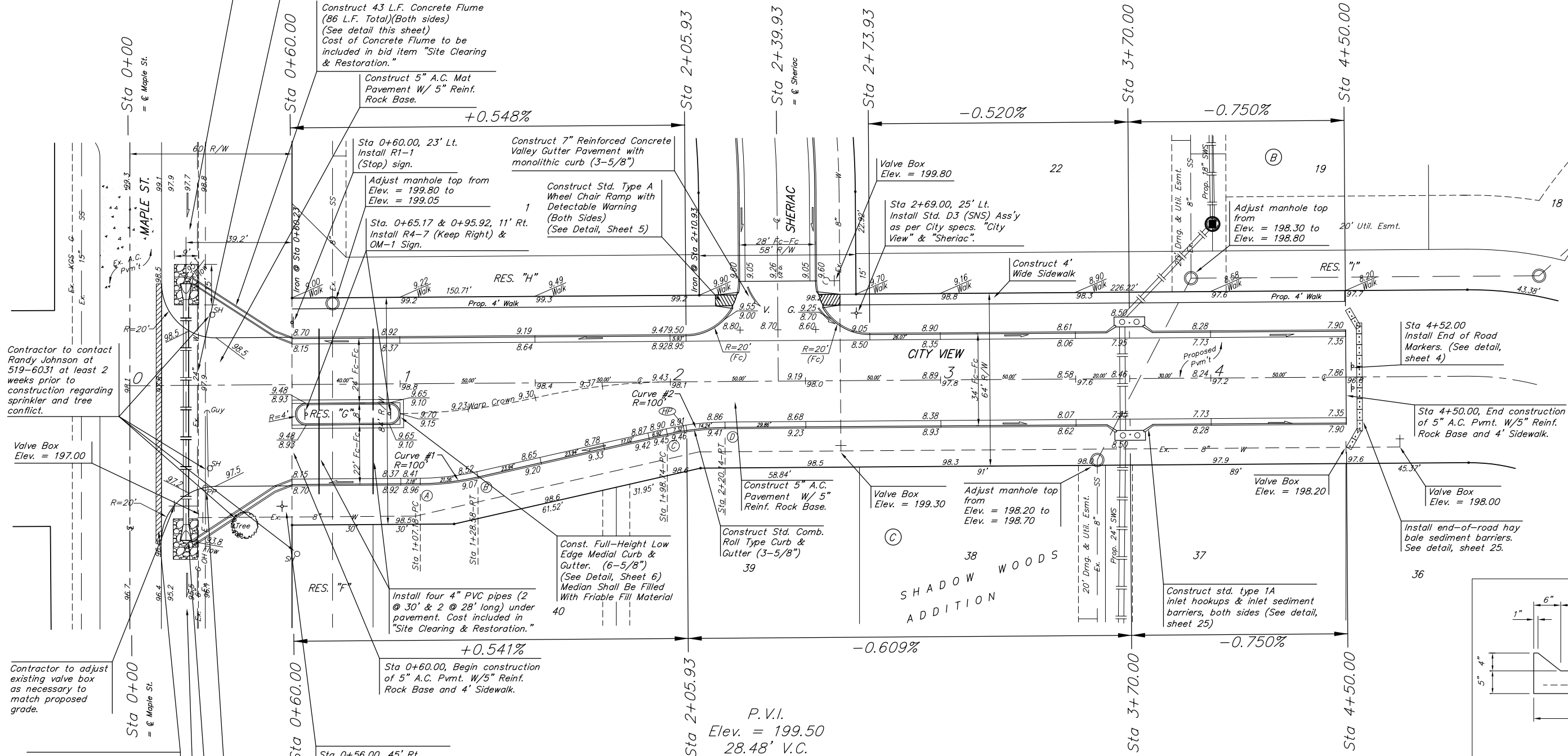
Adjust manhole top from Elev. = 199.80 to Elev. = 199.05

Sta. 0+65.17 & 0+95.92, 11' Rt. Install R4-7 (Keep Right) & OM-1 Sign.

Construct 7" Reinforced Concrete Valley Gutter Pavement with monolithic curb (3-5/8")

Construct Std. Type A Wheel Chair Ramp with Detectable Warning (Both Sides) (See Detail, Sheet 5)

P.V.I.
Elev. = 198.50
No V.C.



Contractor to contact Randy Johnson at 519-6031 at least 2 weeks prior to construction regarding sprinkler and tree conflict.

Valve Box Elev. = 197.00

Contractor to adjust existing valve box as necessary to match proposed grade.

Saw, cut, remove and replace 2' existing pavement as shown. To be incidental to "Site Clearing & Restoration".

Regrade ditch to ensure positive drainage in 200'.

Install 95.0 L.F. 24" RCP W/ end sections. Install 15.0 S.Y. Light Stone Rip-rap as indicated (each side).

Power pole & down guy to be relocated 40' east by street contractor. Contact Reed Holbrook of Westar Energy at 261-6360 to coordinate relocation. Contractor to reimburse Westar Energy \$3,862.09 for cost of relocation (reimbursement cost to be incidental to "Site Clearing & Restoration".)

Sta 0+56.00, 45' Rt. Install Std. D3 (SNS) Ass'y as per City specs. "Maple (200 W)" & "City View (14300 S)".

Install four 4" PVC pipes (2 @ 30' & 2 @ 28' long) under pavement. Cost included in "Site Clearing & Restoration."

Sta 0+60.00, Begin construction of 5" A.C. Pvm't. W/5" Reinf. Rock Base and 4' Sidewalk.

Const. Full-Height Low Edge Medial Curb & Gutter. (6-5/8") (See Detail, Sheet 6) Median Shall Be Filled With Friable Fill Material

Construct 5" A.C. Pavement W/ 5" Reinf. Rock Base.

Construct Std. Comb. Roll Type Curb & Gutter (3-5/8")

Valve Box Elev. = 199.30

Adjust manhole top from Elev. = 198.20 to Elev. = 198.70

Valve Box Elev. = 198.20

Install end-of-road hay bale sediment barriers. See detail, sheet 25.

Construct std. type 1A inlet hookups & inlet sediment barriers, both sides (See detail, sheet 25)

Sta 4+52.00 Install End of Road Markers. (See detail, sheet 4)

Sta 4+50.00, End construction of 5" A.C. Pvm't. W/5" Reinf. Rock Base and 4' Sidewalk.

Curve #1
Curve Data Based on Centerline
Rad. = 100' Delta = 12° 21' 20" Tangent = 10.82'
Arc = 21.56' L.C. = 21.52' Def/Ft. = 17.19233 Min.

Station	Arc	FACE CHORD LENGTHS	Def.	T.
A	-	-	0'00"00"	0'00"00"
B	21.56'	22.81'	6'10"40"	6'10"40"

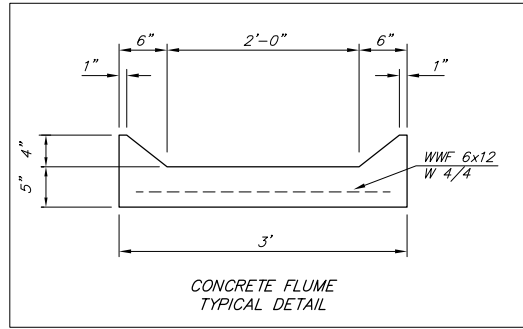
Curve #2
Curve Data Based on Centerline
Rad. = 100' Delta = 12° 21' 20" Tangent = 10.82'
Arc = 21.56' L.C. = 21.52' Def/Ft. = 17.19233 Min.

Station	Arc	FACE CHORD LENGTHS	Def.	T.
C	-	-	0'00"00"	0'00"00"
D	21.56'	20.23'	6'10"40"	6'10"40"

P.V.I.
Elev. = 199.50
28.48' V.C.

P.V.I.
Elev. = 198.50
No V.C.

NOTE: ROLL TYPE CURB & GUTTER TO BE CONSTRUCTED ON THE PAVEMENT SHOWN ON THIS SHEET. TOP OF CURB ELEVATIONS ARE GIVEN FOR FULL HEIGHT CURB.



Baughman SHADOW WOODS ADD. - PH IV
CITY VIEW
STA 0+00 TO STA 4+50.00

PROJECT NUMBER: 472-83759
DESIGN: TMS
DRAWN: TMS
DATE: 07/04
APPROVED: [Signature]
SCALE: Noted
SHEET: 7 OF 32

ShadowWoods/Str1 04-04-E873