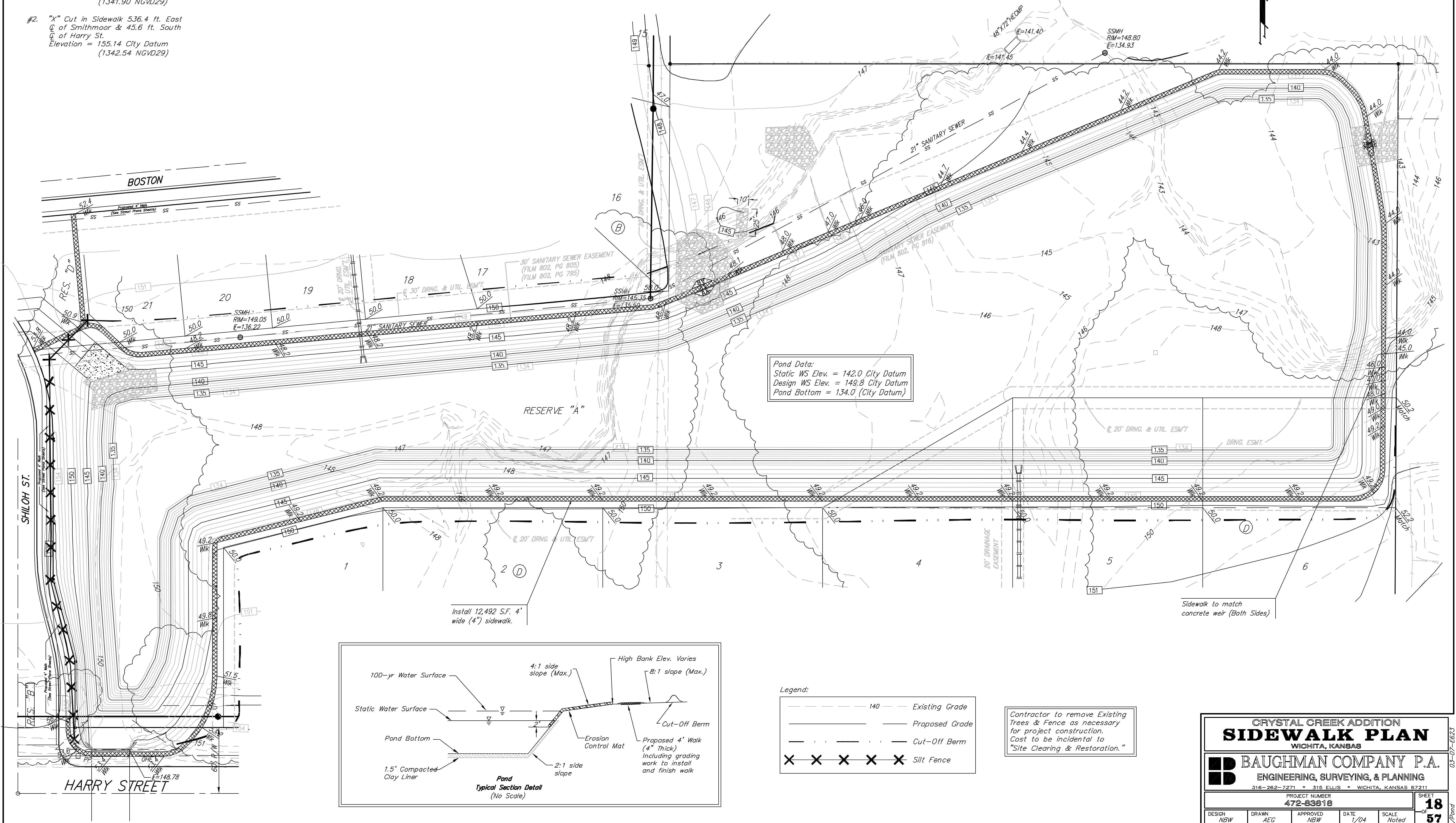


**BENCHMARK:**

- #1. "X" Cut in Sidewalk 519.7 ft. East & 34.0 ft. South of SW Cor. SE 1/4, Sec. 28, Twp. 27-S, R-2, E. Elevation = 154.50 City Datum (1341.90 NGVD29)
- #2. "X" Cut in Sidewalk 536.4 ft. East of Smithmoor & 45.6 ft. South of Harry St. Elevation = 155.14 City Datum (1342.54 NGVD29)

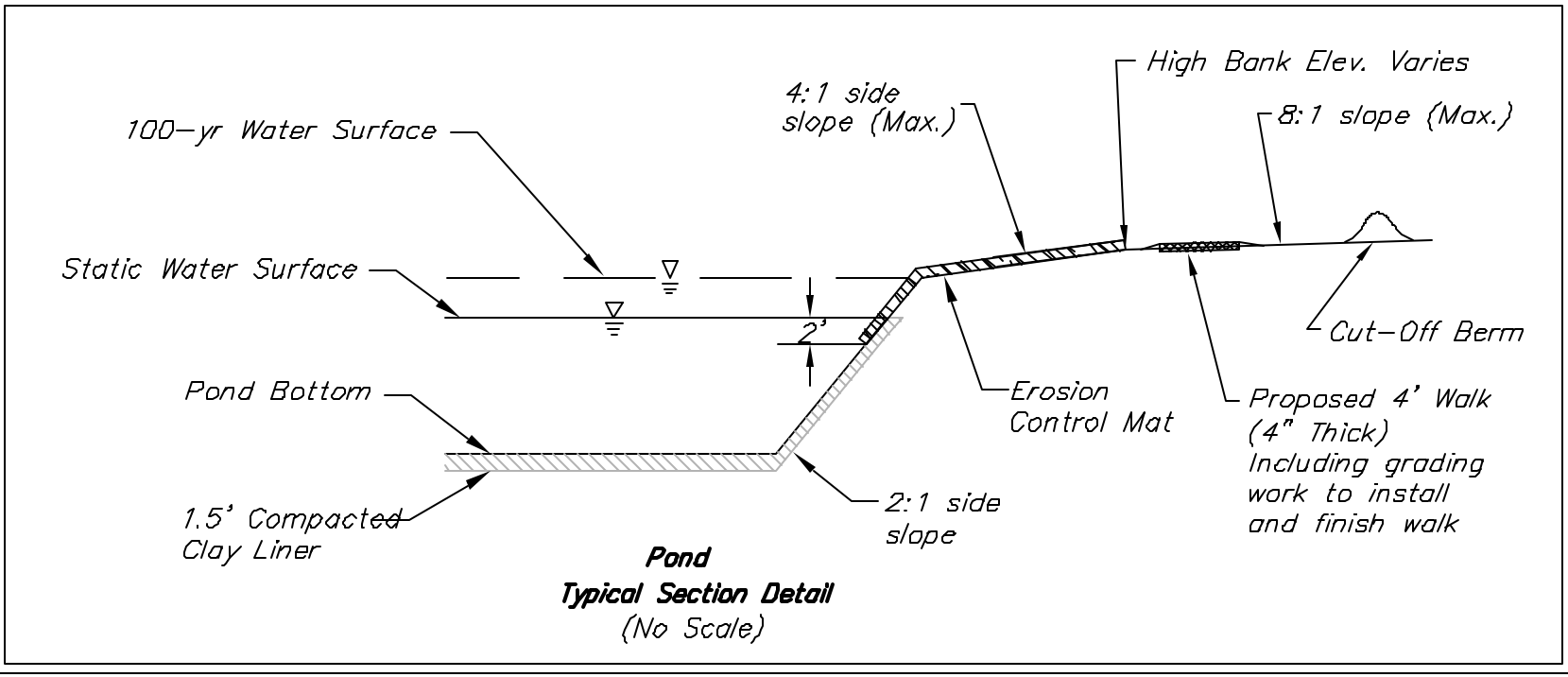
SCALE: 1" = 40'  
● = Iron



Pond Data:  
Static WS Elev. = 142.0 City Datum  
Design WS Elev. = 149.8 City Datum  
Pond Bottom = 134.0 (City Datum)

Install 12,492 S.F. 4' wide (4") sidewalk.

Sidewalk to match concrete weir (Both Sides)



Legend:

- Existing Grade
- Proposed Grade
- - - - - Cut-Off Berm
- X X X X X Silt Fence

Contractor to remove Existing Trees & Fence as necessary for project construction. Cost to be incidental to "Site Clearing & Restoration."

**CRYSTAL CREEK ADDITION**  
**SIDEWALK PLAN**  
WICHITA, KANSAS

**BAUGHMAN COMPANY P.A.**  
ENGINEERING, SURVEYING, & PLANNING  
316-262-7271 • 316 ELLIS • WICHITA, KANSAS 67211

PROJECT NUMBER: **472-83818**

DESIGN: NGW	DRAWN: AEG	APPROVED: NGW	DATE: 1/04	SCALE: Noted	SHEET: <b>18</b>
					OF: <b>57</b>