

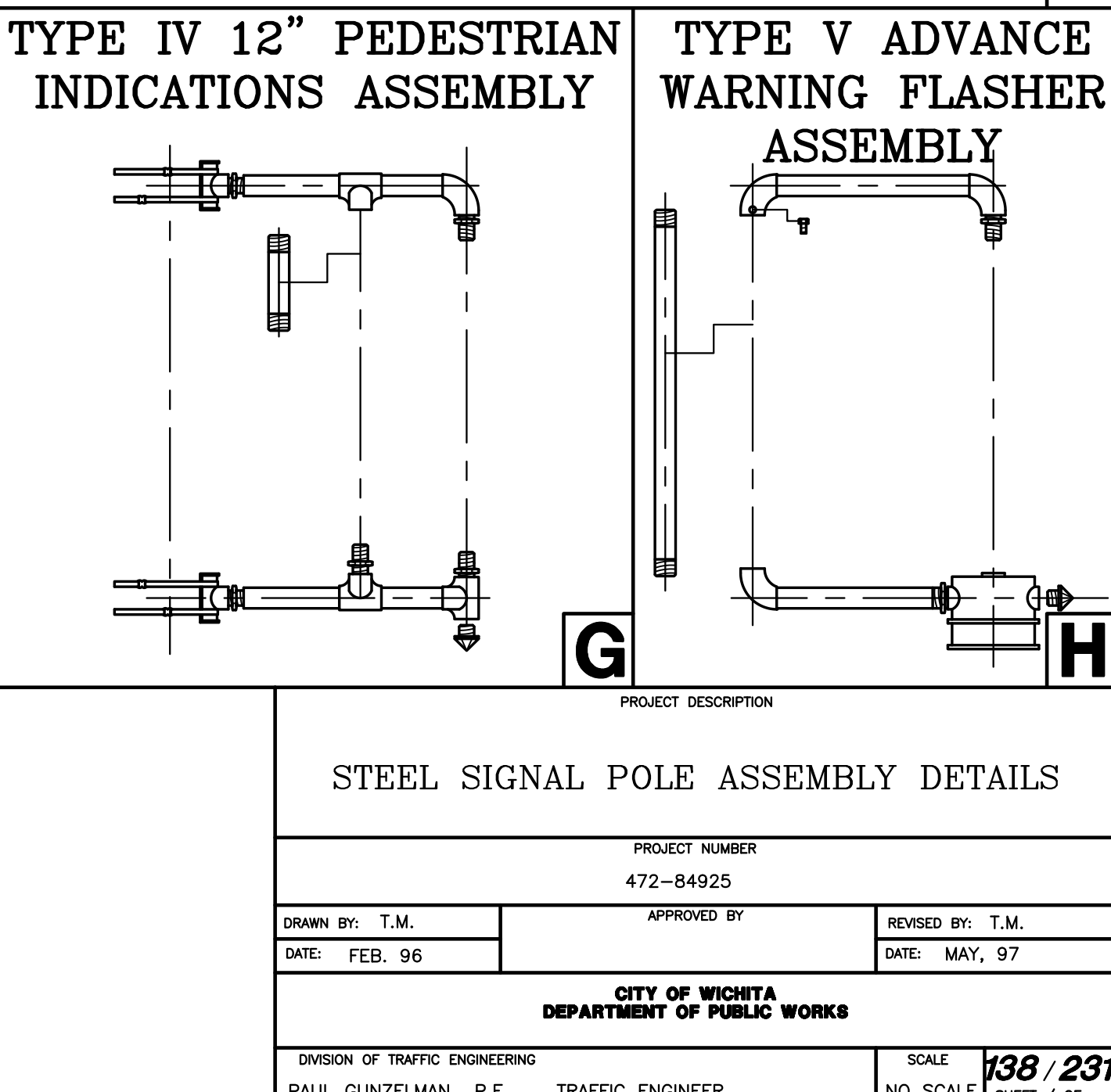
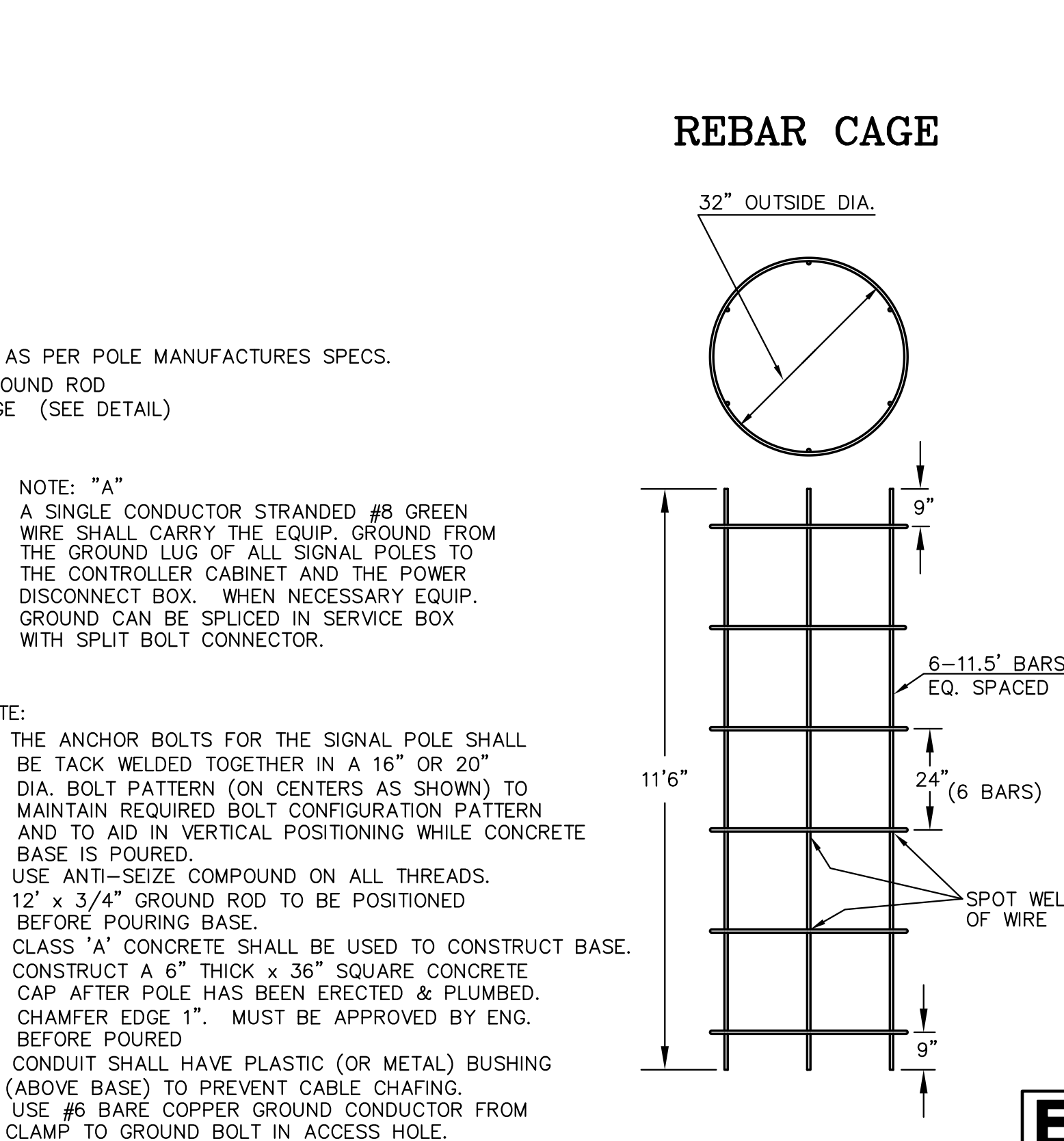
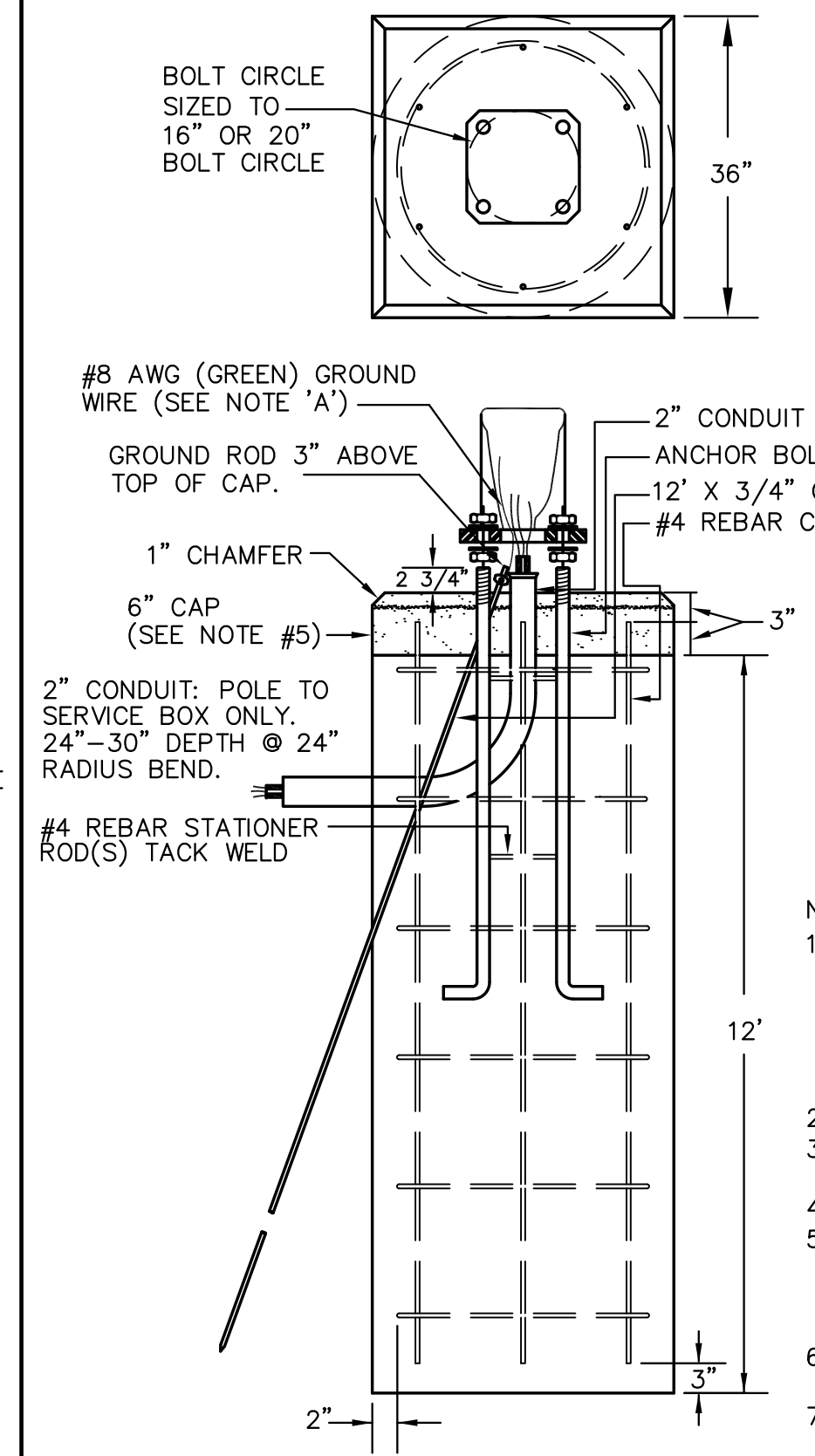
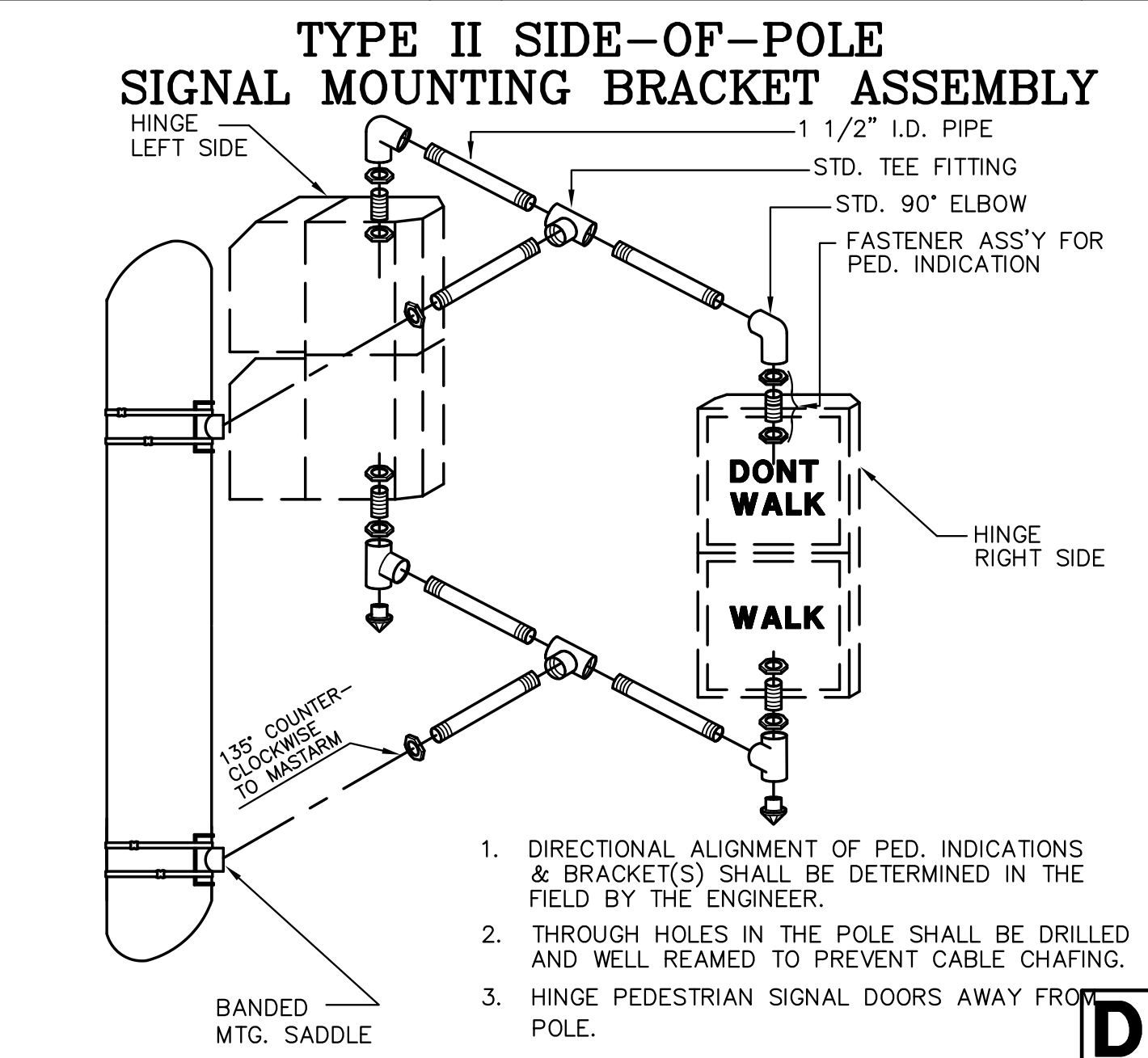
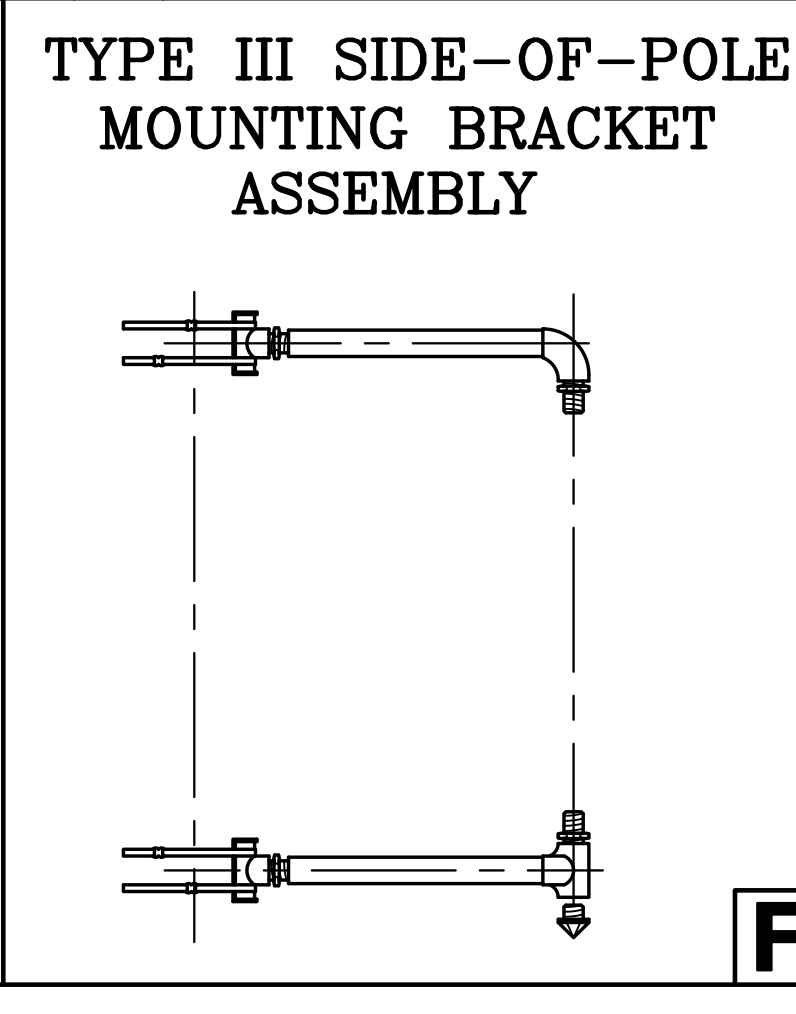
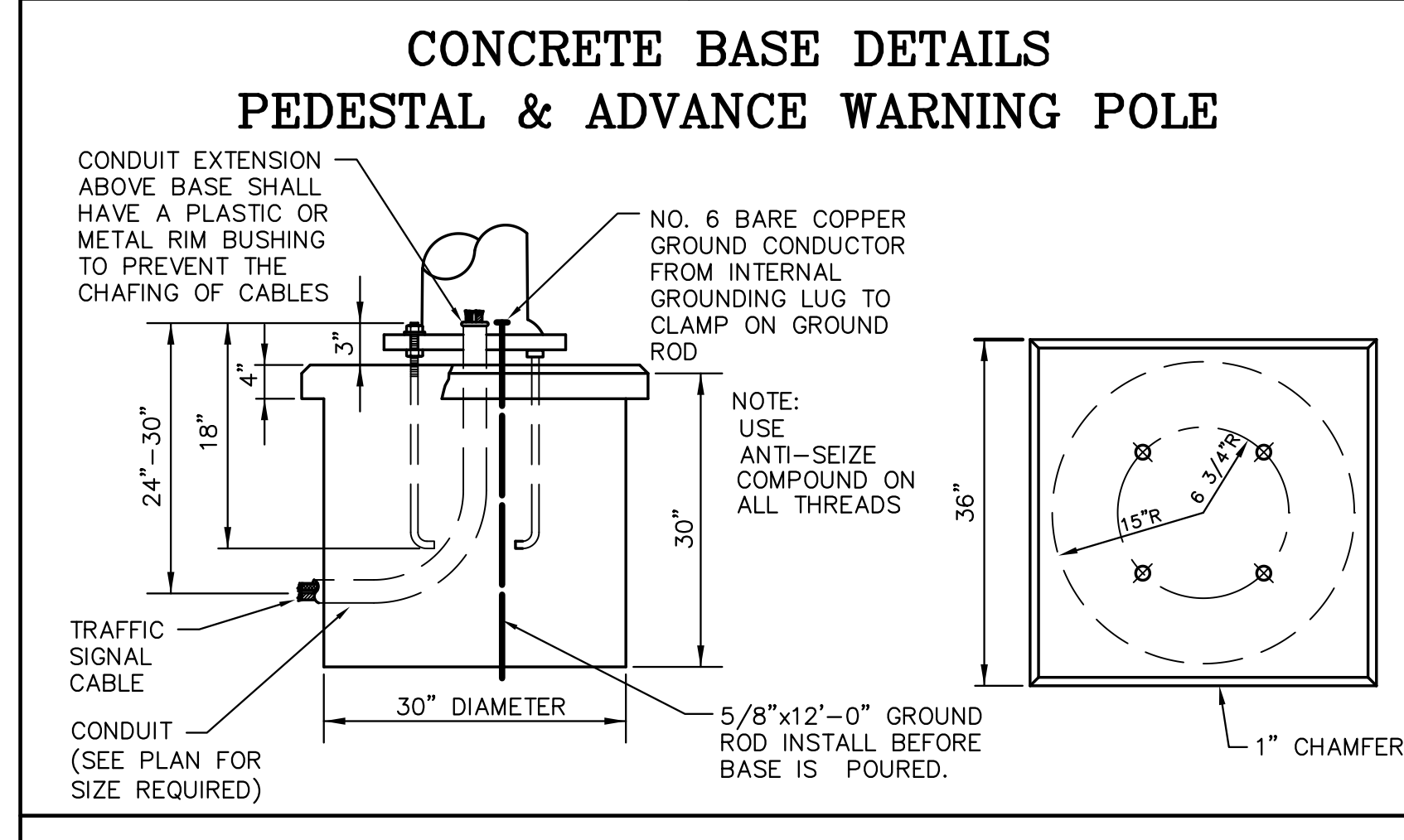
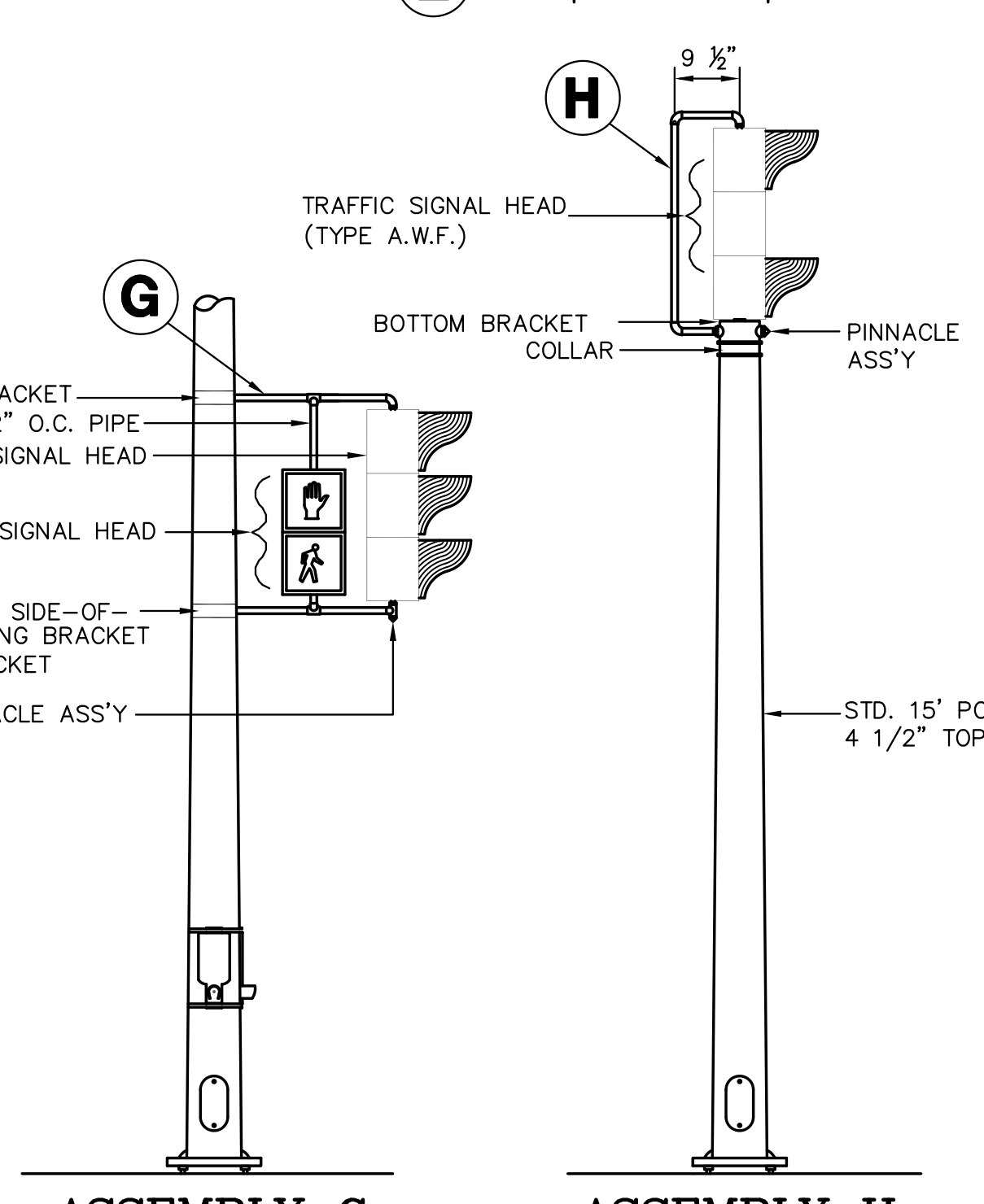
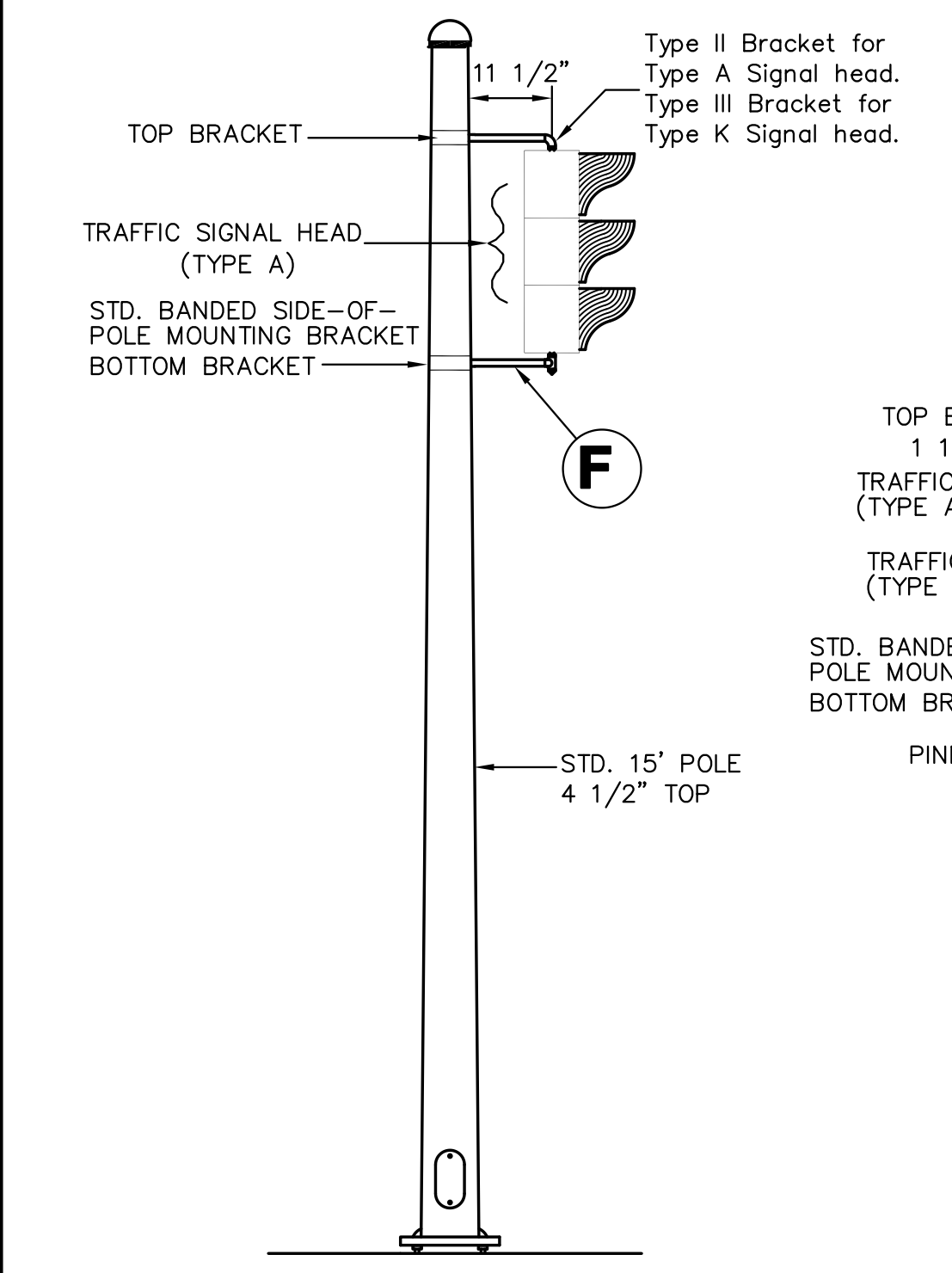
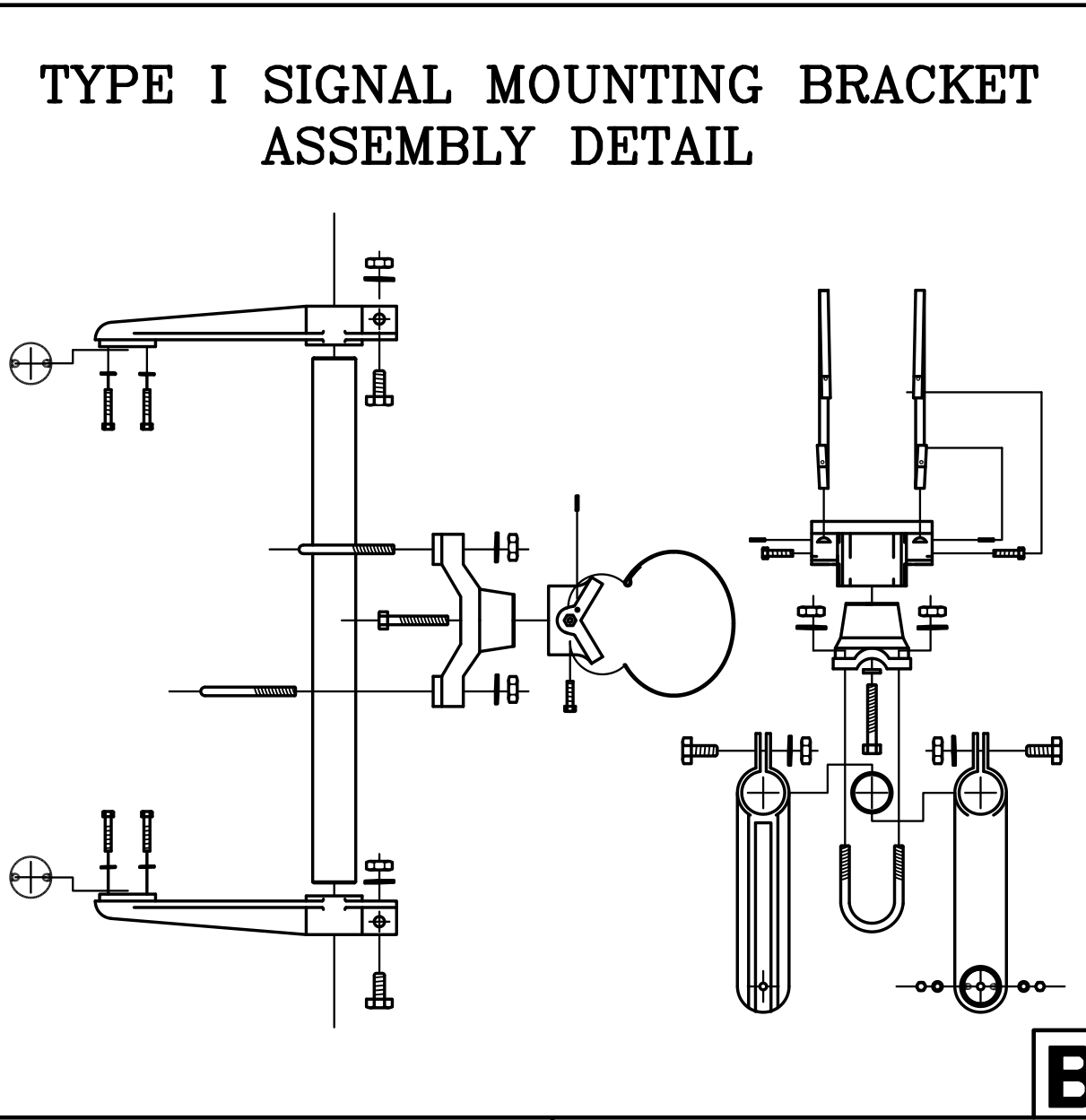
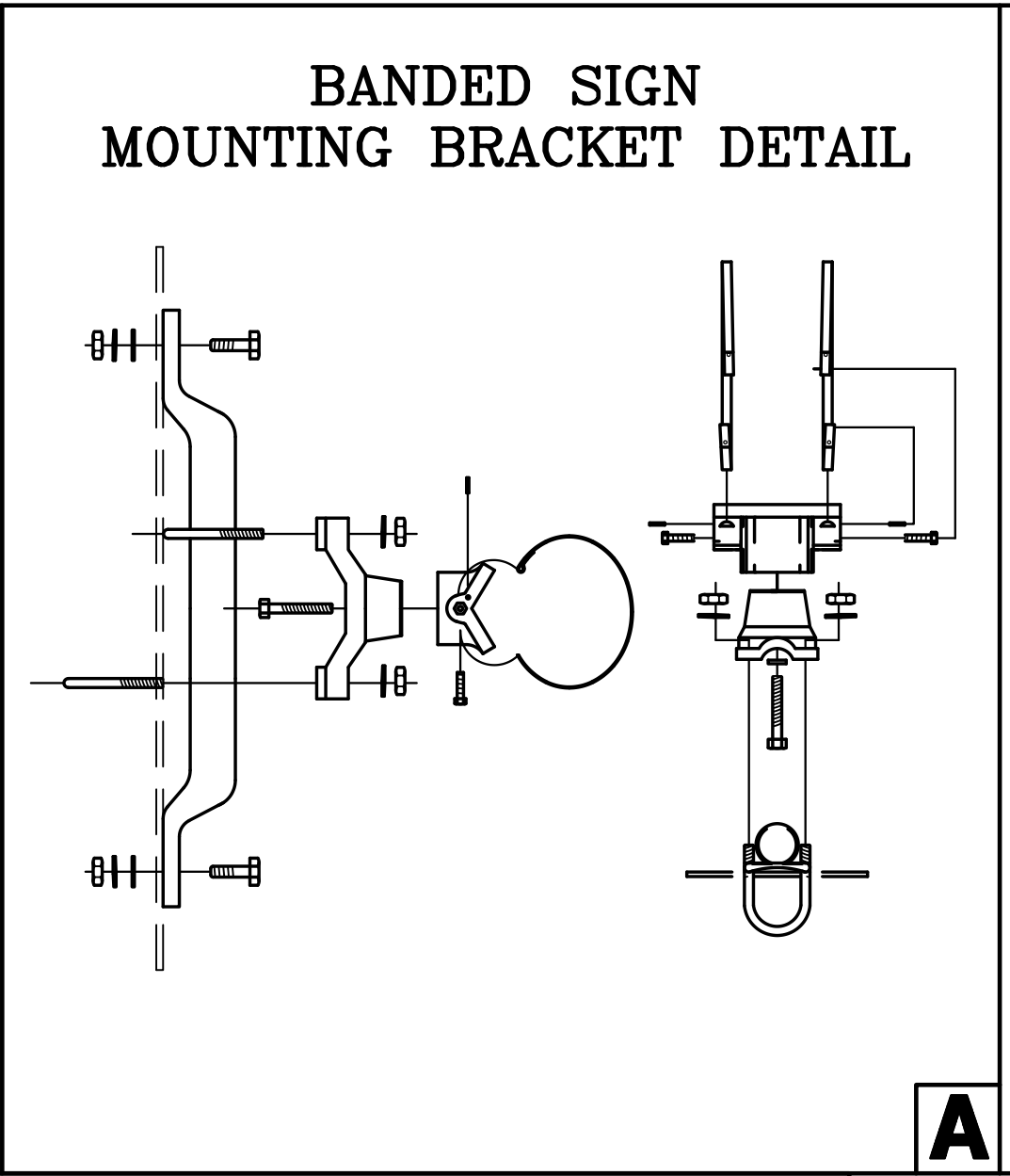
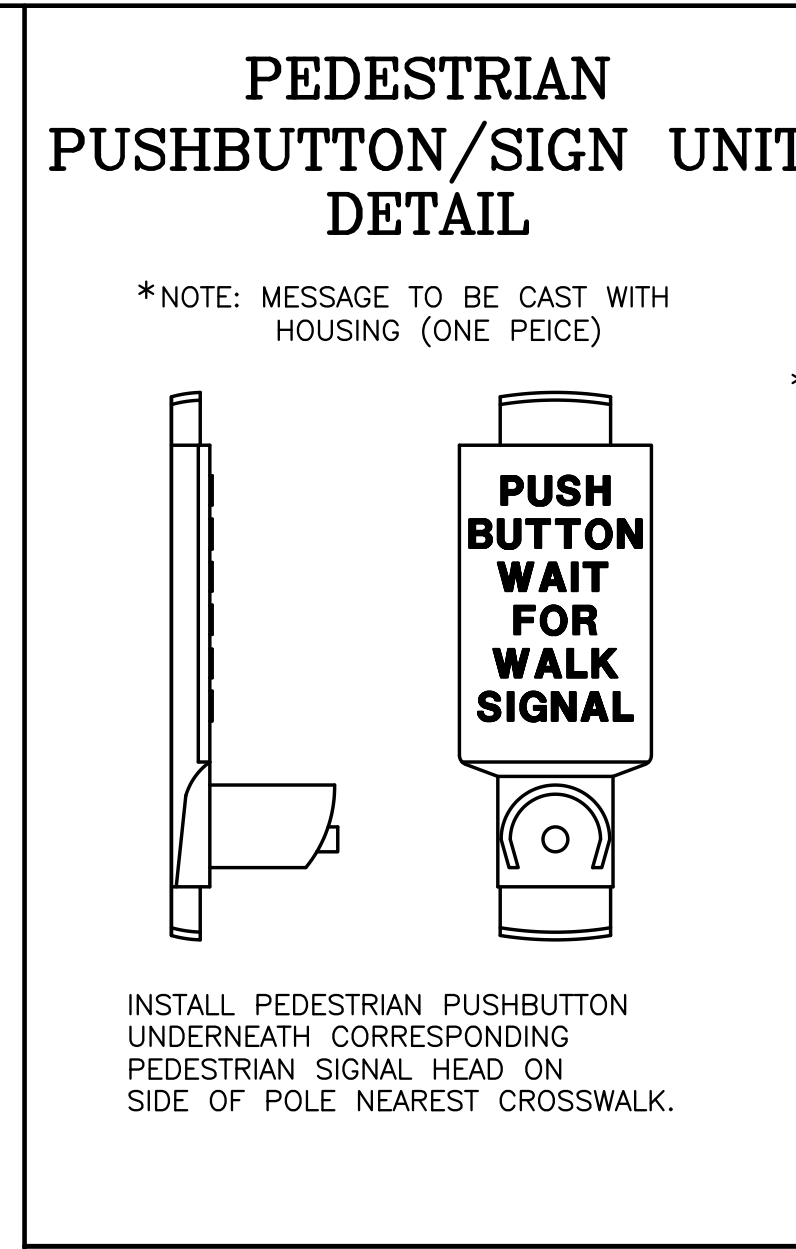
NOTE:

SPECIAL FINISH FOR TRAFFIC SIGNAL STRUCTURES: ALL EXTERIOR SURFACES ARE COATED WITH A ZINC RICH EPOXY POWDER TO A MINIMUM DRY FILM THICKNESS OF 2.0 MILS. THE COATING IS ELECTROSTATICALLY APPLIED AND PARTIALLY CURED IN A GAS FIRED CONVECTION OVEN BY HEATING THE STEEL SUBSTRATE TO A MINIMUM OF 250 DEGREES FAHRENHEIT.

THE POWDER PRIMED SURFACE IS COATED WITH AN INTERMEDIATE COAT OF POLYESTER POWDER TO A MINIMUM DRY FILM THICKNESS OF 2.0 MILS. THE COATING IS ELECTROSTATICALLY APPLIED AND CURED BY HEATING THE SUBSTRATE IN A CONVECTION OVEN TO A MINIMUM OF 350 DEGREES AND A MAXIMUM OF 400 DEGREES FAHRENHEIT.

THE INTERMEDIATE COAT IS TOP COATED WITH ONE COAT OF HIGH-BUILD ACRYLIC POLYURETHANE ENAMEL TO A MINIMUM DRY FILM THICKNESS OF 2.0 MILS. THE COATING IS ELECTROSTATICALLY APPLIED AND CURED BY HEATING THE SUBSTRATE IN A CONVECTION OVEN TO A MINIMUM OF 225 DEGREES FAHRENHEIT. THE FINAL TOP COATING COLOR SHALL BE BLACK.

THE COLOR OF EXTERIOR SURFACE OF ALL STRUCTURES, POLES, SIGNAL HEADS, BRACKETS, EQUIPMENT, CABINETS, COVERS, PANELS AND COMPONENTS SHALL BE MATCHING BLACK, UNLESS OTHERWISE NOTED.



STEEL SIGNAL POLE ASSEMBLY DETAILS

PROJECT NUMBER
472-84925

DRAWN BY: T.M. APPROVED BY: REVISOR BY: T.M.
DATE: FEB. 96 DATE: MAY, 97

CITY OF WICHITA
DEPARTMENT OF PUBLIC WORKS

DIVISION OF TRAFFIC ENGINEERING
PAUL GUNZELMAN P.E. TRAFFIC ENGINEER

SCALE
NO SCALE

138 / 231
SHEET / OF