



STREET IMPROVEMENTS FOR
135th Street West
from 13th Street to 21st Street North

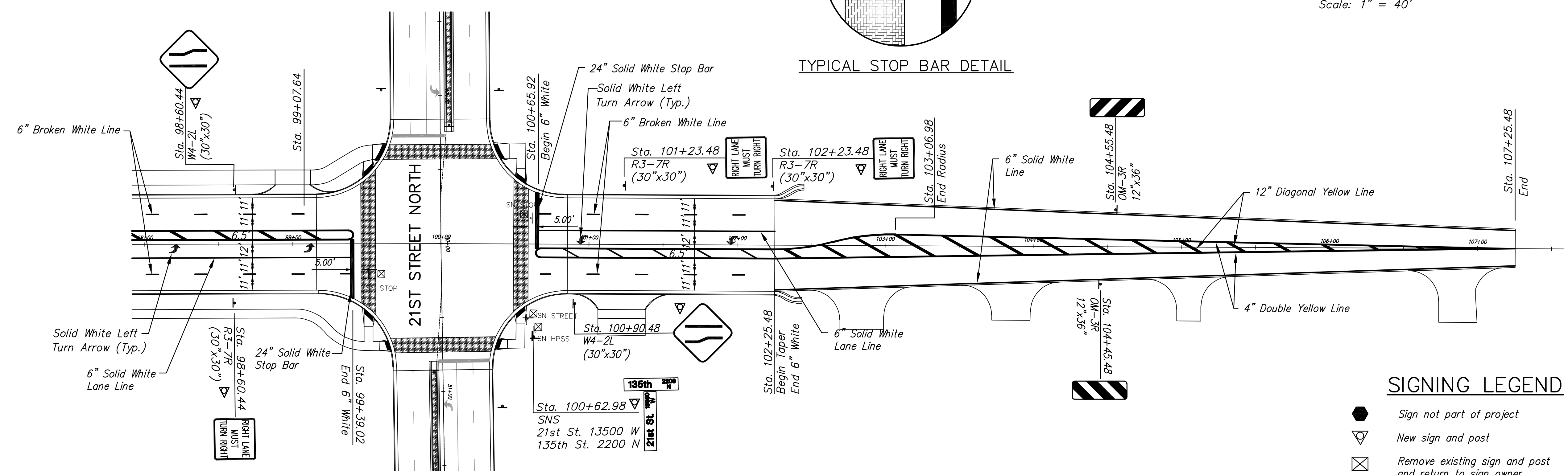
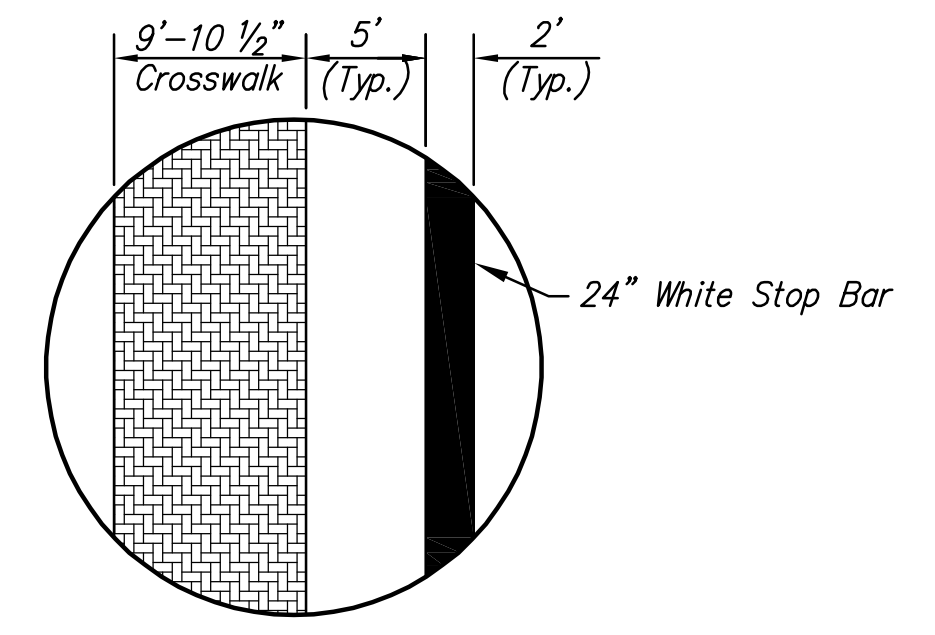
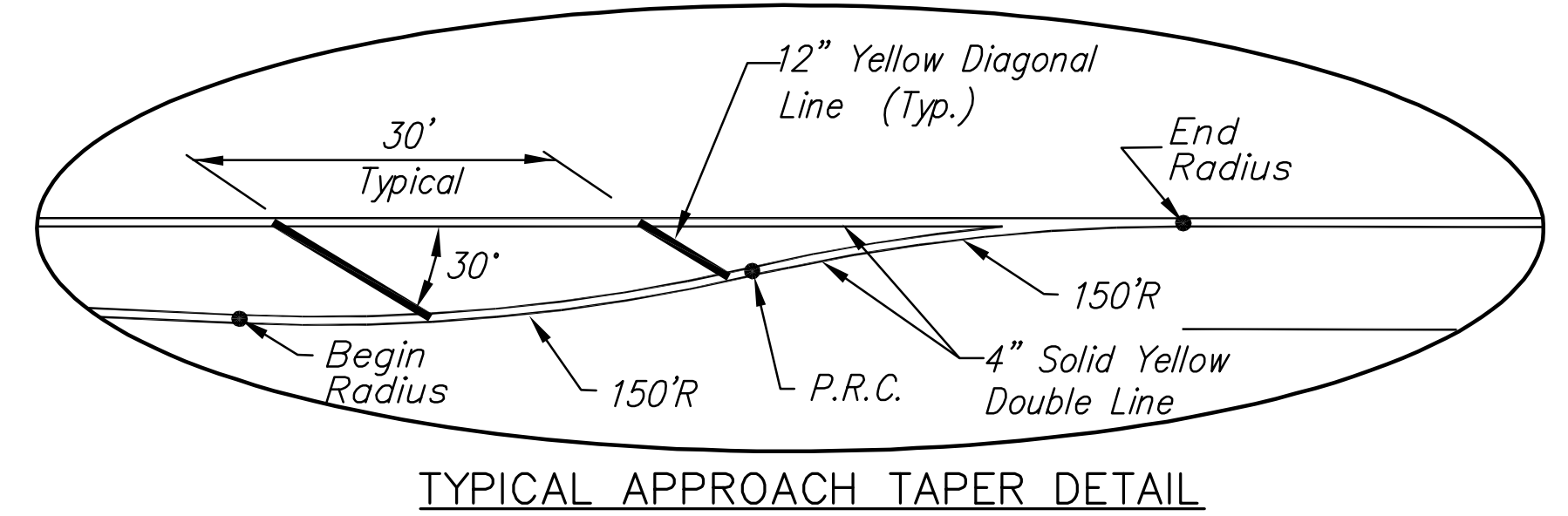
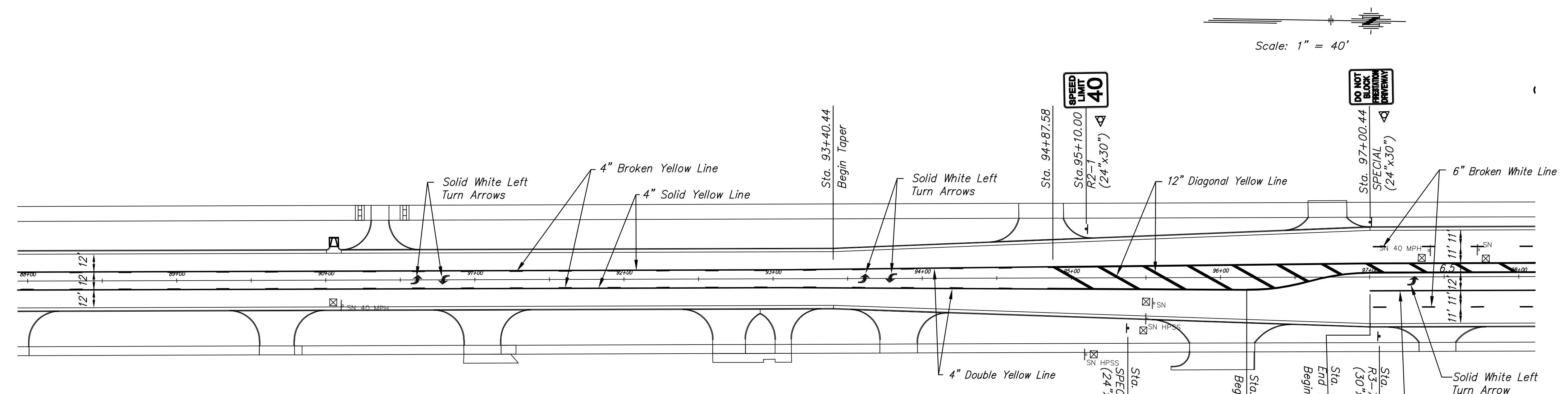
PAVEMENT MARKING & SIGNING PLAN

SHEET TITLE
MKEC PROJ #10265
PROJECT NUMBER

DESIGN BY: JRA
DRAWN BY: WNU
CHECKED BY: JRA

ISSUED: February 2012
REVISED:

SHEET NO.
141 of 231



SIGNING LEGEND

- Sign not part of project
- New sign and post
- Remove existing sign and post and return to sign owner

NOTE:
Coordinate with sign owner prior to the removal of utility company and private signs.

PLOTTED: Thursday, February 16, 2012 11:33AM

J:\Civil\10265\DWG\Marking\10265-m03