

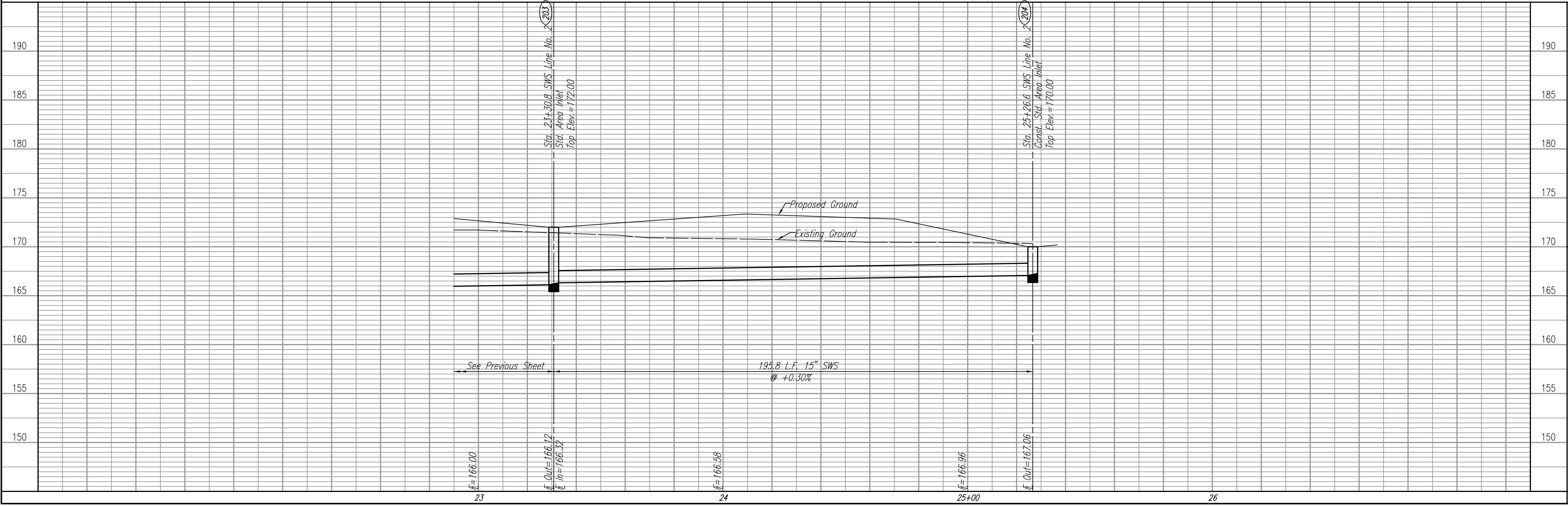
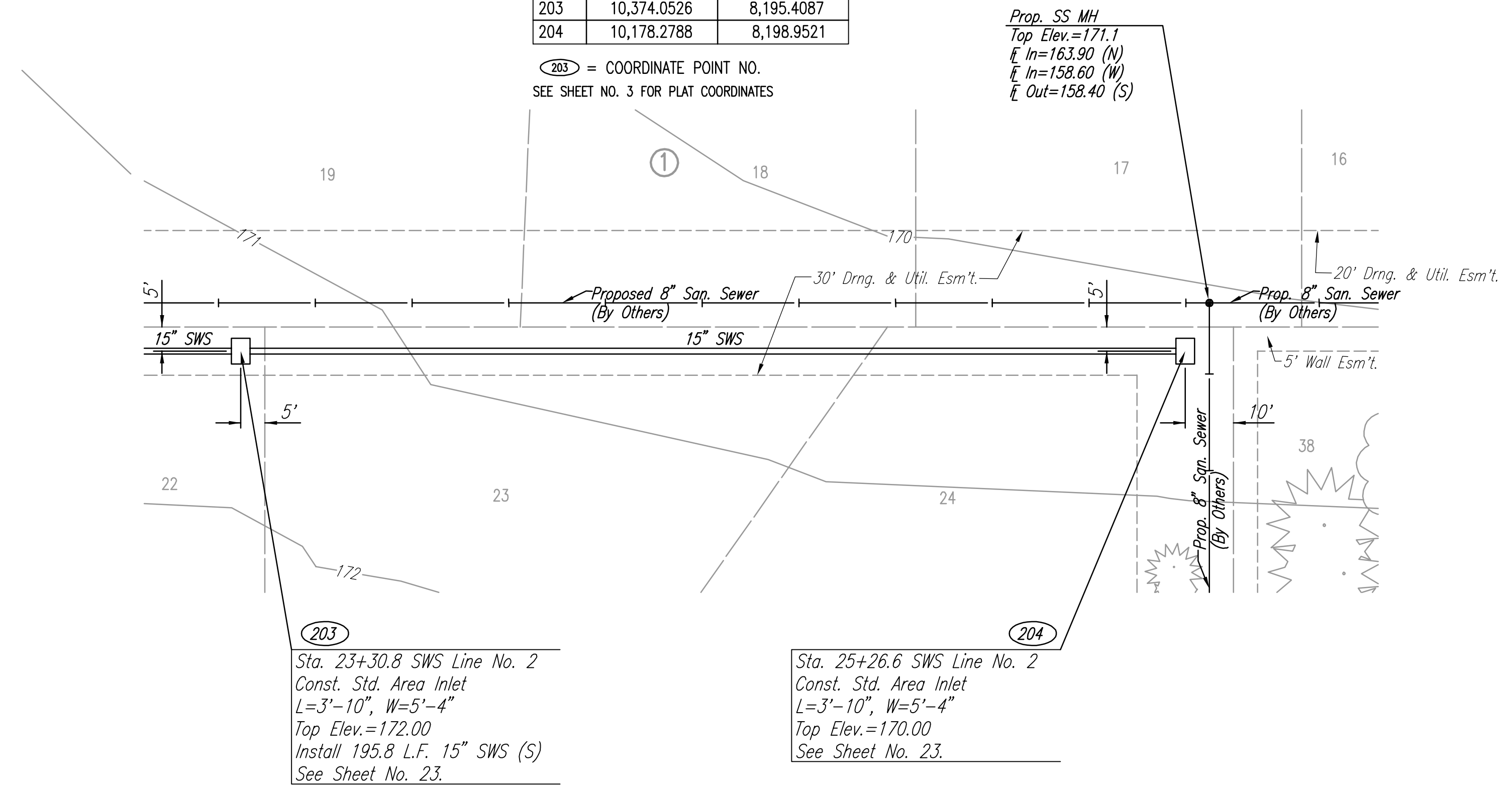
PLAN	CHECKED	DATE
	CHECKED	
BY		

PROFILE	CHECKED	DATE
	CHECKED	
BY		

DSNR: BDB OPR: BJS SCALE: 1"=20.00
 C:\2004\04171\000\SWS\LINE2-2 08-11-2004 02:48:38 pm

COORDINATE LIST		
POINT	NORTH	EAST
203	10,374.0526	8,195.4087
204	10,178.2788	8,198.9521

②03 = COORDINATE POINT NO.
 SEE SHEET NO. 3 FOR PLAT COORDINATES



PRAIRIE POINTE-PHASE 1

SWS LINE NO. 2

Professional Engineering Consultants, P.A.
 303 S. TOPEKA, WICHITA, KANSAS 67202
 316-262-2691 • FAX 316-262-3063

Designed By: BDB
 Drawn By: BUS

Job No.: 35-04171-000
 Date: MAY 2002

JAMES L. ARMOUR, P.E.-ACTING CITY ENGINEER
 CITY OF WICHITA PROJECT NO. 472-84023

Sheet 20 of 50