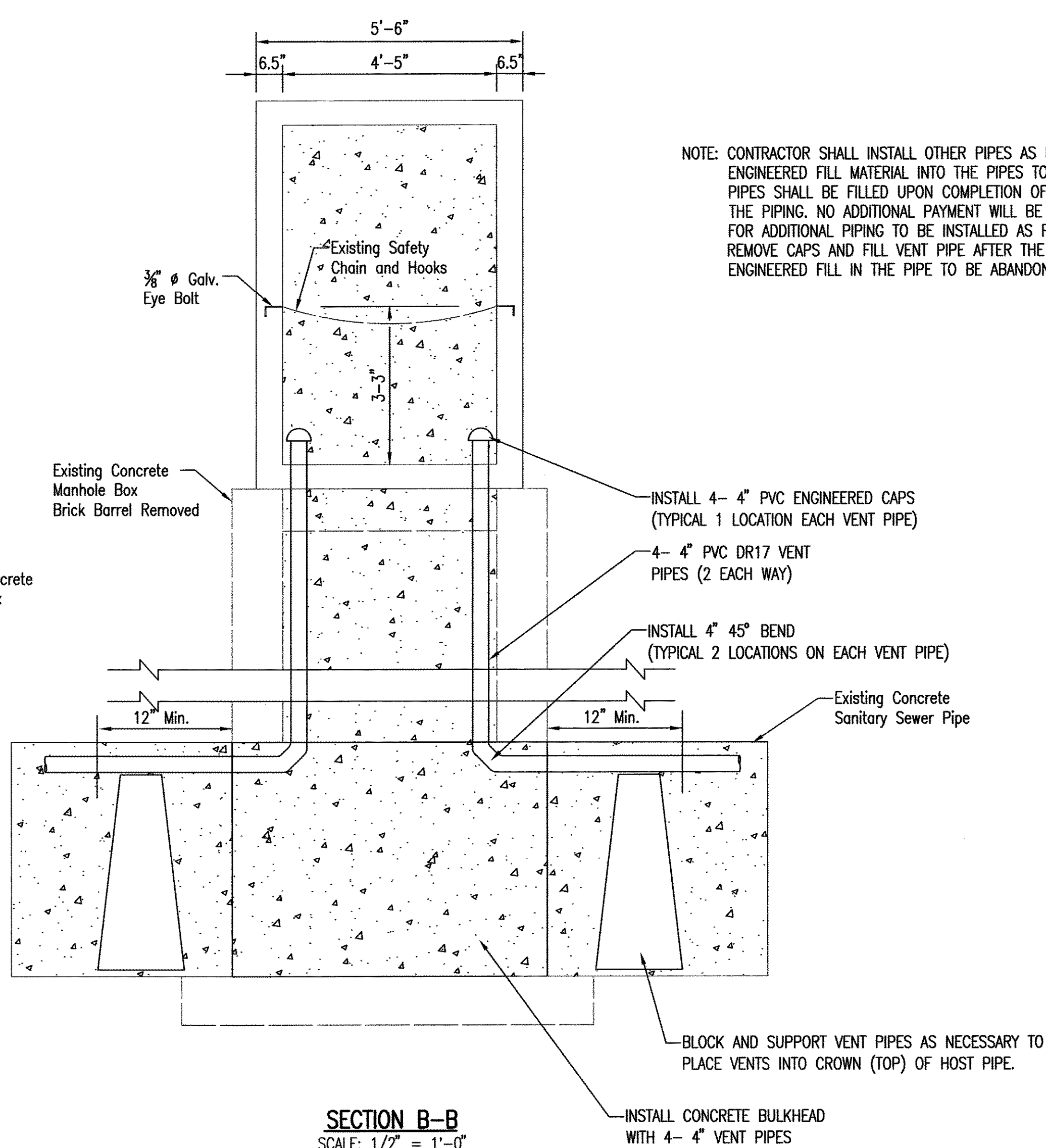
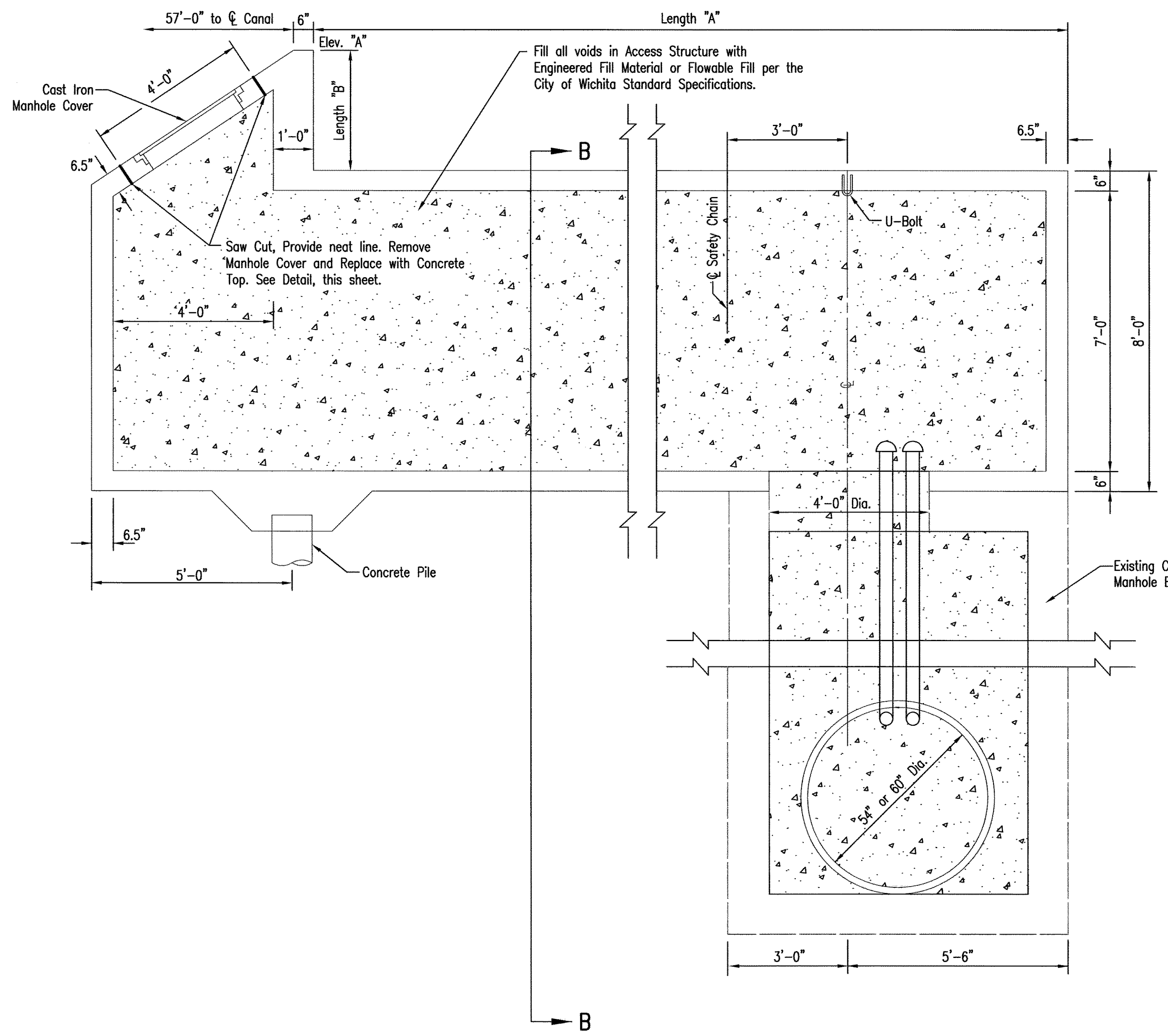
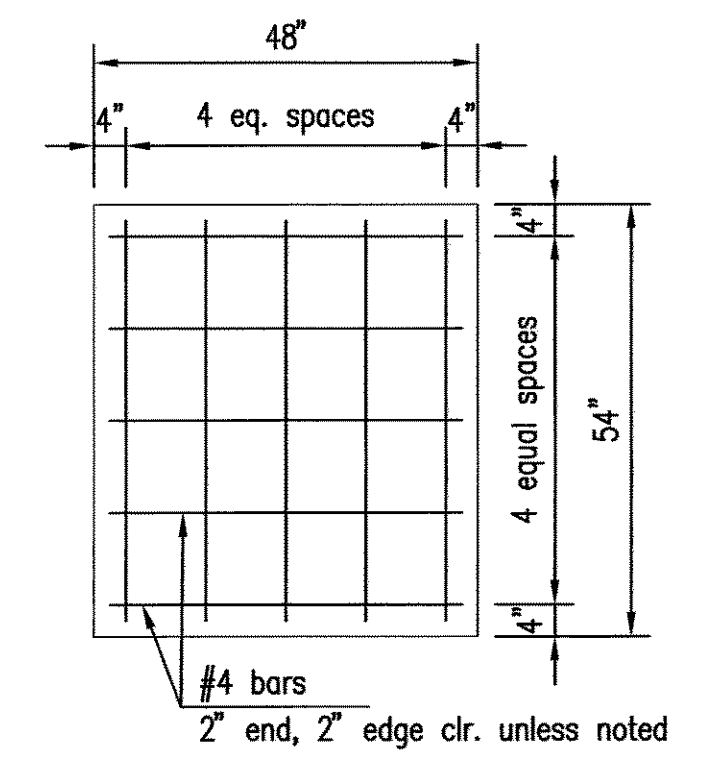
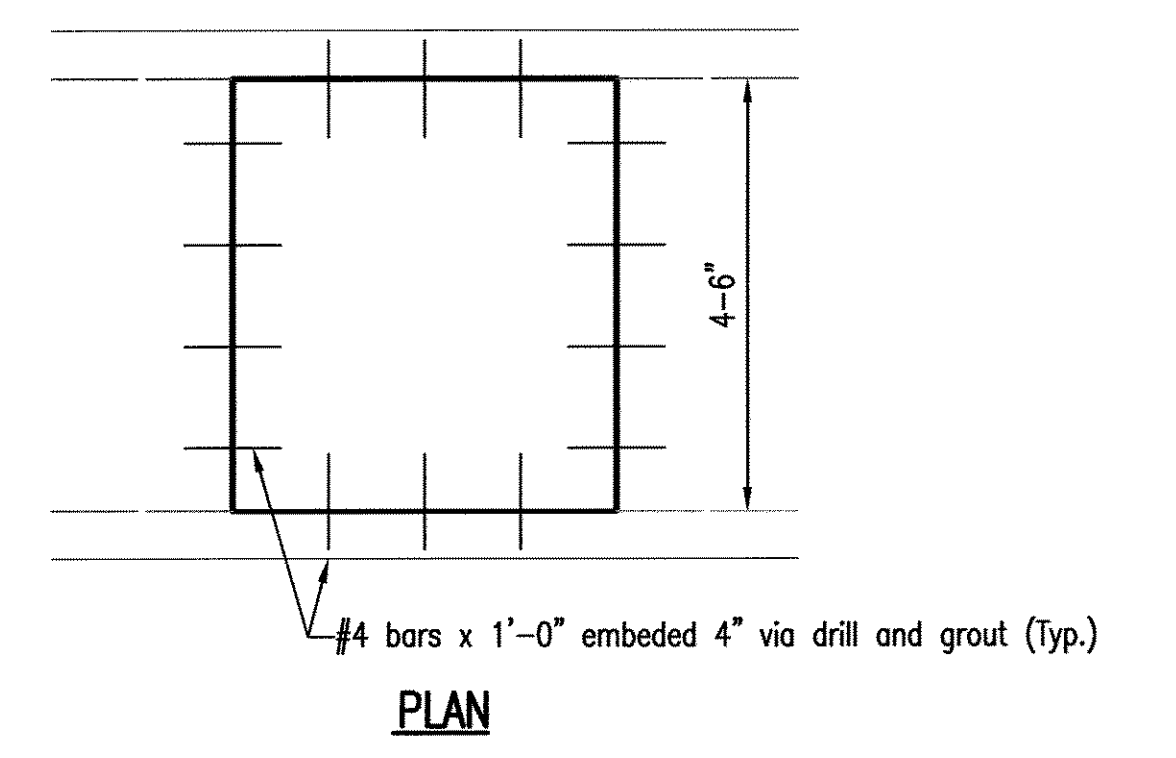
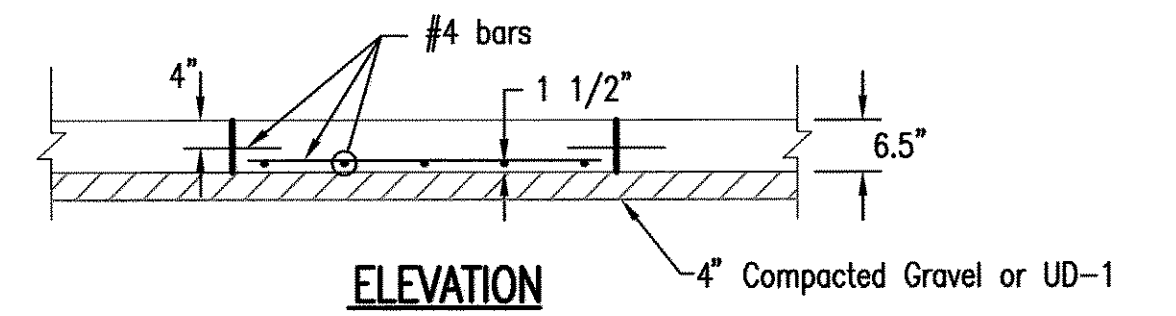


OFFSET MANHOLE SCHEDULE				
NEW PLAN MH LABEL	LENGTH "A"	LENGTH "B"	ELEVATION "A"	CONCRETE PILE LENGTH
MH "D"	43.00'	1.45'	86.10'	18.25'
MH "E"	38.00'	1.92'	86.67'	18.65'
MH "F"	19.00'	2.24'	87.08'	18.74'
MH "R"	18.00'	3.31'	92.59'	21.28'
MH "G"	11.00'	2.48'	87.58'	19.20'
MH "H"	10.00'	2.57'	87.77'	NONE
MH "F"	8.00'	2.30'	88.31'	NONE
MH "J"	6.00'	2.35'	88.85'	NONE
MH "K"	5.00'	2.79'	89.39'	NONE
MH "M"	8.00'	2.89'	90.45'	NONE
MH "N"	11.00'	3.14'	90.99'	22.44'
MH "O"	14.00'	3.10'	91.53'	22.03'
MH "P"	16.00'	3.07'	92.05'	22.18'
MH "S"	19.00'	2.74'	92.80'	22.26'
MH "T"	22.00'	2.65'	93.11'	21.66'
MH "U"	27.00'	2.27'	93.65'	21.58'
MH "V"	28.00'	2.14'	94.18'	21.24'
MH "W"	36.00'	2.14'	94.71'	22.37'
MH "Y"	41.00'	1.40'	95.77'	22.37'
MH "Z"	40.00'	1.49'	96.32'	22.34'
MH "Q"	18.00'	3.36'	92.42'	22.20'

NOTE: LENGTH "A" AND "B" SHALL BE FIELD VERIFIED WITH EXISTING MANHOLE LOCATION.



NOTE: CONTRACTOR SHALL INSTALL OTHER PIPES AS REQUIRED TO PUMP ENGINEERED FILL MATERIAL INTO THE PIPES TO BE ABANDONED. ALL PIPES SHALL BE FILLED UPON COMPLETION OF ABANDONMENT WORK OF THE PIPING. NO ADDITIONAL PAYMENT WILL BE MADE TO THE CONTRACTOR FOR ADDITIONAL PIPING TO BE INSTALLED AS PART OF THIS WORK. REMOVE CAPS AND FILL VENT PIPE AFTER THE PLACEMENT OF THE ENGINEERED FILL IN THE PIPE TO BE ABANDONED.

Saved: 01-13-2012 11:46:26 AM by CSL  
 Plot Scale: 1/2" = 1'-0"  
 2/2/2012 10:50:00 AM (User: S:\7600-001-C17-Offset Manhole Abandonment Details)

	No.	Revision	By	Date	
	<b>RELOCATION OF SANITARY SEWER NO. 23</b> <b>PHASE 3: ABANDONMENT PLANS</b> <b>OFFSET MANHOLE ABANDONMENT DETAILS</b>				
	JAMES L. ARMOUR, P.E. - CITY ENGINEER CITY OF WICHITA PROJECT NO. 468-84375b				
	PROFESSIONAL ENGINEERING CONSULTANTS, P.A. 303 SOUTH TOPEKA WICHITA, KS 67202 316-262-2691 www.pec1.com				
Designed by	MDK, SAD	Job No.	35-07600-001	Sht. 17 of 20	
Drawn by	CSL, JAN	Date	SEPTEMBER 2011		