

WATER METER REPLACEMENT & ADJUSTMENT TABLE							
House #	Street	Ex. B.L. Station	Ex. Offset	Prop. B.L. Station	Prop. Offset	Service	Remarks
5155	Meadowview	2+08	20' Lt.	---	---	Short	Remove & Replace
5154	Meadowview	2+14	19' Rt.	---	---	Long	---
5151	Meadowview	2+64	20' Lt.	---	---	Short	---
5150	Meadowview	2+69	20' Rt.	---	---	Long	---
5145	Meadowview	3+24	21' Lt.	---	---	Short	---
5144	Meadowview	3+51	19' Rt.	---	---	Long	---
5139	Meadowview	3+83	22' Lt.	---	---	Short	---
5138	Meadowview	3+91	19' Rt.	---	---	Long	---
5133	Meadowview	4+43	20' Lt.	---	---	Short	---
5132	Meadowview	4+63	20' Rt.	---	---	Long	---
5127	Meadowview	5+08	23' Lt.	---	---	Short	---
5126	Meadowview	5+14	19' Rt.	---	---	Long	---
5120	Meadowview	5+62	18' Rt.	---	---	Long	---
5121	Meadowview	5+71	22' Lt.	---	---	Short	---
5100	Meadowview	6+22	19' Rt.	---	---	Long	---
5101	Meadowview	6+60	21' Lt.	---	---	Short	---
5048	Meadowview	6+94	20' Rt.	---	---	Long	---
5047	Meadowview	7+29	21' Lt.	---	---	Short	---
5046	Meadowview	7+49	18' Rt.	---	---	Long	---
5045	Meadowview	7+80	19' Lt.	---	---	Short	---
5042	Meadowview	7+94	19' Rt.	---	---	Long	---
5040	Meadowview	8+48	19' Rt.	---	---	Long	---
5043	Meadowview	8+61	21' Lt.	---	---	Short	---
5038	Meadowview	9+00	18' Rt.	---	---	Long	---
5039	Meadowview	9+42	22' Lt.	---	---	Short	---
5036	Meadowview	9+60	19' Rt.	---	---	Long	---
5037	Meadowview	10+12	21' Lt.	---	---	Short	---
5034	Meadowview	10+30	18' Rt.	---	---	Long	---
5033	Meadowview	10+82	22' Lt.	---	---	Short	---
5028	Meadowview	10+87	18' Rt.	---	---	Long	---
5022	Meadowview	11+30	18' Rt.	---	---	Long	---
5021	Meadowview	11+86	20' Lt.	---	---	Short	---
5016	Meadowview	11+92	19' Rt.	---	---	Long	---
5015	Meadowview	12+43	20' Lt.	---	---	Short	---
5010	Meadowview	12+53	20' Rt.	---	---	Long	---
5011	Meadowview	13+04	20' Lt.	---	---	Short	---
5004	Meadowview	13+09	19' Rt.	---	---	Long	---
4993	Meadowview	15+49	21' Lt.	---	---	Short	---
4992	Meadowview	15+53	20' Rt.	---	---	Long	---
4988	Meadowview	16+11	20' Rt.	---	---	Long	---
4989	Meadowview	16+12	20' Lt.	---	---	Short	---
4983	Meadowview	16+70	22' Lt.	---	---	Short	---
4982	Meadowview	16+71	19' Rt.	---	---	Long	---
4978	Meadowview	17+31	20' Rt.	---	---	Long	---
4979	Meadowview	17+43	21' Lt.	---	---	Short	---
4973	Meadowview	17+86	21' Lt.	---	---	Short	---
4972	Meadowview	17+87	20' Rt.	---	---	Long	---
4968	Meadowview	18+48	19' Rt.	---	---	Long	---
4967	Meadowview	18+51	20' Lt.	---	---	Short	---
4959	Meadowview	19+15	21' Lt.	---	---	Short	---
4960	Meadowview	19+27	20' Rt.	---	---	Long	---
4945	Meadowview	19+58	24' Lt.	---	---	Short	---
4930	Meadowview	20+04	18' Rt.	---	---	Long	---
4931	Meadowview	20+09	22' Lt.	---	---	Short	---
4923	Meadowview	20+71	21' Lt.	---	---	Short	---
4920	Meadowview	20+73	17' Rt.	---	---	Long	---
4917	Meadowview	21+35	22' Lt.	---	---	Short	---
4916	Meadowview	21+54	18' Rt.	---	---	Long	---
4915	Meadowview	21+81	23' Lt.	---	---	Short	---
4912	Meadowview	22+28	20' Rt.	---	---	Long	---
4907	Meadowview	22+53	23' Lt.	---	---	Short	---
4906	Meadowview	22+82	20' Rt.	---	---	Long	---
4905	Meadowview	23+14	22' Lt.	---	---	Short	---
4904	Meadowview	23+43	19' Rt.	---	---	Long	---
2937	Oaklawn Dr	0+60	22' Rt.	---	---	Long	---
3007	Oaklawn Dr	2+98	21' Rt.	---	---	Long	---
3006	Oaklawn Dr	3+14	28' Lt.	---	---	Short	---
3010	Oaklawn Dr	3+45	27' Lt.	---	---	Short	---
3011	Oaklawn Dr	3+50	22' Rt.	---	---	Long	---
3032	Oaklawn Dr	5+51	25' Lt.	---	---	Short	---
3033	Oaklawn Dr	5+53	22' Rt.	---	---	Long	---
3036	Oaklawn Dr	5+98	25' Lt.	---	---	Short	---
3037	Oaklawn Dr	6+01	21' Rt.	---	---	Long	---
3107	Oaklawn Dr	8+00	21' Rt.	---	---	Long	---
3106	Oaklawn Dr	8+02	27' Lt.	---	---	Short	---
3110	Oaklawn Dr	8+45	26' Lt.	---	---	Short	---
3111	Oaklawn Dr	8+51	21' Rt.	---	---	Long	---
3207	Oaklawn Dr	10+52	21' Rt.	---	---	Long	---
3206	Oaklawn Dr	10+52	27' Lt.	---	---	Short	---
3210	Oaklawn Dr	10+97	27' Lt.	---	---	Short	---
3211	Oaklawn Dr	11+05	21' Rt.	---	---	Long	---
3300	Oaklawn Dr	12+56	27' Lt.	---	---	Short	---
3311	Oaklawn Dr	12+92	20' Rt.	---	---	Long	---
3315	Oaklawn Dr	13+34	21' Rt.	---	---	Long	---
3312	Oaklawn Dr	13+53	28' Lt.	---	---	Short	---

WATER METER REPLACEMENT & ADJUSTMENT TABLE							
House #	Street	Ex. B.L. Station	Ex. Offset	Prop. B.L. Station	Prop. Offset	Service	Remarks
3317	Oaklawn Dr	13+90	21' Rt.	---	---	Long	---
3322	Oaklawn Dr	14+25	28' Lt.	---	---	Short	---
3321	Oaklawn Dr	14+42	20' Rt.	---	---	Long	---
3327	Oaklawn Dr	14+95	20' Rt.	---	---	Long	---
3328	Oaklawn Dr	15+01	24' Lt.	---	---	Short	---
3333	Oaklawn Dr	15+48	21' Rt.	---	---	Long	---
3334	Oaklawn Dr	15+60	23' Lt.	---	---	Short	---
3000	Fairhaven	1+61	21' Lt.	---	---	Short	---
3007	Fairhaven	2+00	19' Rt.	---	---	Long	---
3006	Fairhaven	2+43	20' Lt.	---	---	Short	---
3011	Fairhaven	2+56	20' Rt.	---	---	Long	---
3012	Fairhaven	2+78	21' Lt.	---	---	Short	---
3018	Fairhaven	3+40	21' Lt.	---	---	Short	---
3024	Fairhaven	4+21	21' Lt.	---	---	Short	---
3033	Fairhaven	4+44	18' Rt.	---	---	Long	---
3030	Fairhaven	4+78	21' Lt.	---	---	Short	---
3037	Fairhaven	5+00	19' Rt.	---	---	Long	---
3036	Fairhaven	5+34	22' Lt.	---	---	Short	---
3042	Fairhaven	5+87	21' Lt.	---	---	Short	---
3100	Fairhaven	6+53	20' Lt.	---	---	Short	---
3107	Fairhaven	7+09	19' Rt.	---	---	Long	---
3106	Fairhaven	7+14	21' Lt.	---	---	Short	---
3111	Fairhaven	7+58	18' Rt.	---	---	Long	---
3112	Fairhaven	7+76	21' Lt.	---	---	Short	---
3118	Fairhaven	8+26	21' Lt.	---	---	Short	---
3200	Fairhaven	8+94	21' Lt.	---	---	Short	---
3206	Fairhaven	9+55	21' Lt.	---	---	Short	---
3207	Fairhaven	9+57	21' Rt.	---	---	Long	---
3212	Fairhaven	10+12	22' Lt.	---	---	Short	---
3211	Fairhaven	10+16	20' Rt.	---	---	Long	---
3218	Fairhaven	10+73	21' Lt.	---	---	Short	---
3300	Fairhaven	11+19	21' Lt.	---	---	Short	---
3306	Fairhaven	11+95	22' Lt.	---	---	Short	---
3307	Fairhaven	12+19	20' Rt.	---	---	Long	---
3312	Fairhaven	12+55	21' Lt.	---	---	Short	---
3311	Fairhaven	12+66	19' Rt.	---	---	Long	---
3318	Fairhaven	13+04	21' Lt.	---	---	Short	---
4837	Cedardale	23+24	21' Lt.	---	---	Short	---
4831	Cedardale	23+97	19' Lt.	---	---	Short	---
4819	Cedardale	25+05	18' Lt.	---	---	Short	---
4811	Cedardale	25+56	20' Lt.	---	---	Short	---
4801	Cedardale	26+11	20' Lt.	---	---	Short	---

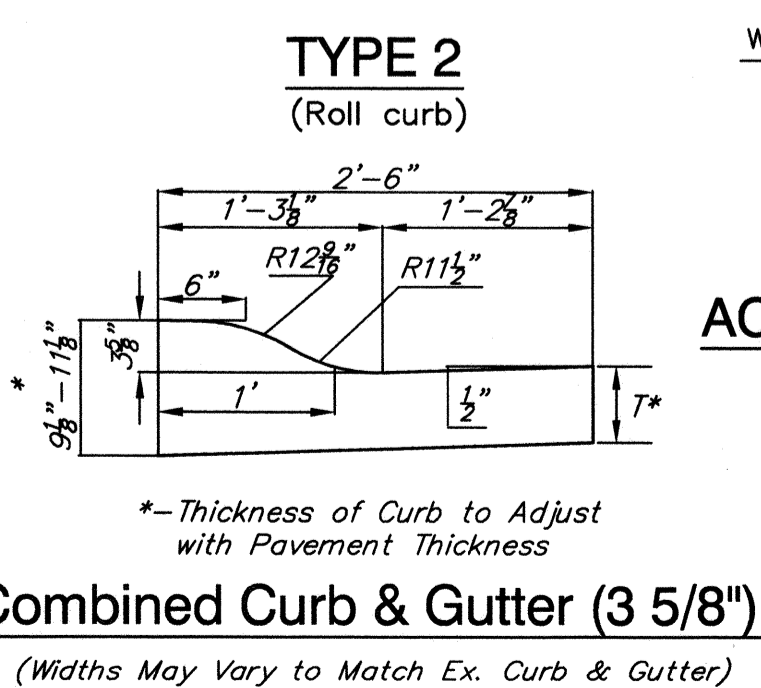
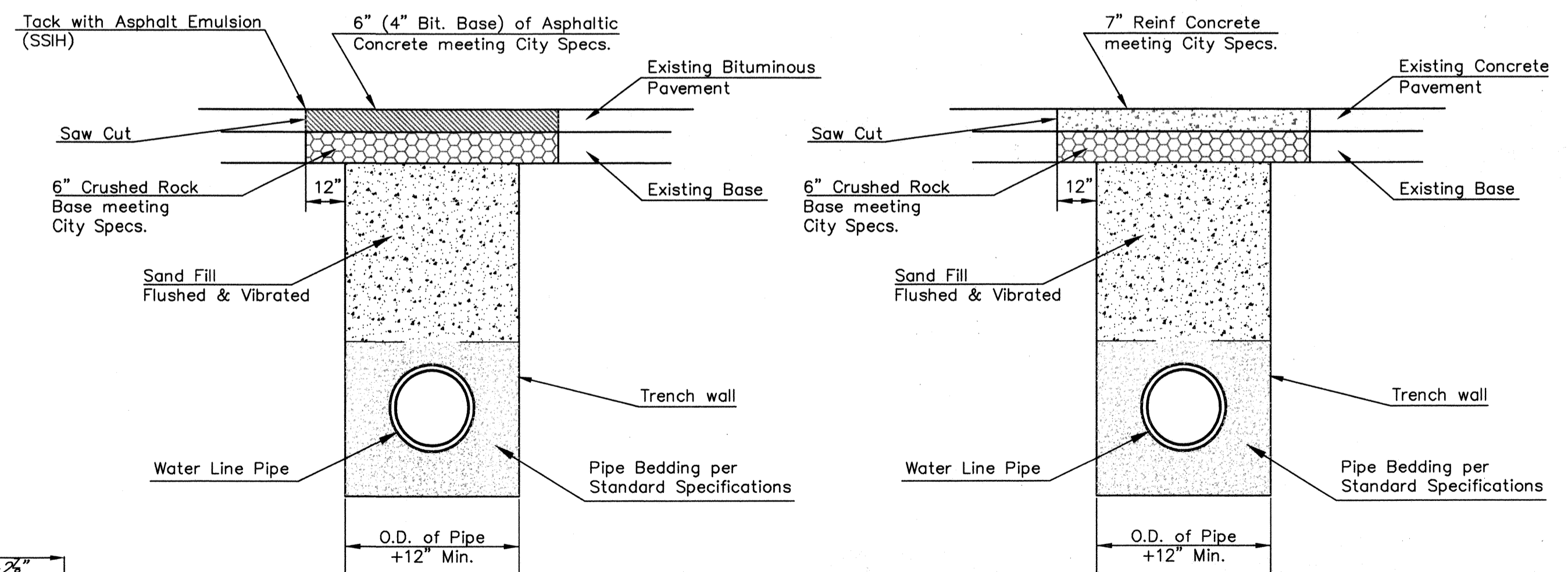
FIRE HYDRANTS REQUIRED				
STATION	BURY LINE ELEVATION	TOP OF PIPE ELEVATION	FIRE HYDRANT BURY REQUIRED*	VALVE STEM EXT. REQUIRED (ft)*
4+58.50, Line 2	1268.7	1262.66	5.5'	2.0'
8+77.00, Line 2	1269.1	1263.13	6.5'	2.0'
13+10.00, Line 2	1269.1	1263.00	7.0'	2.0'
16+16.00, Line 2	1269.3	1262.63	7.5'	2.5'
20+05.00, Line 2	1269.7	1261.96	8.5'	4.0'
1+30.00, Line 3	1267.5	1262.25	6.0'	1.0'
3+72.82, Line 3	1268.2	1262.49	6.5'	1.5'
11+25.00, Line 3	1269.1	1264.25	5.5'	1.0'
0+05.00, Line 3b	1268.6	1263.16	6.0'	1.0'
15+52.50, Line 3	1269.7	1263.40	7.0'	2.0'
3+40.00, Line 4	1268.8	1264.02	4.5'	0.5'
7+67.07, Line 4	1269.0	1264.68	5.0'	0.5'
12+72.50, Line 4	1269.9	1265.74	5.0'	---
0+05.00, Line 4b	1269.6	1266.00	4.5'	---
0+30.00, Line 5	1268.2	1263.76	5.0'	0.5'
4+12.31, Line 5	1269.4	1262.89	7.0'	2.5'

FIRE HYDRANTS TO BE REMOVED			
HOUSE NUMBER	STREET	BASE LINE STATION	OFFSET
3010	Oaklawn Drive	4+26	29' Lt.
3110	Oaklawn Drive	9+26	30' Lt.
3018	Fairhaven	3+68	25' Lt.
3118	Fairhaven	8+50	25' Lt.
3318	Fairhaven	13+71	26' Lt.
4811	Cedardale	25+38	21' Lt.

TURF RESTORATION	
RESTORATION	AREA (Sq. Yds)
Seeding (See Sheet 4)	300
Sodding	450

The quantities in this table are FOR INFORMATION ONLY. All cost associated with the Seeding & Sodding activities shall not be paid for directly, but shall be SUBSIDIARY to the Lump Sum Bid item for each.

RECAPITULATION OF PROJECT QUANTITIES		
ITEM	QUANTITY TOTAL	UNIT
MEASURED QUANTITY BID ITEMS - WATERLINE		
PIPE, WL 8"	5,925	L.F.
PIPE, WL 12"	378	L.F.
PIPE, DICL 2"	8	L.F.
PIPE, DICL 4"	22	L.F.
PIPE, DICL 6"	10	L.F.
PIPE, DICL 8"	42	L.F.
PIPE, DICL 12"	5	L.F.
FILL, SAND (Flushed and Vibrated)	1,000	L.F.
CONCRETE ENCASEMENT 8", REINFORCED	140	L.F.
FIRE HYDRANT ASSEMBLY	16	Each
FIRE HYDRANT REMOVAL	6	Each
VALVE ASSEMBLY, BLOWOFF 2"	4	Each
VALVE ASSEMBLY, AIR RELEASE 1"	1	Each
VALVE ASSEMBLY, GATE 8"	5	Each
VALVE ASSEMBLY, ANCHORED 8"	16	Each
SERVICE LINE, LONG 1"	58	Each
SERVICE LINE, SHORT 1"	69	Each
MEASURED QUANTITY BID ITEMS - SANITARY SEWER		
PIPE, PVC 4"	1,440	L.F.
LUMP SUM BID ITEMS - WATERLINE		
MOBILIZATION	1	Lump Sum
SITE CLEARING	1	Lump Sum
SITE RESTORATION	1	Lump Sum
SEEDING	1	Lump Sum
SODDING	1	Lump Sum
ABANDON EXISTING SYSTEM	1	Lump Sum
LUMP SUM BID ITEMS - TRAFFIC		
TRAFFIC CONTROL	1	Lump Sum
MEASURED QUANTITY BID ITEMS - PAVING		
CONCRETE &/or ASPHALT PAVEMENT REMOVED	210	S.Y.
CONCRETE &/or ASPHALT SDWLK, DR,&/or PKG LOT REM'D	475	S.Y.
CONCRETE CURB & GUTTER REMOVED	700	L.F.
CONCRETE PAVEMENT 9" (REINFORCED)	10	S.Y.
CONCRETE PAVEMENT (VG) 7" (REINF)	25	S.Y.
AC PAVEMENT 6" (4" Bit. Base)	175	S.Y.
CRUSHED ROCK BASE 6"	210	S.Y.
CONCRETE DRIVEWAY 6" (REINFORCED)	100	S.F.
CONCRETE C & G, COMB. TYPE 2 (3 5/8" RL & 1-1/2")	700	L.F.
CONCRETE SIDEWALK 4"	4,000	S.F.
MEASURED QUANTITY BID ITEMS - EROSION CONTROL		
BMP, CURB INLET PROTECTION	3	Each
BMP, BACK OF CURB PROTECTION	1,000	L.F.



Combined Curb & Gutter (3 5/8")
(Widths May Vary to Match Ex. Curb & Gutter)