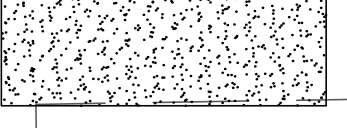
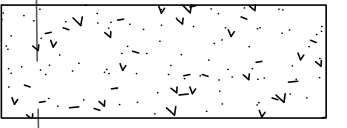
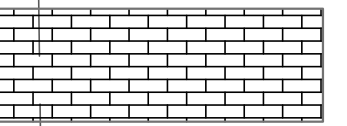
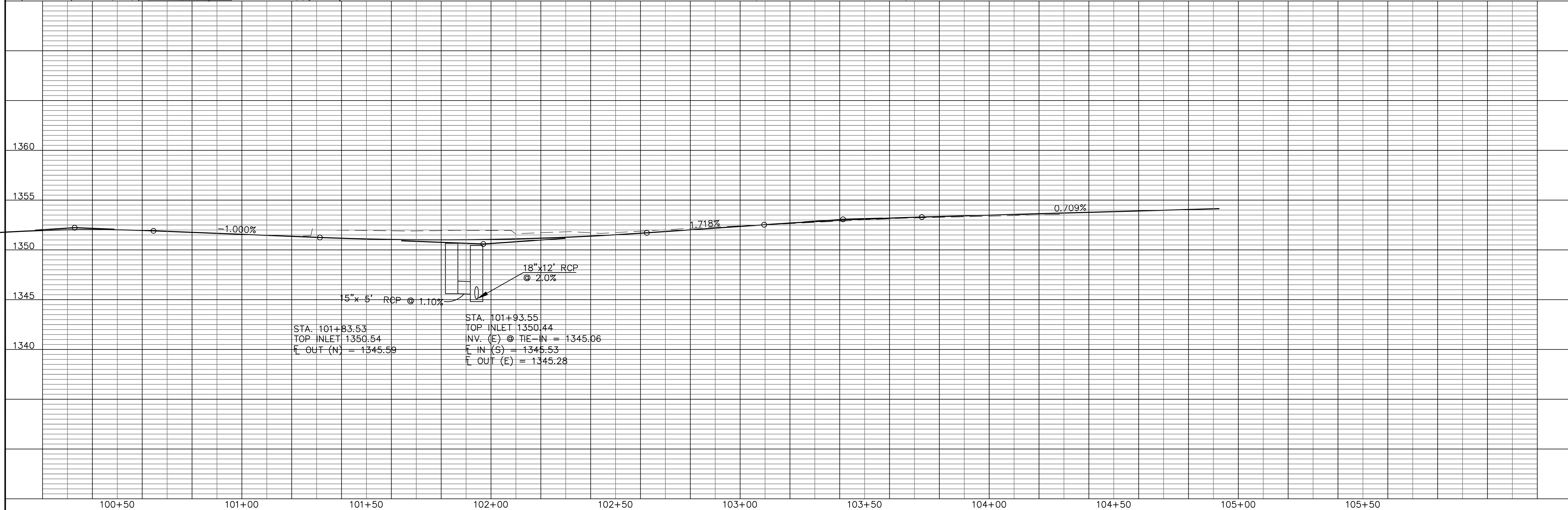
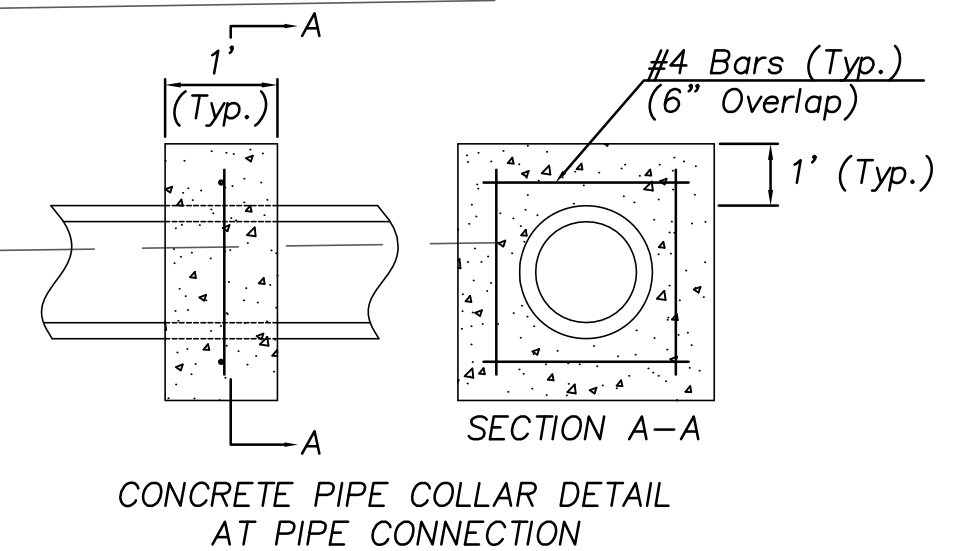


STA. 101+83.53; CONST.  
CURB INLET (TYPE I) 53.23' LT.  
(INLET OPENING 6"x5")  
INSTALL 15" x 5' RCP (N)

STA. 101+93.55; CONST.  
CURB INLET (TYPE I) 53.23' LT.  
(INLET OPENING 6"x5")  
INSTALL 18" x 12' RCP (E)  
CONNECT TO EXIST. 18" RCP  
WITH PIPE COLLAR SEE DETAIL  
THIS SHEET

**LEGEND**

-  NEW ASPHALT PAVEMENT
-  NEW CONCRETE PAVEMENT
-  SOLID INTERLOCKING CONCRETE PAVING UNITS



STA. 101+83.53  
TOP INLET 1350.54  
OUT (N) = 1345.59

STA. 101+93.55  
TOP INLET 1350.44  
INV. (E) @ TIE-IN = 1345.06  
IN (S) = 1345.53  
OUT (E) = 1345.28

REVISED

SEAL:

Cook, Flatt & Strobel  
ENGINEERS, P.A.

CFS PROJECT NO:  
06-507

CITY OF WICHITA, KANSAS  
**WOODLAWN ROAD**  
KELLOGG TO WILLOWBROOK

SHEET TITLE:  
**STORM  
SEWER  
PLAN &  
PROFILE**

PROJECT NUMBER  
472-84911

**FINAL  
PLANS**

SHEET NUMBER:  
**13 of 36**